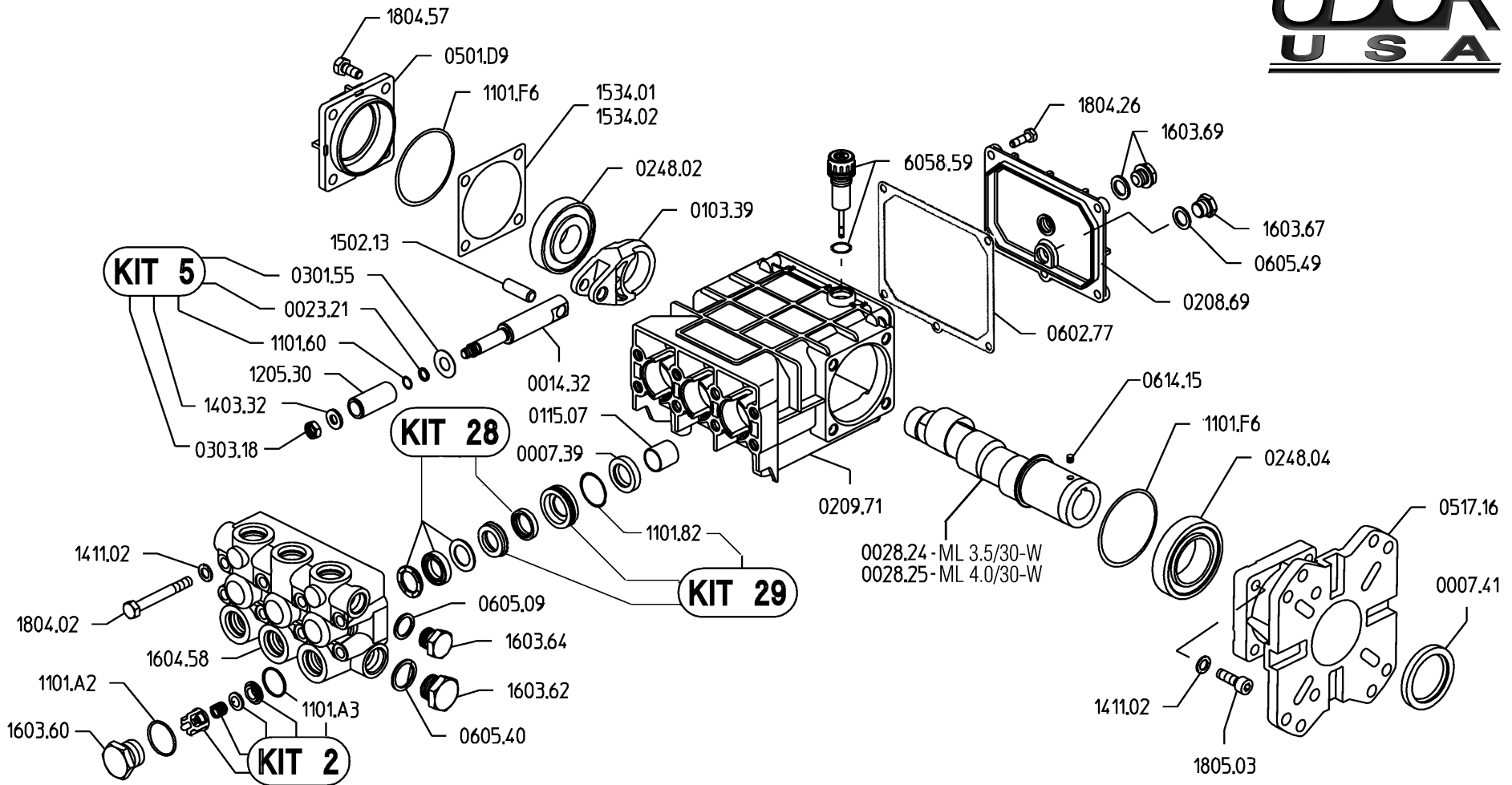


ML 3.5/30-W & ML 4.0/30-W



ML 3.5/30-W & ML 4.0/30-W Quick Reference

Max. Flow ML 3.5/30-W.....3.5 GPM
 ML 4.0/30-W.....4.0 GPM
 Maximum Pressure3000 PSI
 Rated Pump Speed3400 RPM
 Oil Capacity.....20 oz. UDOR LUBE
 or SAE 30W Non-Detergent Oil

Valve Kit04-KIT UD-2
 Seal Kit.....04-KIT UD-28
 Brass Kit04-KIT UD-29
 Plunger Bolt Kit04-KIT UD-5
 Plunger Part #04-1205.30
 Plunger Diameter.....18 MM

ML 3.5/30-W
ML 4.0/30-W