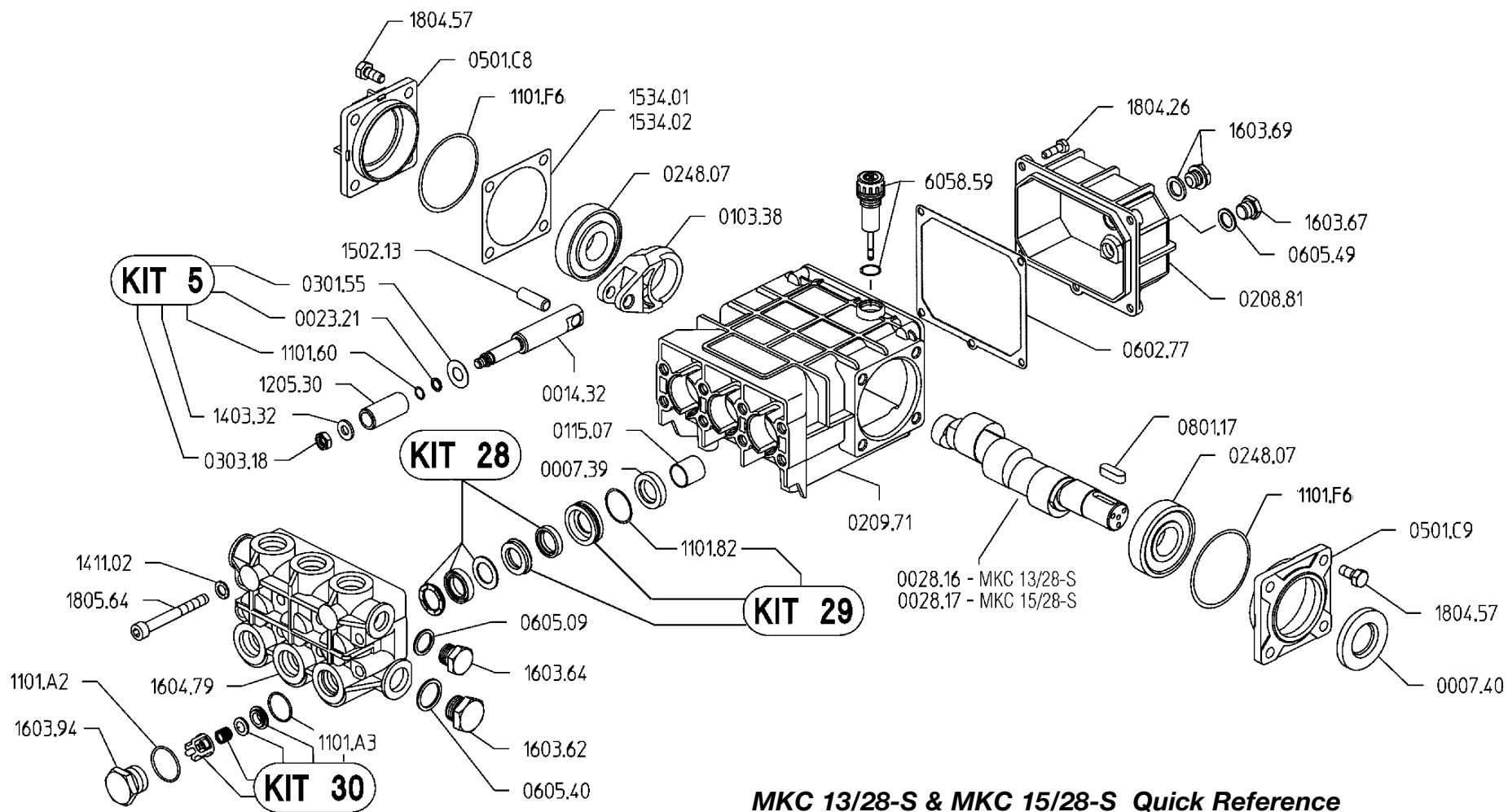


MKC 13/28-S & MKC 15/28-S



MKC 13/28-S & MKC 15/28-S Quick Reference

Max. Flow MKC 13/28-S.....3.5 GPM
 MKC 15/28-S.....4.0 GPM
 Maximum Pressure4000 PSI
 Rated Pump Speed1450 RPM
 Oil Capacity.....28 oz. UDOR LUBE
 or SAE 30W Non-Detergent Oil

Valve Kit04-KIT UD-30
 Seal Kit.....04-KIT UD-28
 Brass Kit04-KIT UD-29
 Plunger Bolt Kit04-KIT UD-5
 Plunger Part #04-1205.30
 Plunger Diameter.....18 MM

MKC 13/28-S
MKC 15/28-S