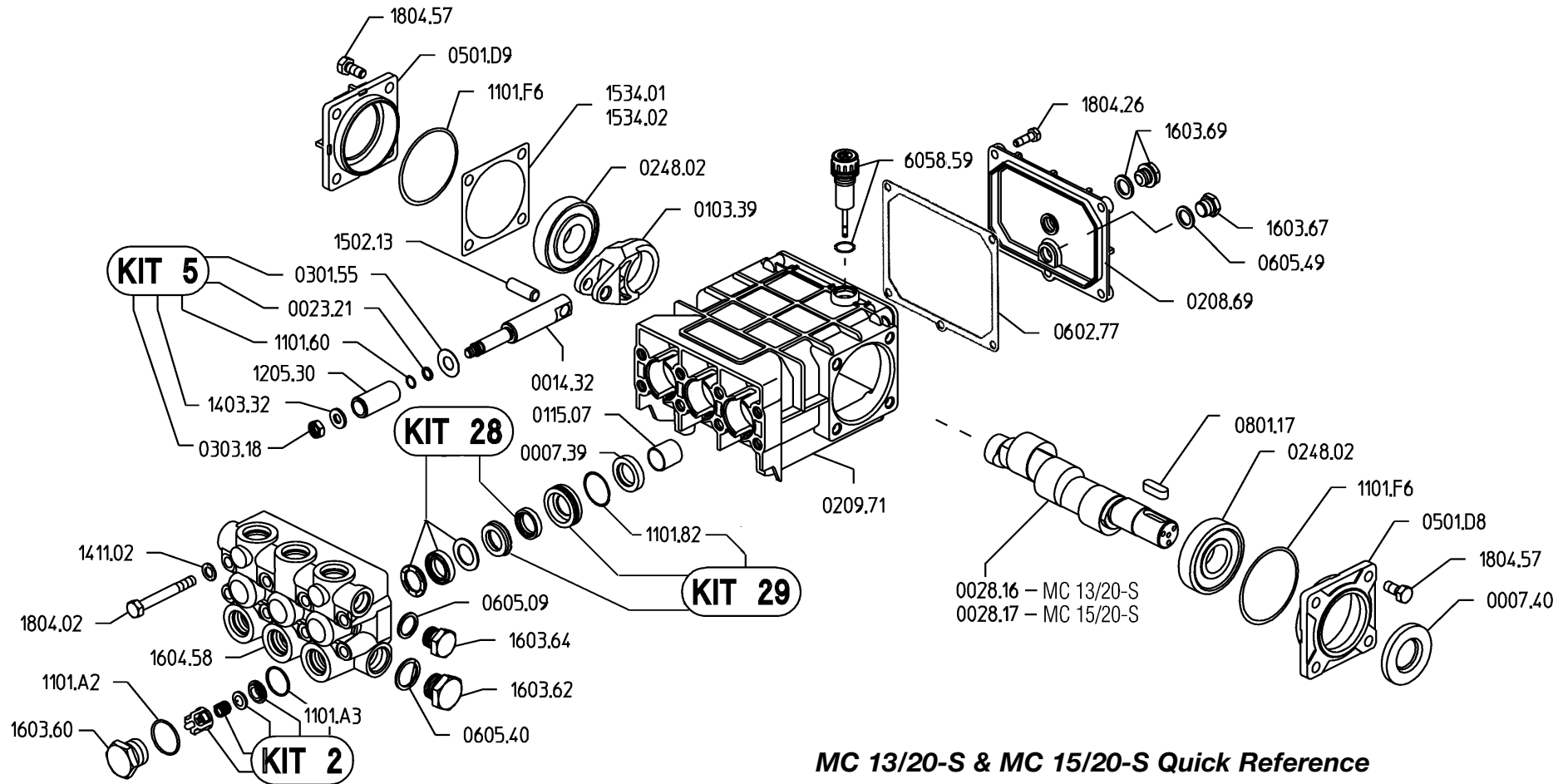


# MC 13/20-S & MC 15/20-S



## MC 13/20-S & MC 15/20-S Quick Reference

Max. Flow	MC 13/20-S .....3.5 GPM	Valve Kit .....	04-KIT UD-2
	MC 15/20-S .....4.0 GPM	Seal Kit.....	04-KIT UD-28
Maximum Pressure .....	3000 PSI	Brass Kit .....	04-KIT UD-29
Rated Pump Speed .....	1450 RPM	Plunger Bolt Kit .....	04-KIT UD-5
Oil Capacity.....	20 oz. UDOR LUBE	Plunger Part # .....	04-1205.30
	or SAE 30W Non-Detergent Oil	Plunger Diameter.....	18 MM

**MC 13/20-S**  
**MC 15/20-S**