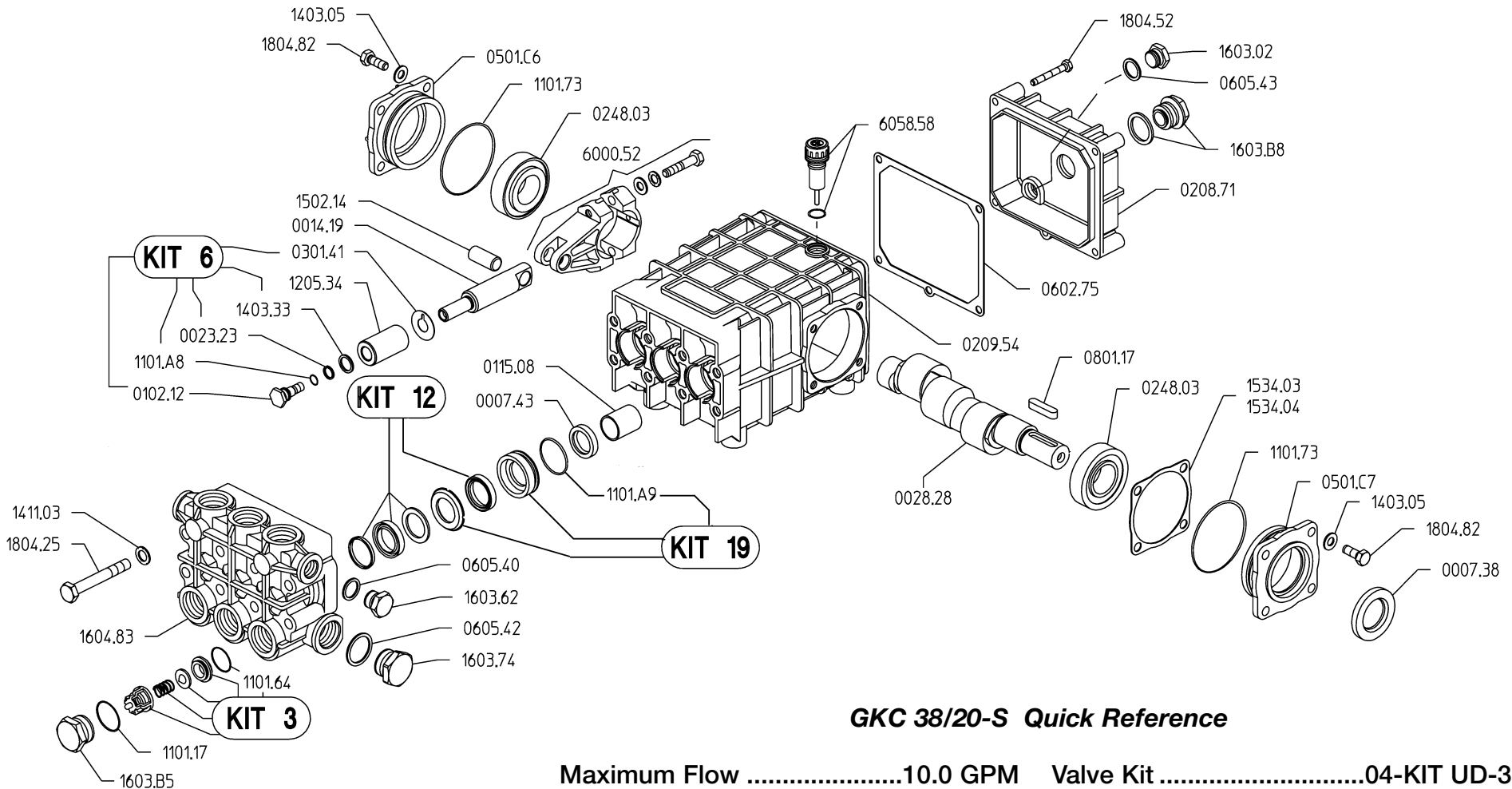


# GKC 38/20-S



## GKC 38/20-S Quick Reference

Maximum Flow .....10.0 GPM  
 Maximum Pressure .....3000 PSI  
 Rated Pump Speed .....1450 RPM  
 Oil Capacity .....40 oz. UDOR LUBE  
 or SAE 30W  
 Non-Detergent Oil

Valve Kit .....04-KIT UD-3  
 Seal Kit.....04-KIT UD-12  
 Brass Kit .....04-KIT UD-19  
 Plunger Bolt Kit .....04-KIT UD-6  
 Plunger Part # .....04-1205.34  
 Plunger Diameter .....28 MM