

This Manual Must Be Read Before Operating The Equipment

# Owner / Operator's Manual



The Commercial Turf Choice

## SPREADERS

TS-300  
TS-300-EG  
TS-700-E  
TS-700-GR  
TS-700-P  
TS-1200-E  
TS-1200-GR  
TS-1200-P



Warren, Michigan 48089  
866-5TURFEX

CUSTOMER COPY

Protected by the following patents, #6,089,478, #6,088,865, #Des.425,915  
and other pending U.S. and foreign patent applications.

Introduction .....	3
General Information and Registration .....	4
Safety Information .....	5-7
TS-300-E / TS-300-EG Main Assembly .....	8-21
TS-700-E / P Main Assembly .....	22-23
TS-700-GR / TS-1200 GR Main Assembly .....	24-25
TS-1200-E / P Main Assembly .....	26-27
TS-700-E / P & TS-1200-E / P Drive Assembly .....	28-29
TS-700-GR & TS-1200-GR Drive Assembly .....	30-31
TS-700-E / GR / P & TS-1200-E / GR / P Gate Assembly .....	32
TS-700-E & TS-1200-E Electrical Systems .....	33
Blank Page .....	34-35
Adjustable Spinner Information .....	36
Spreader Calibration Charts .....	37
Calibration Speed Chart .....	38
Calibration Disclaimer .....	39
Blank Page .....	40-41
Accssories & Mounts .....	42-50
• SDK-020 Side Deflector Kit	
• ADF-020 Adjustable Deflector Kit	
• DRM-175 Drop Mount Receiver	
• TLR-175 Trailer Mount	
• TPM-175 Three Point Mount	
• UTM-175 Utility Mount	
• VAR-020 Variable Speed Control Kit (TS-300,TS-700-E & TS-1200-E Only)	
• ZTR-175 Zero Turn Radius Mower Mount	
Spreader Maintenance .....	51
Troubleshooting Information .....	52-53
Warranty & Warranty Registration .....	54-55

This manual has been designed for your help. It will assist you and instruct you on the proper set-up, installation and use of this spreader.

Refer to the table of contents for an outline of this manual.

We require that you read and understand the contents of this manual completely (especially all safety information) before attempting any procedure contained herein.



THIS SIGN SHOULD ALERT YOU:

The Society of Automotive Engineers has adopted this SAFETY ALERT SYMBOL to pinpoint characteristics that, if NOT carefully followed, can create a safety hazard. When you see this symbol in this manual or on the machine itself, BE ALERT! Your personal safety and the safety of others is involved.

Defined below are the SAFETY ALERT messages and how they will appear in this manual:



**DANGER**

(RED)

Information that, if not carefully followed, can cause death!



**WARNING**

(ORANGE)

Information that, if not carefully followed, can cause serious personal injury or death!



**CAUTION**

(YELLOW)

Information that, if not carefully followed, can cause minor injury or damage to equipment.

# General Information



## CONGRATULATIONS!

The Turfex product you have purchased is an example of turf management product at its finest! Your Turfex product's, self contained design is a trademark of all Turfex products. Here's why...

**SIMPLICITY:** Fewer moving parts manufactured of higher quality means minimal maintenance for your Turfex product.

**RELIABILITY:** High impact linear low density polyethylene hopper, state-of-the-art electronic dual variable speed control, custom engineered powder coated frame, maximum torque 12 volt motor coupled to a custom engineered transmission found only on Turfex products.

**VERSATILITY:** Multi-use capabilities allows spreading of a variety of materials.

**WARRANTY:** Two years parts and labor from date of installation.

The benefits you are about to recognize are that of time, money and effort. We welcome you to the world of Turfex Performance.

## Registration

Record the following information in this manual for quick reference.

Spreader Model Number \_\_\_\_\_

Serial Number \_\_\_\_\_ Controller Serial Number \_\_\_\_\_

Date of Purchase \_\_\_\_\_

Dealer Where Purchased \_\_\_\_\_

When ordering parts, the above information is necessary. This will help to insure that you receive the correct parts.

At the right is a diagram of the ID tag. This tag is located on the frame (where applicable).



Please fill out the warranty card with all the necessary information to validate it. This will also give us a record so that any safety or service information can be communicated to you.



Before attempting any procedure in this book, these safety instructions must be read and understood by all workers who have any part in the preparation or use of this equipment.

For your safety warning and information decals have been placed on this product to remind the operator of safety precautions. If anything happens to mark or destroy the decals, please request new ones from Trynex.



Unit must be strapped down and locked into position before operating vehicle.



Never exceed the Gross Vehicle Weight Rating of vehicle. Failure to do so may limit a vehicles handling characteristics.



Never attempt to take a unit off with material in it.



Do not drive at excessive speeds when loaded spreader is attached to vehicle. Braking distances may be decreased and handling characteristics may be impaired at higher speeds.



Never allow children to operate or climb on equipment.  
Always check areas to be spread to be sure no hazardous conditions or substances are in the area.  
Always inspect unit for defects: broken, worn or bent parts, weakened areas on spreader or mount.



Always shut off vehicle and power source before attempting to attach or detach or service spreader unit. Be sure vehicle/power source is properly braked or chocked.



Always keep hands, feet, and clothing away from power-driven parts. Remember it is the owner's responsibility to communicate information on safe usage and proper maintenance of all equipment.









Always make sure personnel are clear of areas of danger when using equipment. Maintain 60' distance from all bystanders when operating the spreader.



Inspect the unit periodically for defects. Parts that are broken, missing, or worn out must be replaced immediately. The unit, or any part of it should not be altered without prior written permission from the manufacturer.



Never use with foreign debris in the spreader. These units are designed to handle clean, free-flowing material. Note: Can not spread water softner salt.

-  **WARNING** Always inspect pins and latches whenever attaching or detaching spreader, and before traveling.
-  **CAUTION** Never leave material in hopper for long periods of time. Be aware that all ice melters and fertilizers are hygroscopic and will attract atmospheric moisture and harden up.
-  **WARNING** Remember, most accidents are preventable and caused by human error. Exercising of care and precautions must be observed to prevent the possibility of injury to operator or others!
-  **WARNING** Never operate equipment when under the influence of alcohol, drugs, or medication that might alter your judgment and/or reaction time.
-  **WARNING** Before working with the spreader, secure all loose fitting clothing and unrestrained hair.
-  **WARNING** Always wear safety glasses with side shields when servicing spreader. Failure to do this could result in serious injury to the eyes.

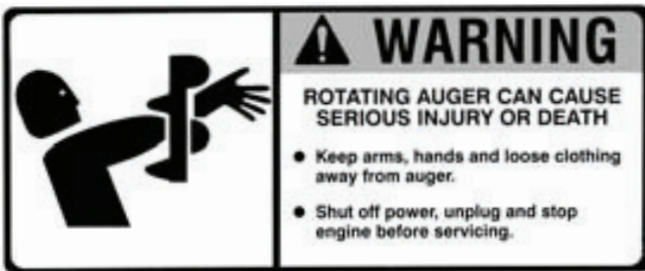
All Turfex products have warning labels instructing you about certain safety issues you should be aware of. Below are examples of what to look for and familiarize yourself with. In the event that a label is lost or removed for refinishing reasons, you may obtain new ones from Turfex.



D 6546



D 6859



D 6335



D 6545



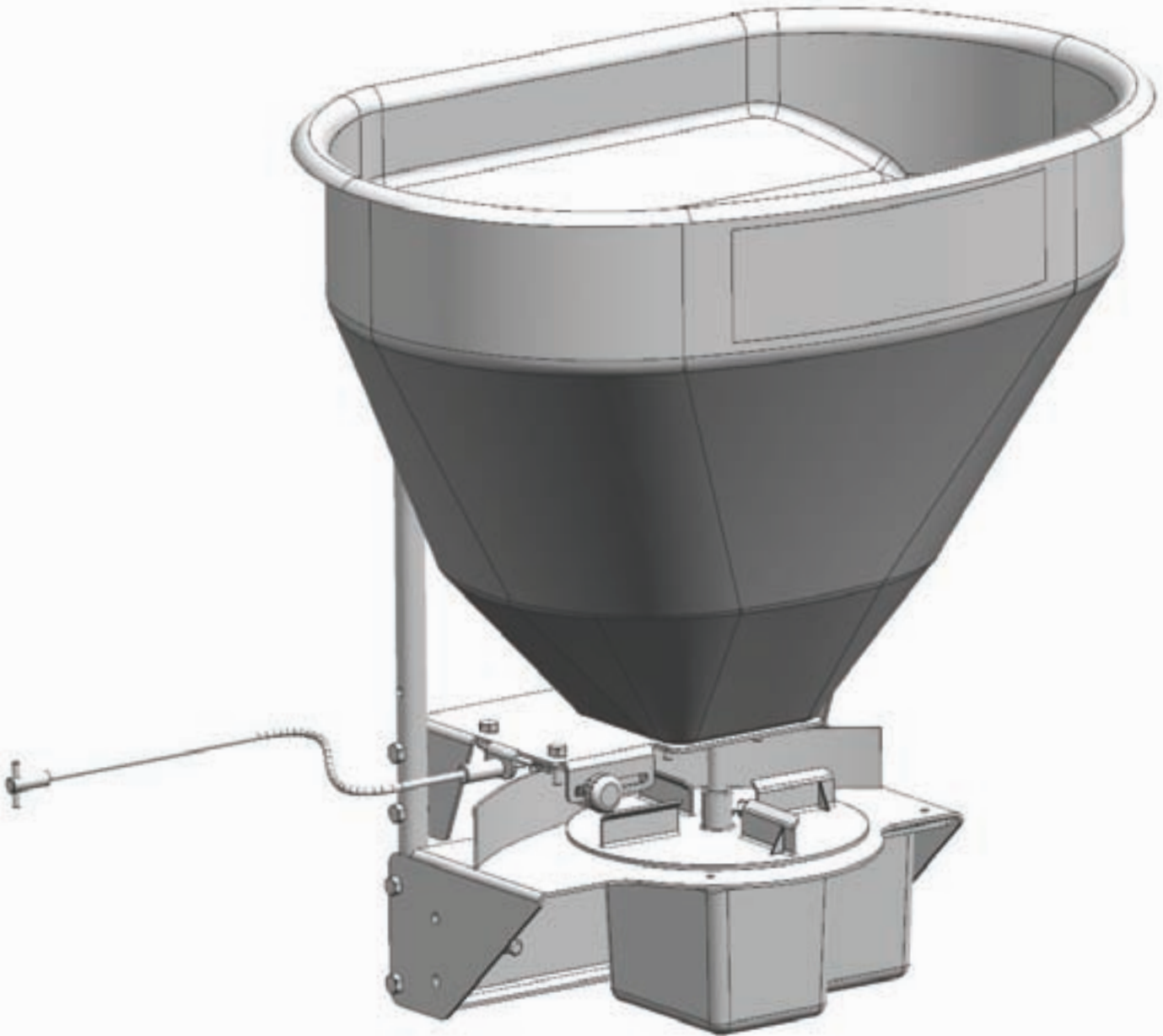
D 6544



D 6548

TS-300

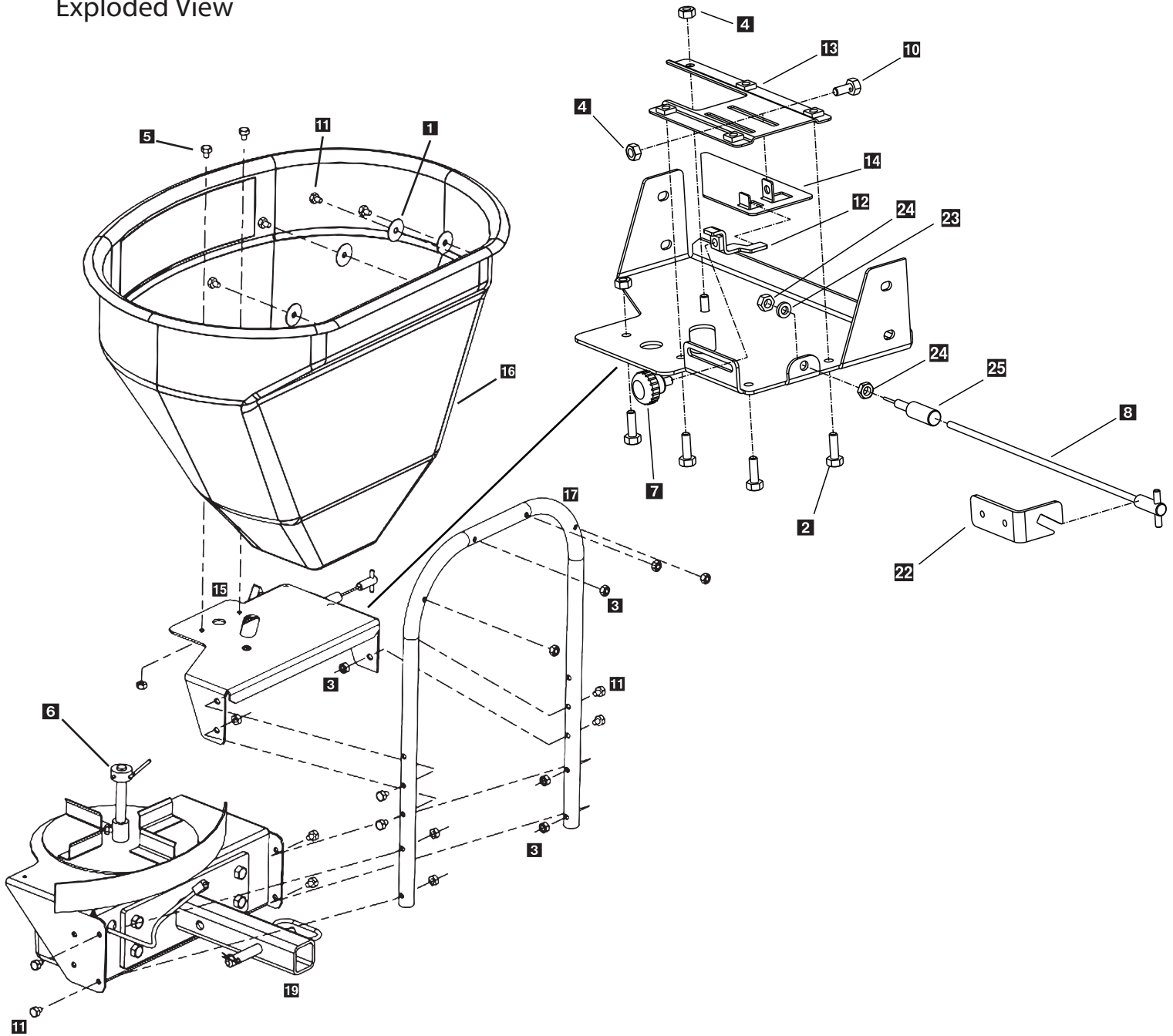
Main Assembly Views





# TS-300

## Exploded View



Key	Part No.	Description	Qty.	Key	Part No.	Description	Qty.
1	D 4318	3/8" Fender Washer	4	14	D 6705	Seeder Gate Slide	1
2	T 15049	5/16"-18 x 1/2" Hex Bolt SS	2	15	D 6706	Seeder 400 Gate Deck	1
3	D 6138	5/16" Locknut	14	16	D 6709	150 Seeder Hopper	1
4	D 6168	5/16" - 16 Hex Nut SS	1	17	D 6712	Hopper Tube Support	1
5	D 6418	5/16" - 18 x 1" Hex Bolt SS	2	18	D 6480	Transmission Weldment	1
6	D 6705	Agitator	1	19	D 6485	Light Duty Receiver Mount	1
7	D 6302	Gate Knob	1	20	D 4116	1/2"-13 x 1-1/2" Hex Bolt	4
8	D 6304	T-Handle Cable - 10'	1	21	D 4120	1/2" Lock Nut	4
9	D 6305	Bulkhead Cable Fitting	1	22	T 15036	Cable Mounting Bracket	1
10	D 6308	5/16" - 16 x 3/4" Bolt w/Hole SS	1	23	T 15051	3/8 Internal Star Lock Washer	1
11	D 6462	5/16" - 18 x 1-3/4" HHCS	12	24	T 15052	3/8-24 Jam Nut SS	1
12	D 6703	Gate Indicator / Stop	1	25	T 15050	Cable Fitting	1
13	D 6704	Seeder Gate Track	1				

## Assembly Instructions (refer to digram on page 1-9)

Step 1: Attach hopper tube support (D 6712) **17** to complete drive assembly using (4) 5/16"-18 x 1-3/4" hex bolt (D 6462) **11** and (4) 5/16" lock nut (D 6138) **3**. Use (2) holes at bottom end of tube.

Step 2: Place spreader gate deck (D 6706) **16** upside down on table.

Step 3: Assemble gate indicator/stop (D 6703) **12** on stop slide with gate knob (D6302) **7**. Gate stop must be on the inside of deck where it will stop the track.

Step 4: Insert (1) 5/16 bolt with hole (D 6308) **10** through gate slide (D 6705) **12**. Finger tighten (1) 5/16" locknut (D 6138) **3** on bolt.

Step 5: Take bulkhead cable fitting (D 6305) **9** and screw it onto T-handle cable - 10' (D 6304) **8** rubber coating.

Step 6: Place assembly through tab on gate deck. Tighten down with supplied washer and nuts. NOTE: There should be a nut on either side of tab.

Step 7: Lower gate assembly over spinner shaft. Spinner shaft must go through 5/8" hole on deck. Shaft to be centered in hole.

Step 8: Fasten deck to hopper tube using (4) 5/16" hex bolts (D 6462) **11** and (4) 5/16" locknuts (D 6138) **3** NOTE: You must first tighten bottom bolts, pull front of deck up, then tighten top set of bolts.

Step 9: Place hopper (D 6709) **16** on deck. 5/8" hole must be used for spinner shaft.

Step 10: Finger tighten (2) 5/16 x 1" bolts (D 6166) **5** through bottom of hopper.

Step 11: Place (4) flat washers (D 4318) **1** over hex bolts (D 6462). Place bolts through hopper back and in through tube support. Tighten with (4) 5/16" locknuts.

Step 12: Tighten bolts in bottom of hopper.

Step 13: Place agitator (D 6405) on spinner shaft. Tighen to middle of flat with short allen key.

Step 14: Attach receiver mount (D 6485) to transmission weldment (D 6480) using (4) 1/2" hex bolts (D 4116) and (4) 1/2" lock nuts (D 4120).

## CABLE INSTALLATION

Step 1: Place unit on vehicle where it will be permanently used. Place hitch pin in hitch so unit does not move.

Step 2: Route T-handle to desired operating location. There cannot be any bends or sharp corners.

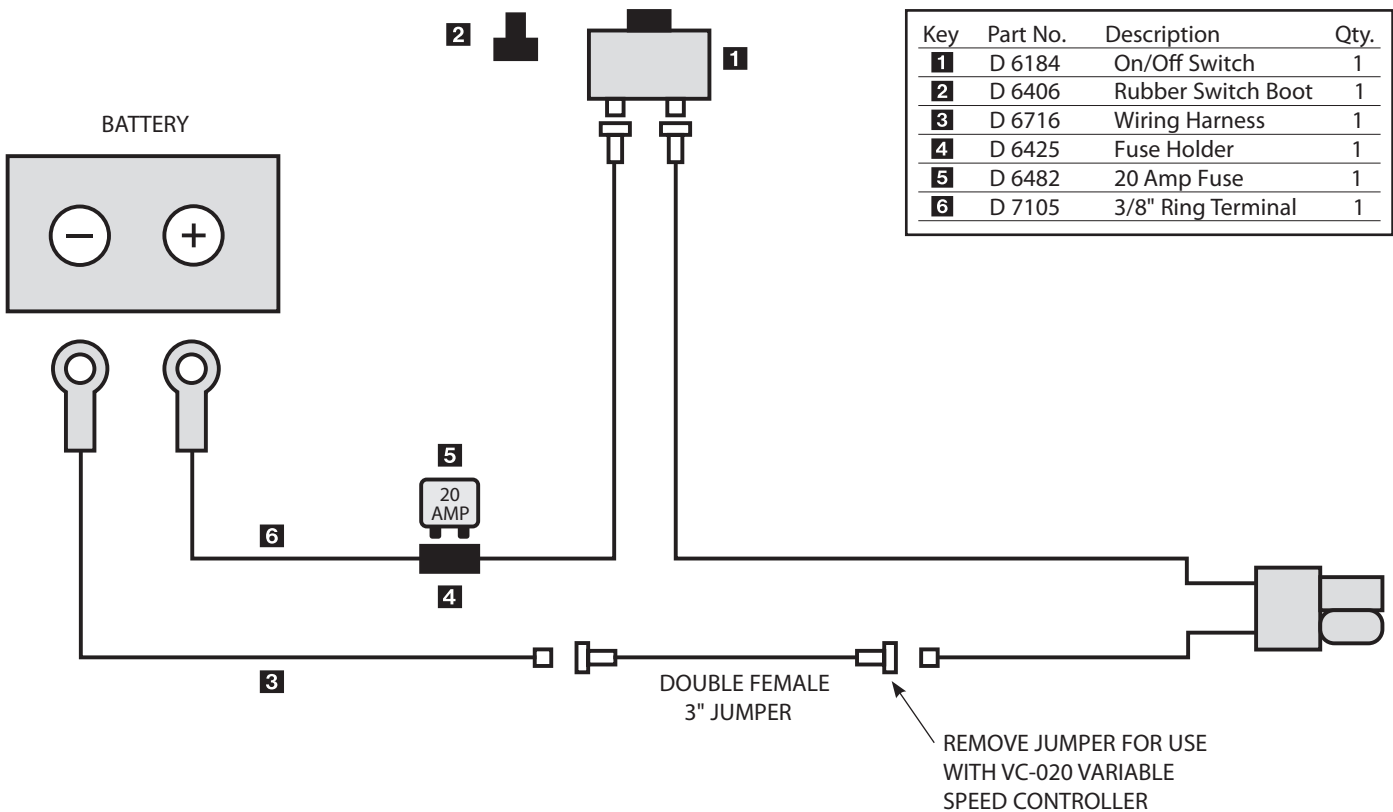
Step 3: Take T-handle out of sleeve. Take nuts and washer off of sleeve.

Step 4: Drill holes to mount T-handle mounting bracket. Mount T-Handle to bracket.

Step 5: Close gate slide all the way.

Step 6: Re-insert cable handle and wire all the way. Aim through bolt with hole and tighten bolt.

# TS-300 Wiring Diagram



## TS-300 Wiring Instructions

Step 1: First, install switch at desired location.

Step 2: Run spreader/vehicle harness from the rear of vehicle to switch area. Attach the female spade red wire to the switch. Leave the black wire for Step 5.

Step 3: Route the power harness from the battery to the switch/control.

Step 4: Attach the red lead to the positive side of the battery and the black lead to the negative side of the battery.

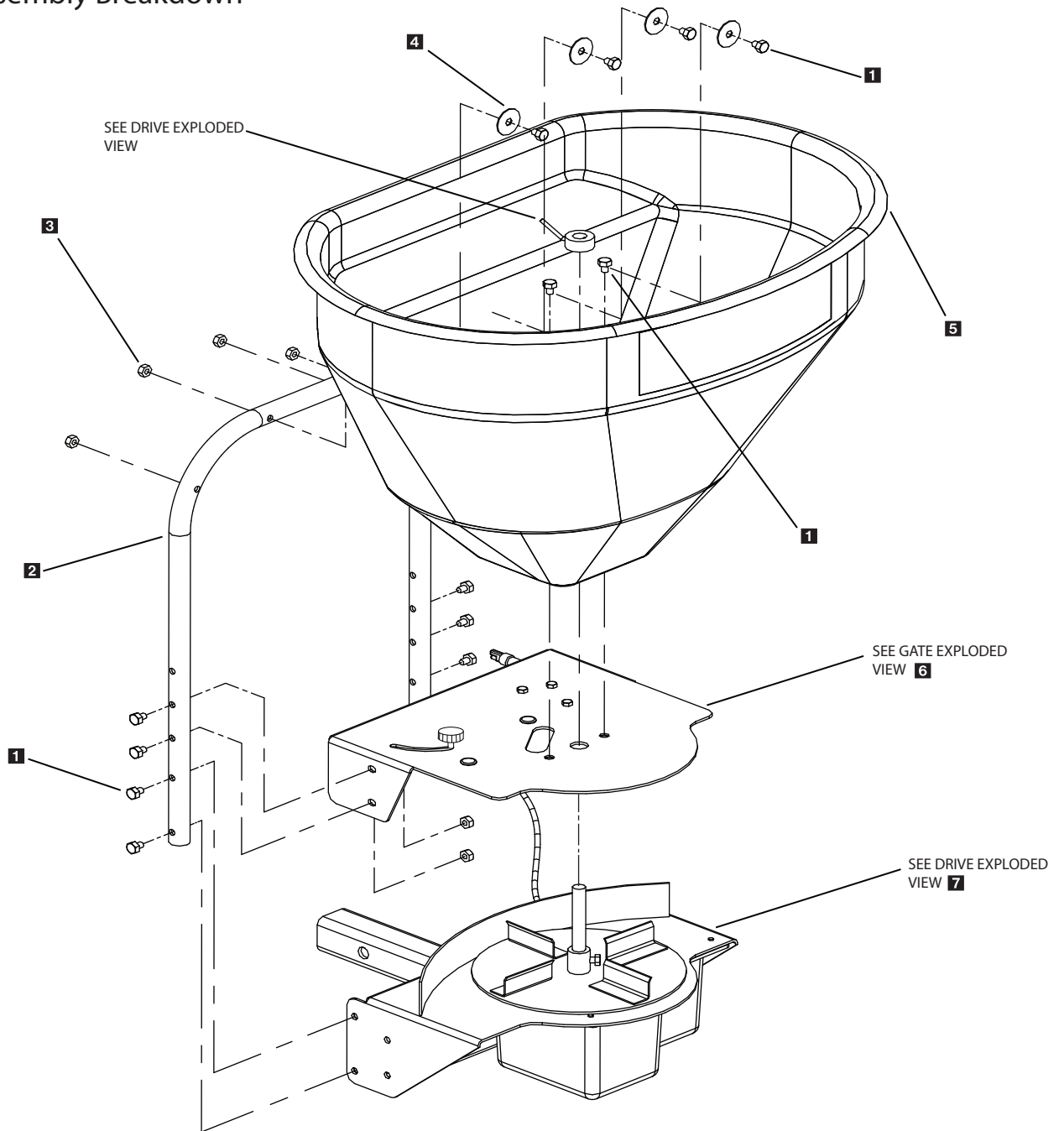
Step 5: Attach the female spade red wire on switch terminal. Using 3" double female black wire jumper attach the black wire from the power harness to the black wire of the vehicle harness.

Step 6: Install rubber weatherproof boot on switch before finishing installation.

Step 7: Insert dielectric grease on terminals of SAE plug at rear of vehicle.

# TS-300-EG

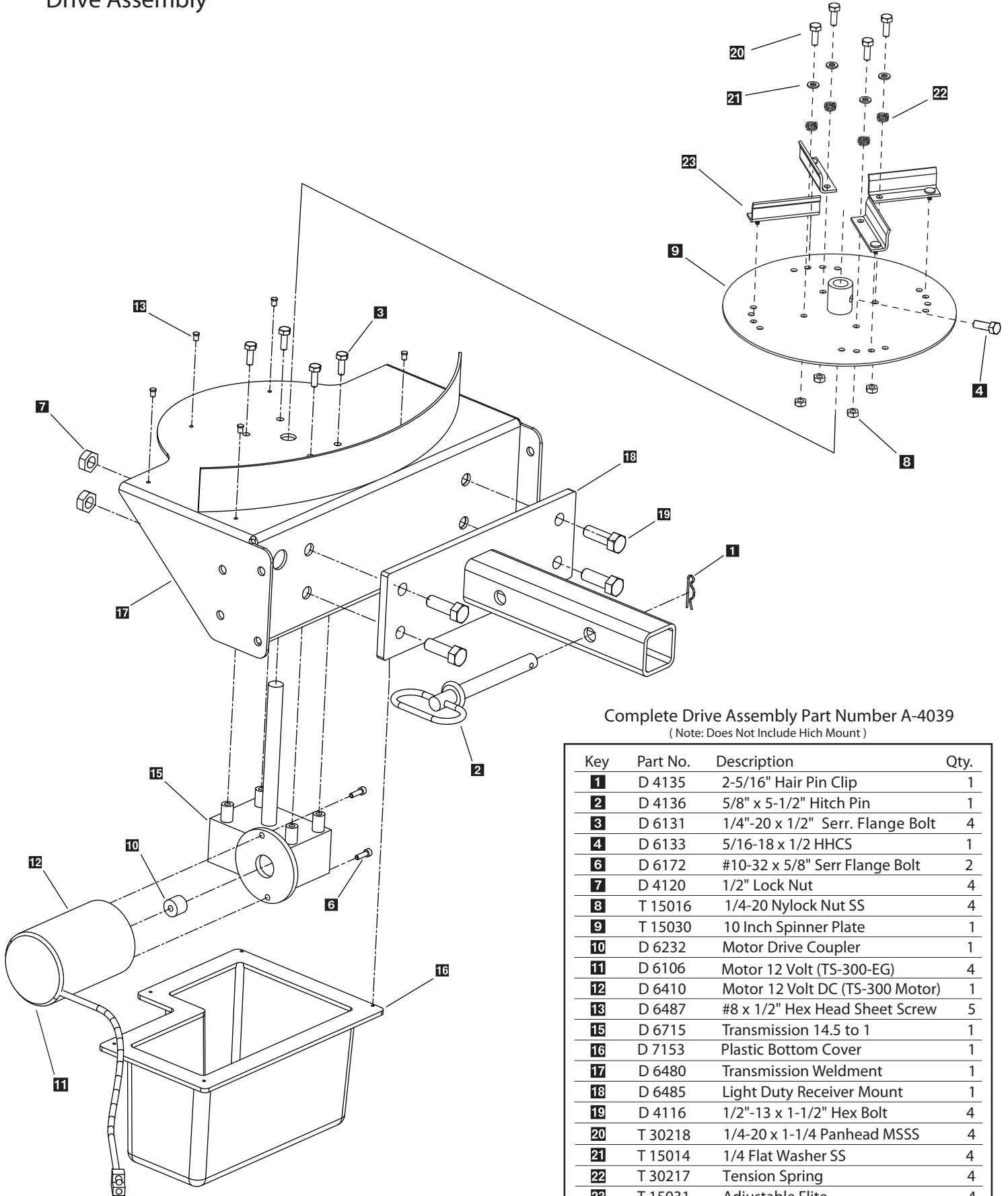
## Main Assembly Breakdown



Key	Part No.	Description	Qty.
<b>1</b>	D 6462	5/16" - 18 x 1-3/4" HHCS	14
<b>2</b>	D 6712	Hopper Tube Support	1
<b>3</b>	D 6138	5/16" Lock Nut	14
<b>4</b>	D 4318	3/8" Fender Washer	4
<b>5</b>	D 6753	2.7 Cu/Ft Seeder Hopper Yellow	1
<b>6</b>		Electric Gate Assembly	1
<b>7</b>		Drive Assembly	1

# TS-300-EG / TS-300

## Drive Assembly



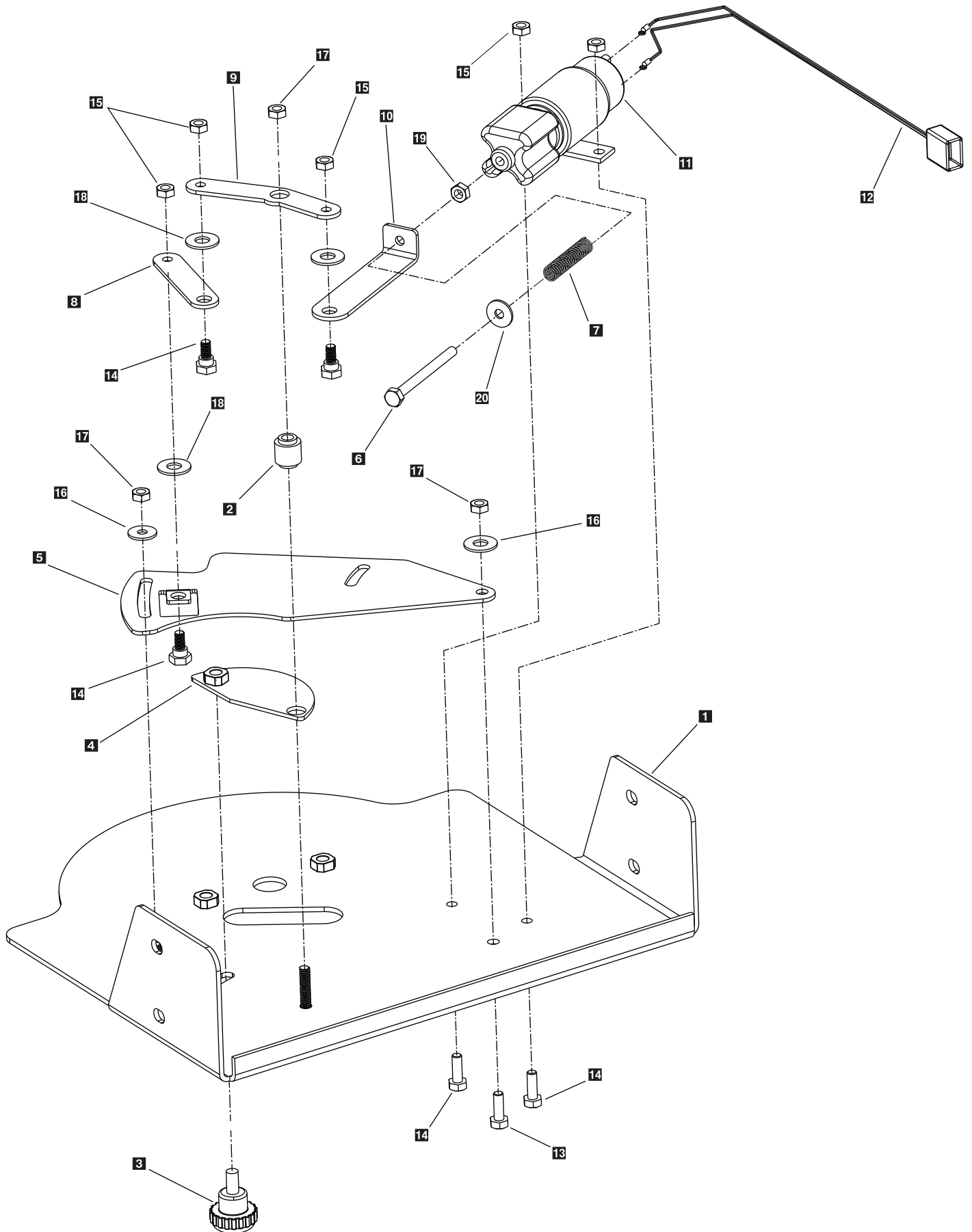
### Complete Drive Assembly Part Number A-4039

(Note: Does Not Include High Mount)

Key	Part No.	Description	Qty.
1	D 4135	2-5/16" Hair Pin Clip	1
2	D 4136	5/8" x 5-1/2" Hitch Pin	1
3	D 6131	1/4"-20 x 1/2" Serr. Flange Bolt	4
4	D 6133	5/16-18 x 1/2" HHCS	1
6	D 6172	#10-32 x 5/8" Serr Flange Bolt	2
7	D 4120	1/2" Lock Nut	4
8	T 15016	1/4-20 Nylock Nut SS	4
9	T 15030	10 Inch Spinner Plate	1
10	D 6232	Motor Drive Coupler	1
11	D 6106	Motor 12 Volt (TS-300-EG)	4
12	D 6410	Motor 12 Volt DC (TS-300 Motor)	1
13	D 6487	#8 x 1/2" Hex Head Sheet Screw	5
15	D 6715	Transmission 14.5 to 1	1
16	D 7153	Plastic Bottom Cover	1
17	D 6480	Transmission Weldment	1
18	D 6485	Light Duty Receiver Mount	1
19	D 4116	1/2"-13 x 1-1/2" Hex Bolt	4
20	T 30218	1/4-20 x 1-1/4 Panhead MSSS	4
21	T 15014	1/4 Flat Washer SS	4
22	T 30217	Tension Spring	4
23	T 15031	Adjustable Flite	4

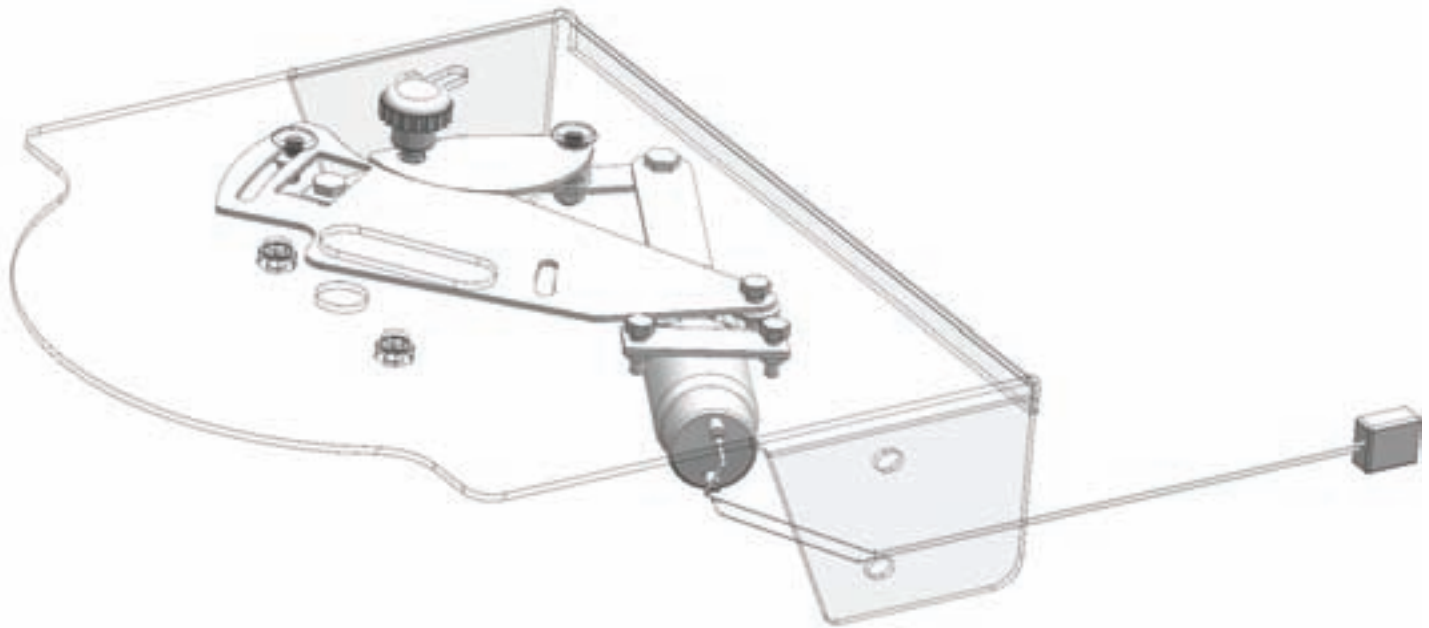
# TS-300-EG

## Electric Gate Control System



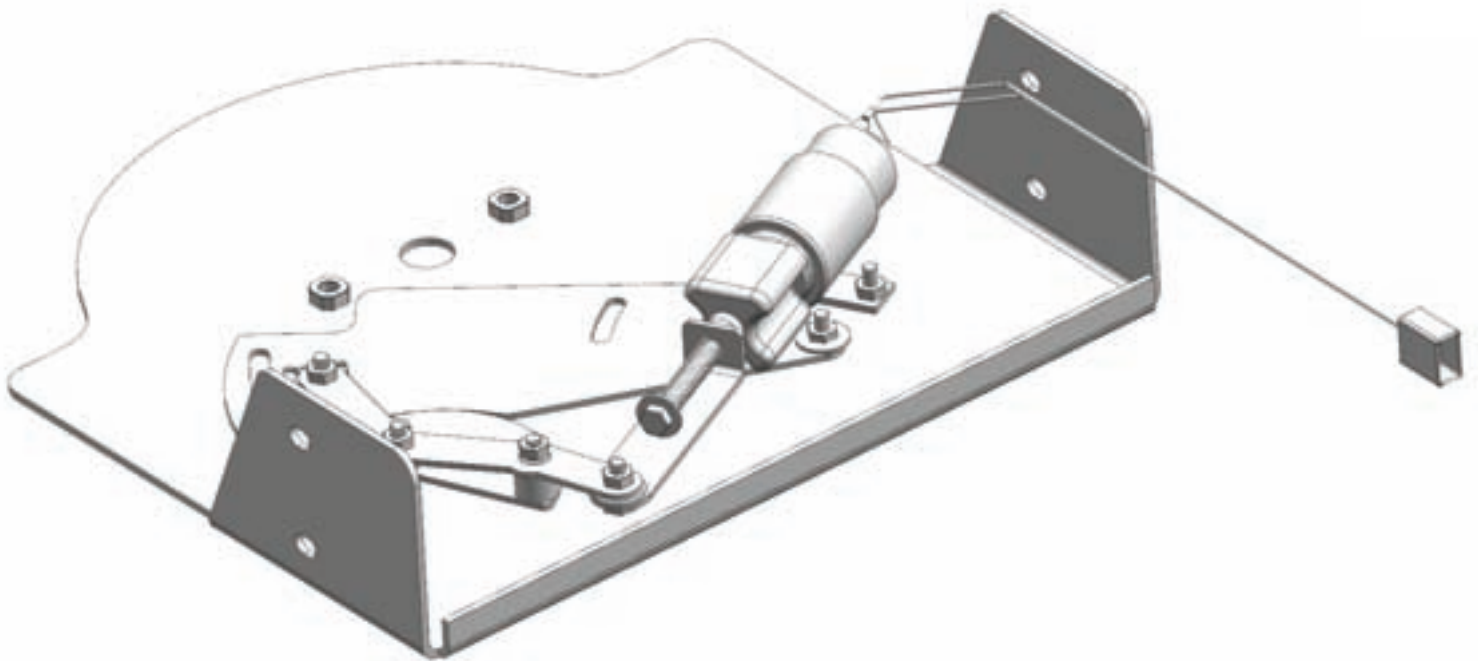
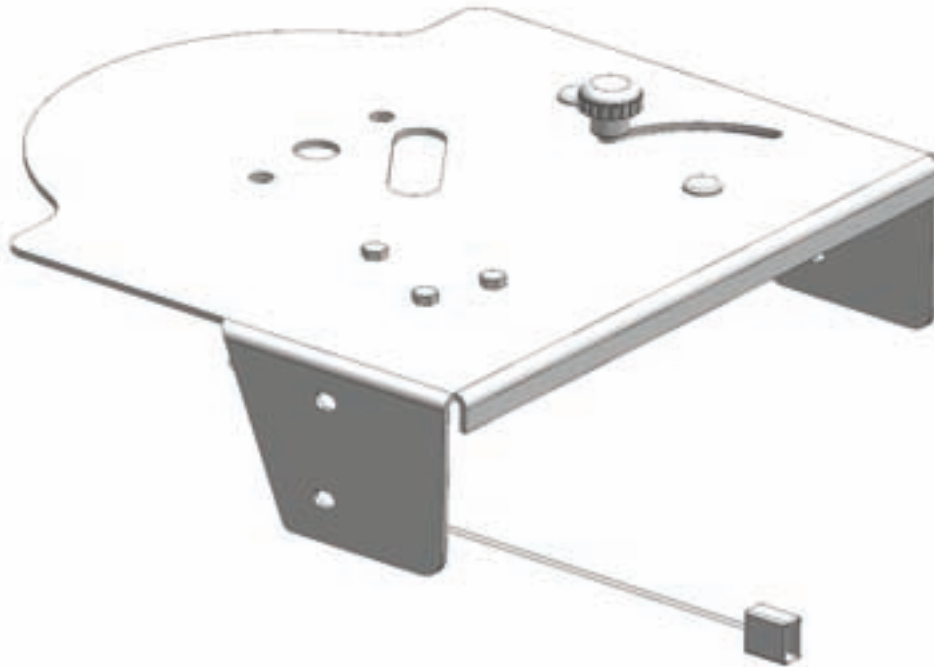
# TS-300-EG GATE

## Parts Breakdown



Key	Part No.	Description	Qty.
<b>1</b>	T-15001	Gate Deck	1
<b>2</b>	T-15037	Gate Stop Spacer	1
<b>3</b>	T-15029	Gate Stop Knob	1
<b>4</b>	T-15003	Gate Stop	1
<b>5</b>	T-15002	Gate Slide	1
<b>6</b>	T-15012	1/4-28 x 3 SHCS SS	1
<b>7</b>	T-15009	Stainless Spring	1
<b>8</b>	T-15007	Stainless Arm #3	1
<b>9</b>	T-15006	Stainless Arm #2	1
<b>10</b>	T-15005	Stainless Arm #1	1
<b>11</b>	T-15008	12 Volt Actuator	1
<b>12</b>	T-15020	Actuator Power Cord	1
<b>13</b>	D 6166	5/16-18 x 1 Hex Bolt	1
<b>14</b>	T-15021	1/4-20 x 3/4 PPH MS Stainless	5
<b>15</b>	T-15016	1/4-20 Nylock Stainless	4
<b>16</b>	T-15017	5/16 Nylon Flat Washer	2
<b>17</b>	T-15018	5/16-18 Nylock Stainless	4
<b>18</b>	T-15023	1/4" Nylon Flat Washer	3
<b>19</b>	T-15013	1/4-28 Jam Nut Stainless	1
<b>20</b>	T-15014	1/4" Flat Washer Stainless	1

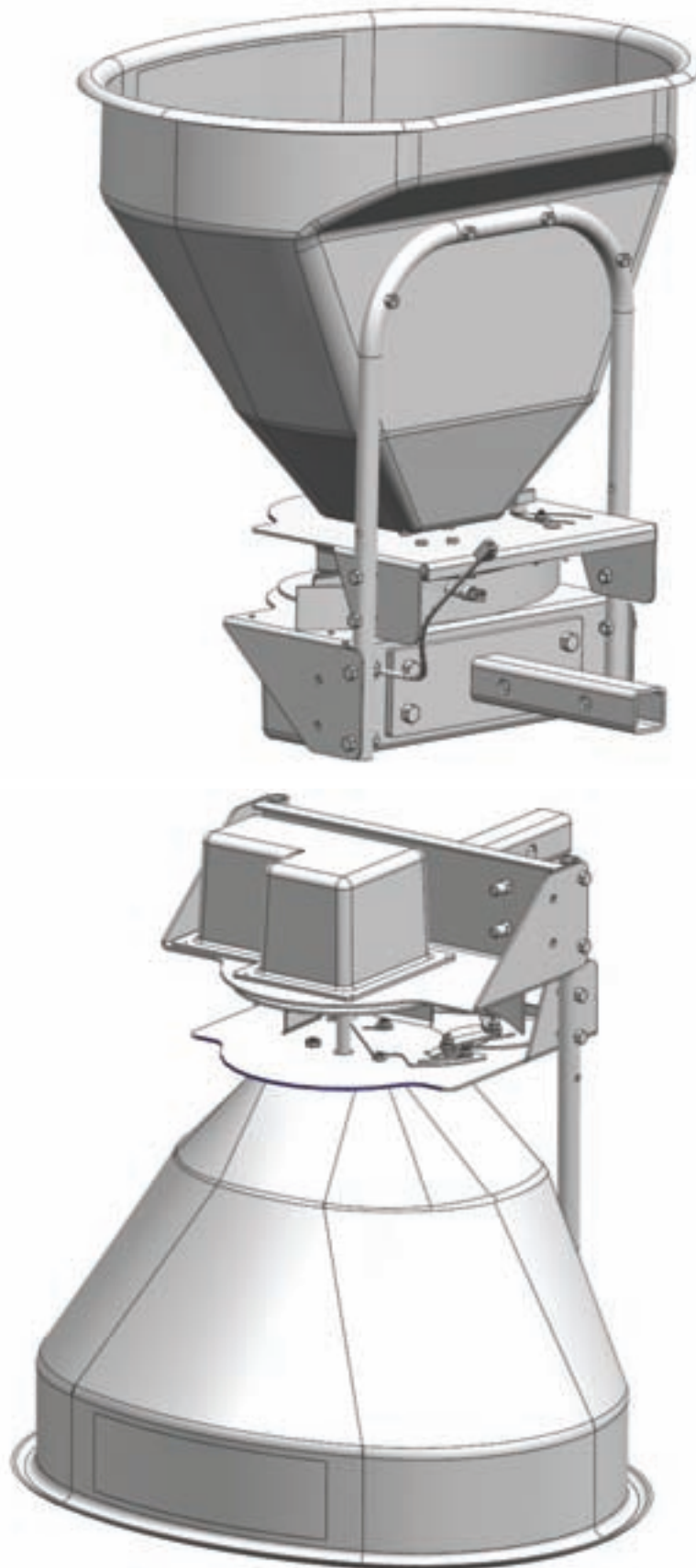
TS-300-EG  
Gate Assembly Views

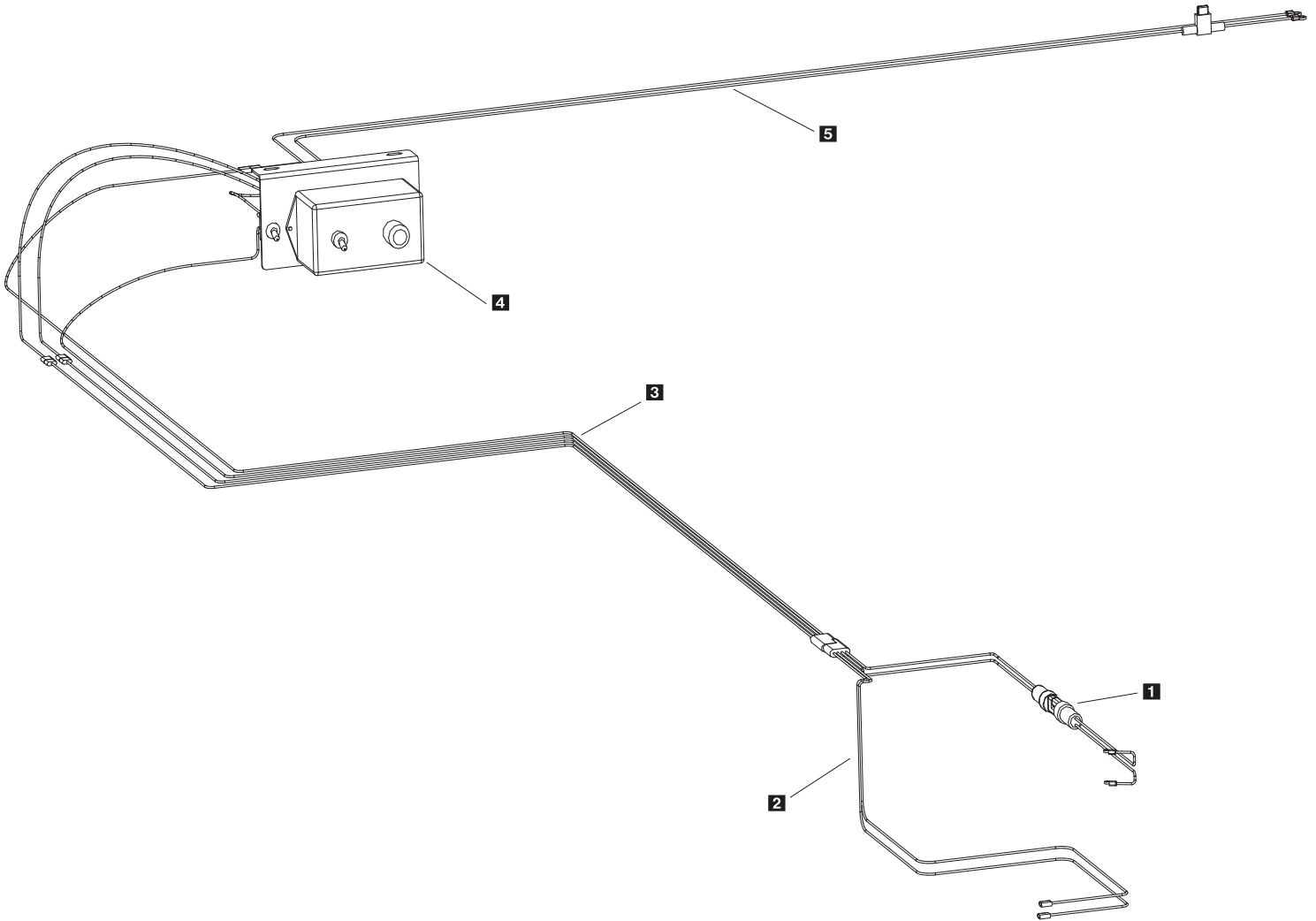




TS-300-EG

Front & Rear Assembly Views

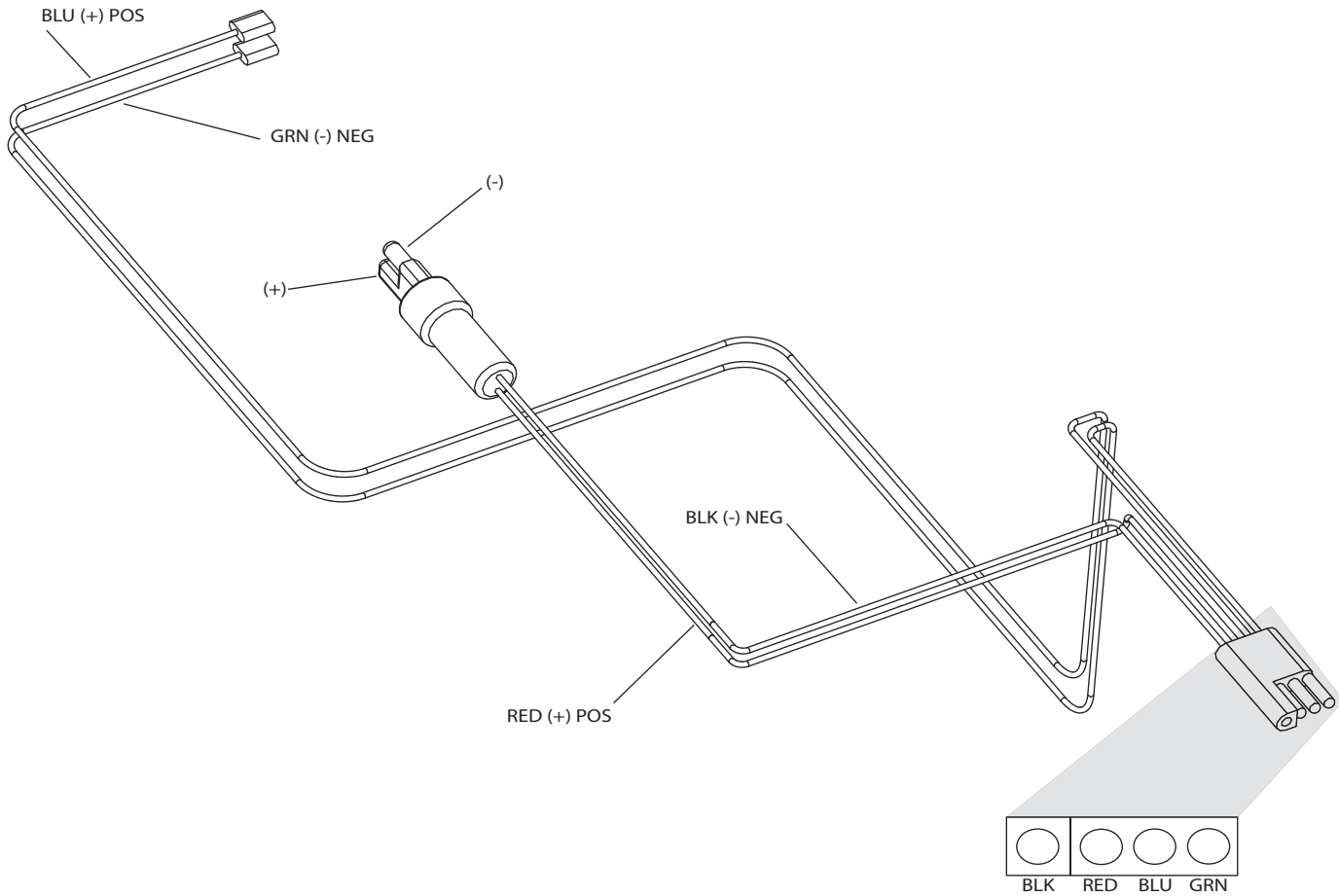




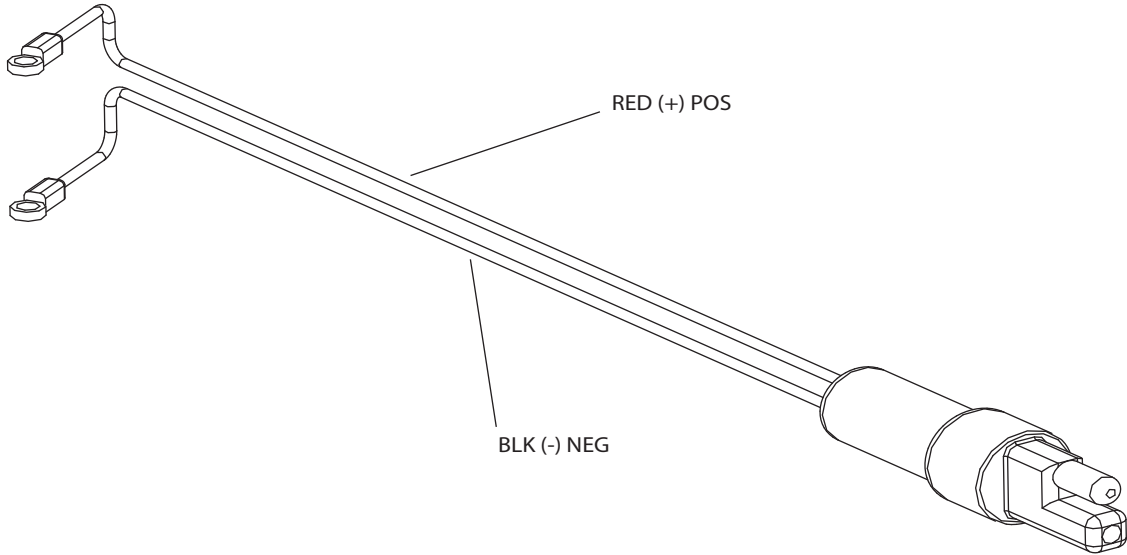
Key	Part No.	Description	Qty.
<b>1</b>	T 15020	SOLENOID WHIP	1
<b>2</b>	T 15034	SPREADER HARNESS	1
<b>3</b>	T 15028	VEHICLE HARNESS	1
<b>4</b>	D 7171	CONTROL	1
<b>5</b>	T 15011	BATTERY HARNESS	1

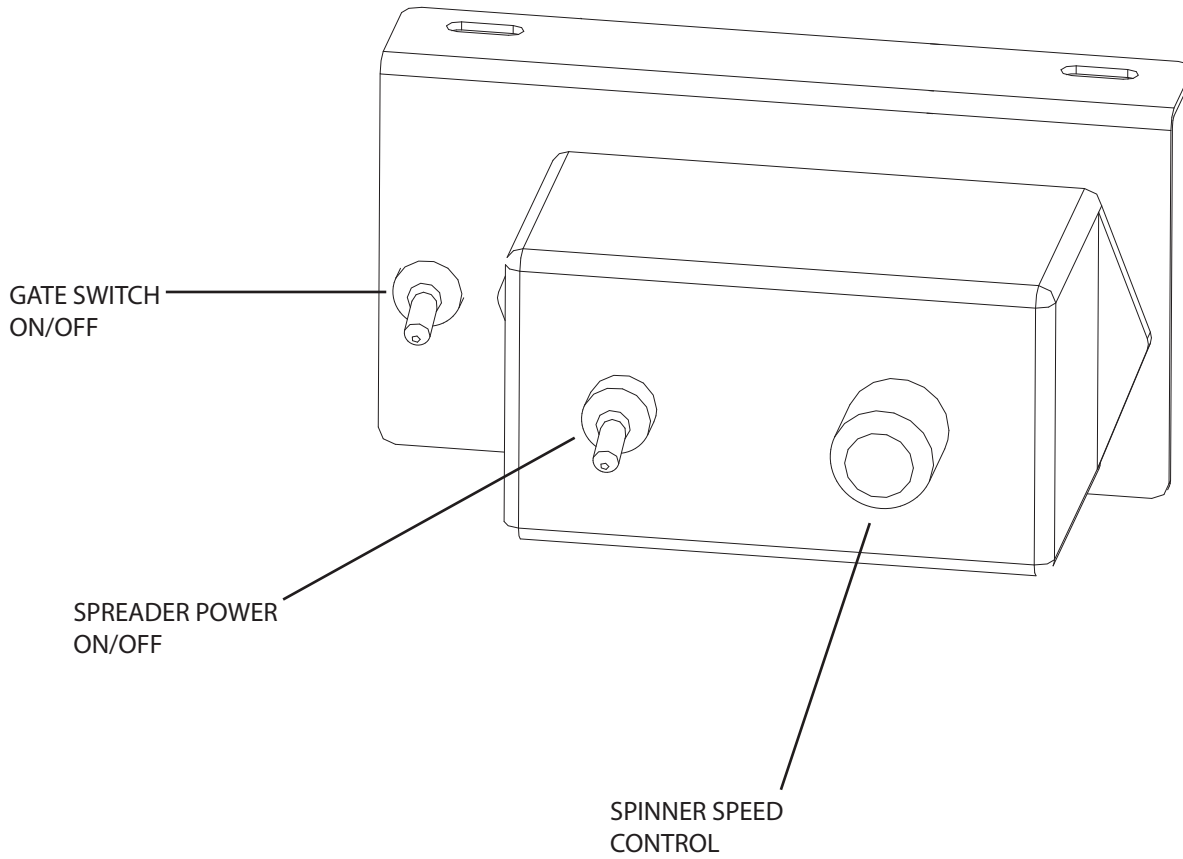
# TS-300-EG Spreader Harness T 15034

## Parts Breakdown

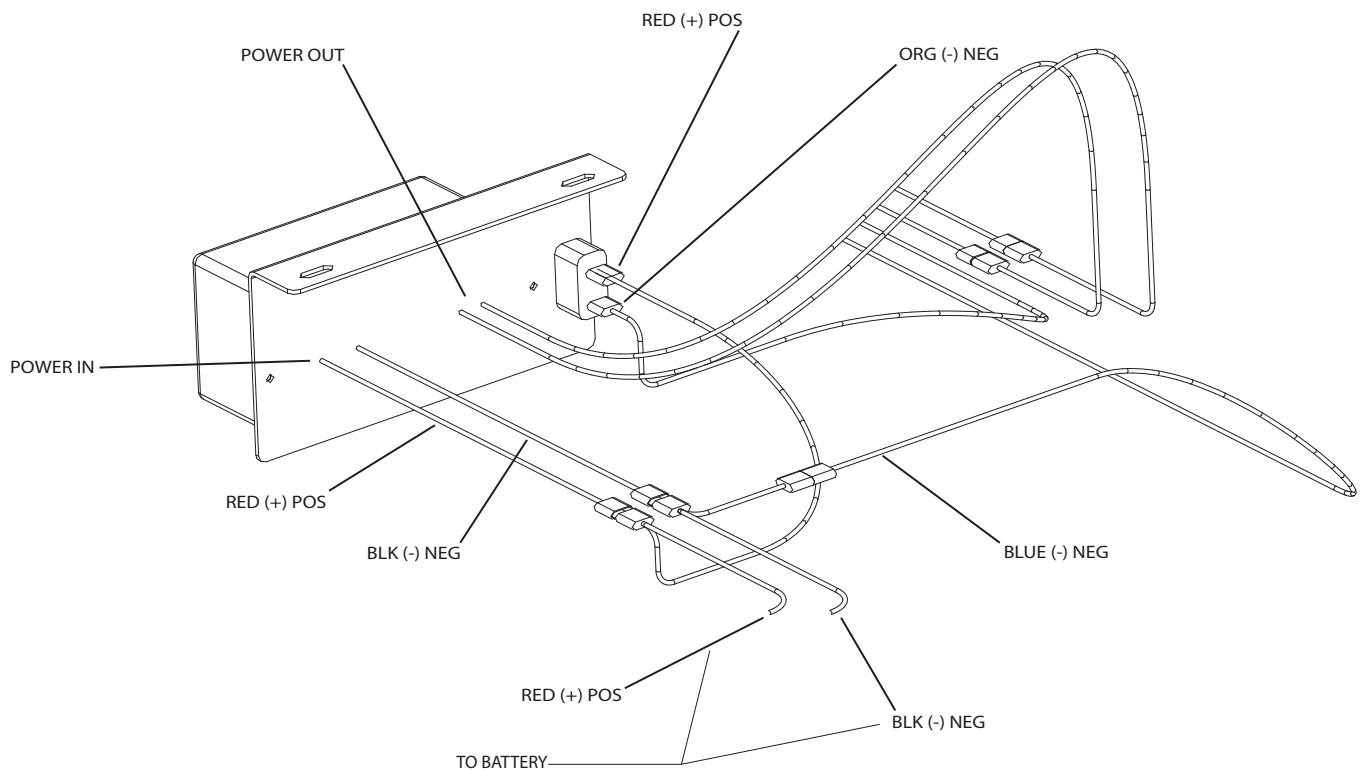


# TS-300-EG Solenoid Power Cord T 15020





TS-300-EG Control Back View







TS-700-E / TS-700-P  
 Assembly Views



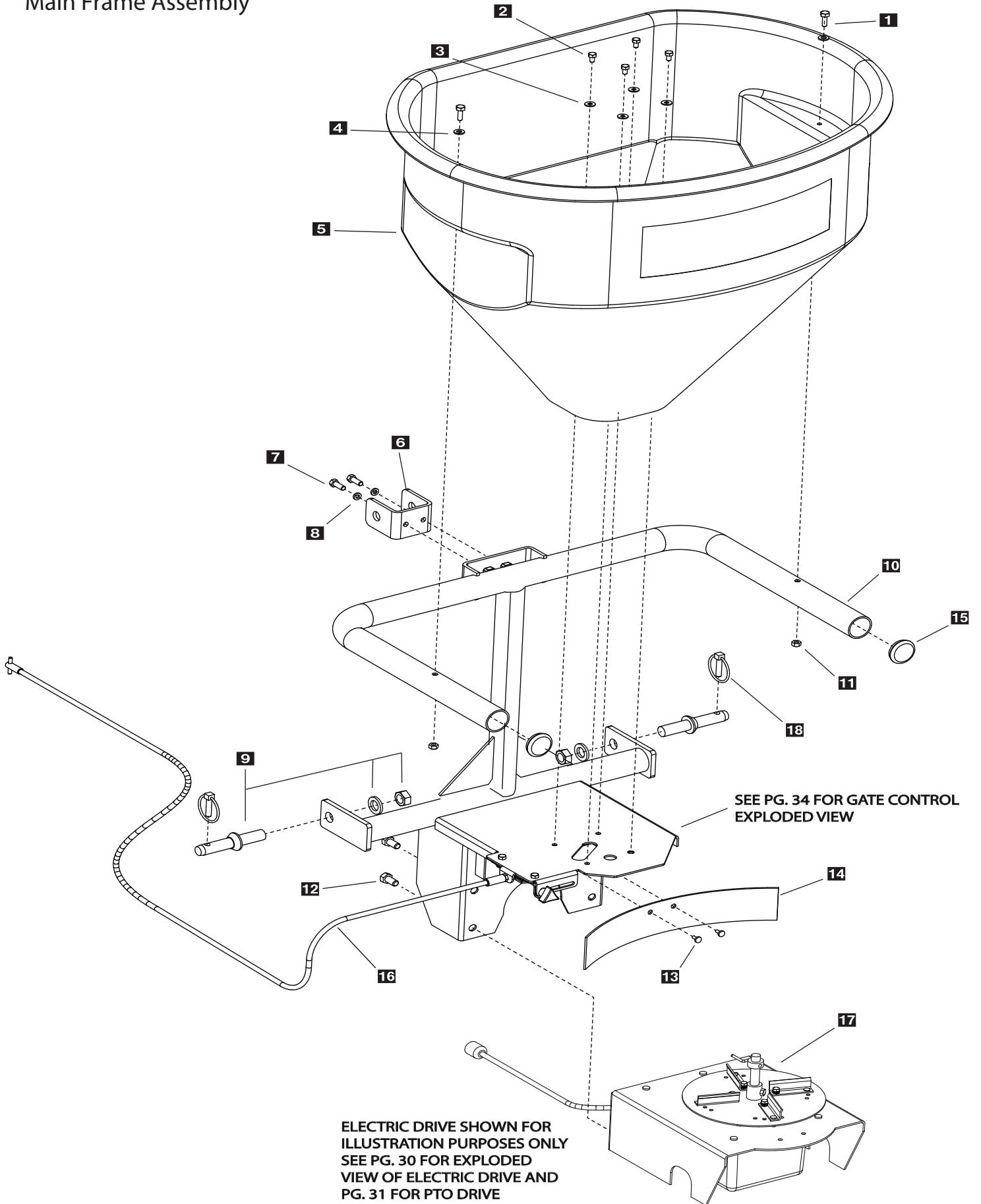
TS-700-E



TS-700-P

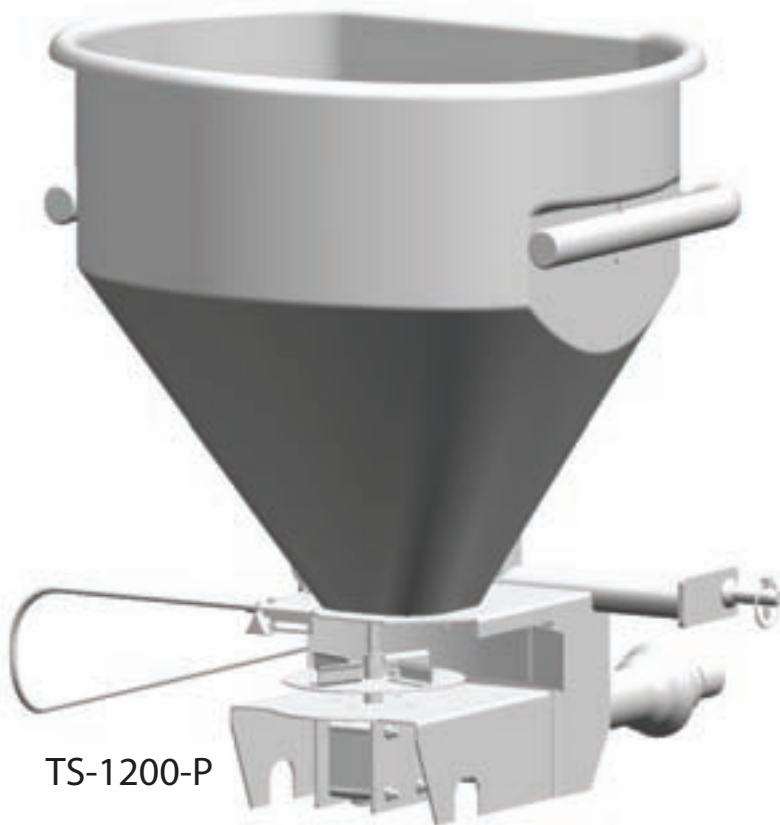
Key	Part No.	Description	Qty.	Key	Part No.	Description	Qty.
<b>1</b>	D 5724	3/8-16 x 1-3/4 HHCS	2	<b>11</b>	D 4124	3/8-16 Lock Nut	2
<b>2</b>	D 6576	5/16-18 X 1-1/4 HHCS	4	<b>12</b>	D 6528	1/2-13 x 1 Flange Bolt	4
<b>3</b>	D 6165	5/16 USS Flat Washer	4	<b>13</b>	D 6463	Large Plastic Push Pin	2
<b>4</b>	D 4125	3/8 USS Flat Washer	2	<b>14</b>	D 6110	Plastic Deflector	1
<b>5</b>	T 30200	Hopper	1	<b>15</b>	T 30219	Plastic Tube End Cap	2
<b>6</b>	T 30204	Clevis Three Point Bracket	1	<b>16</b>		Complete Gate Assembly (see pg 29)	1
<b>7</b>	D 4121	3/8-16 x 1 HHCS	2	<b>17</b>	A 6223	Complete Drive Assembly (see pg 26)	1
<b>8</b>	D 4313	3/8 Lock Washer	2	<b>18</b>	D 4133	5/16 Lynch Pin	2
<b>9</b>	D 4137	Lift Arm Pin Assembly	2				
<b>10</b>	T 30203	Frame Weldment	1				

TS-1200-E / TS-1200-P  
Main Frame Assembly





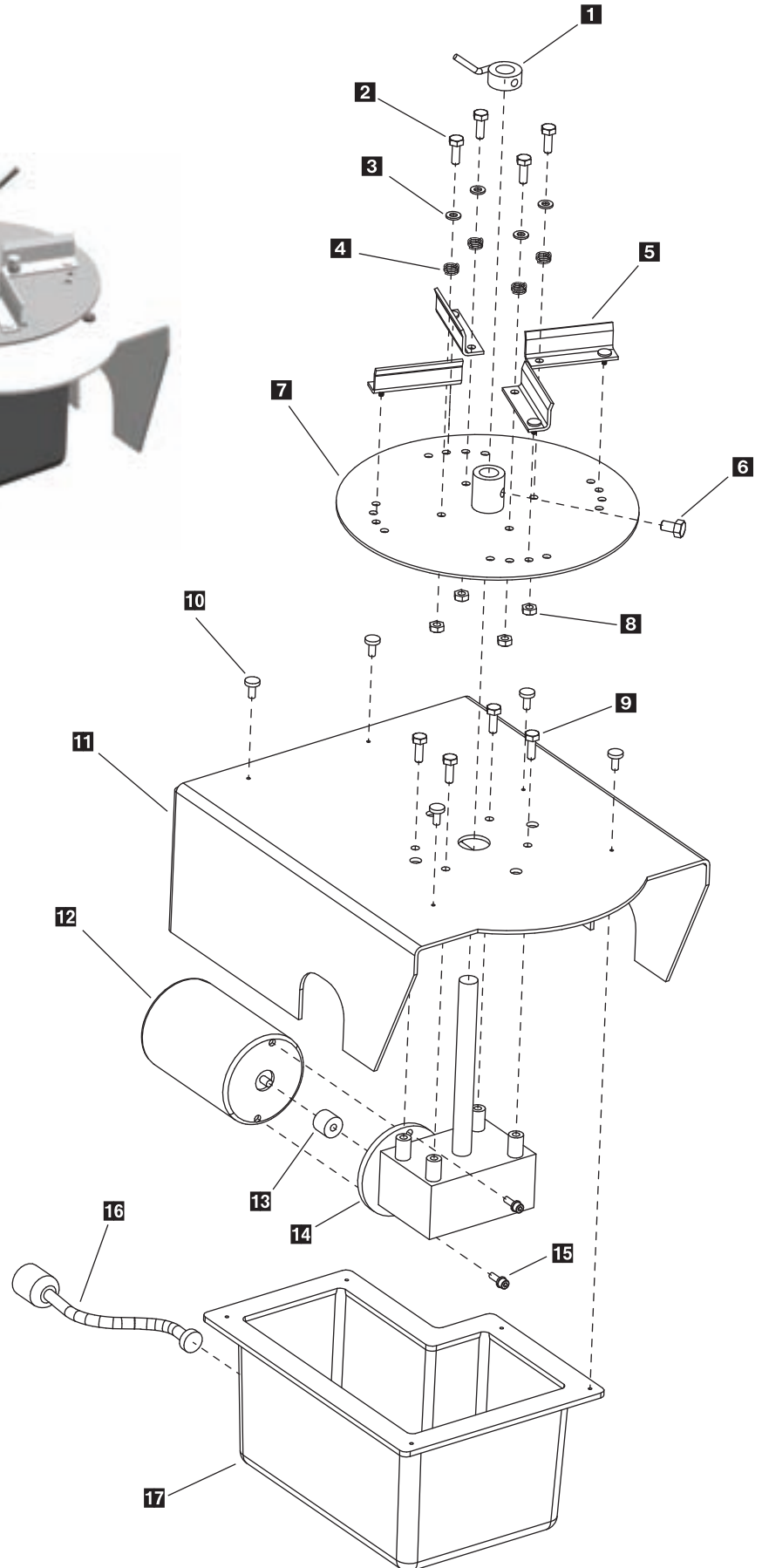
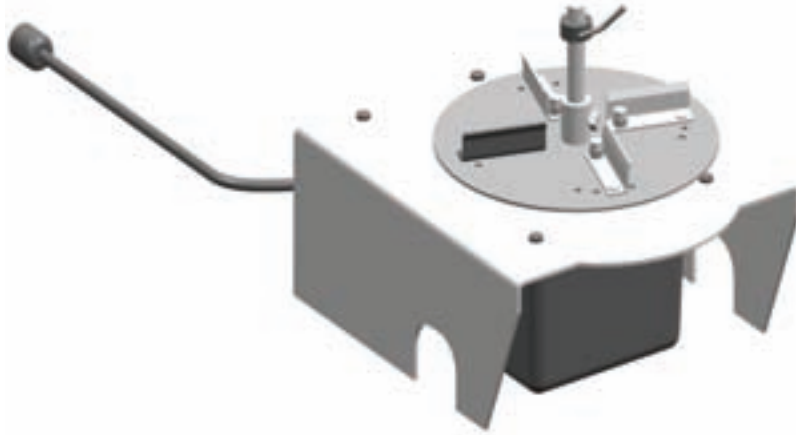
TS-1200-E / TS-1200-P  
 Assembly Views



Key	Part No.	Description	Qty.	Key	Part No.	Description	Qty.
<b>1</b>	D 5724	3/8-16 x 1-3/4 HHCS	2	<b>11</b>	D 4124	3/8-16 Lock Nut	2
<b>2</b>	D 6576	5/16-18 X 1-1/4 HHCS	4	<b>12</b>	D 6528	1/2-13 x 1 Flange Bolt	4
<b>3</b>	D 6165	5/16 USS Flat Washer	4	<b>13</b>	D 6463	Large Plastic Push Pin	2
<b>4</b>	D 4125	3/8 USS Flat Washer	2	<b>14</b>	D 6110	Plastic Deflector	1
<b>5</b>	T 30300	Hopper	1	<b>15</b>	T 30219	Plastic Tube End Cap	2
<b>6</b>	T 30204	Clevis Three Point Bracket	1	<b>16</b>		Complete Gate Assembly (see pg 29)	1
<b>7</b>	D 4121	3/8-16 x 1 HHCS	2	<b>17</b>	A 6223	Complete Drive Assembly (see pg 31)	1
<b>8</b>	D 4313	3/8 Lock Washer	2	<b>18</b>	D 4133	5/16 Lynch Pin	2
<b>9</b>	D 4137	Lift Arm Pin Assembly	2				
<b>10</b>	T 30304	Frame Weldment	1				

# TS-700-E / TS-1200-E

## Electric Drive Exploded View



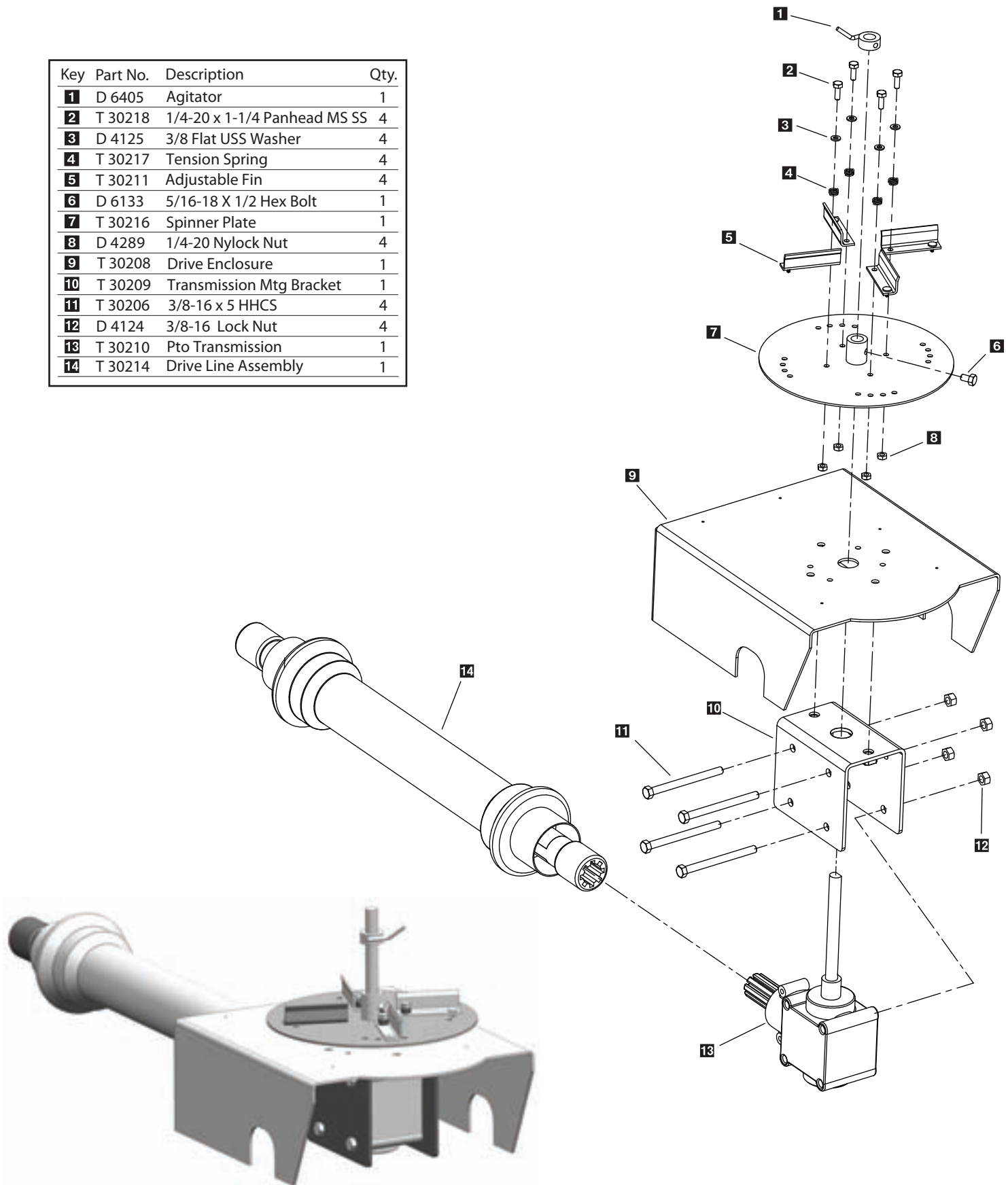
Key	Part No.	Description	Qty.
<b>1</b>	D 6405	Agitator	1
<b>2</b>	T 30218	1/4-20 x 1-1/4 Panhead MS SS	4
<b>3</b>	D 4125	3/8 Flat USS Washer	4
<b>4</b>	T 30217	Tension Spring	4
<b>5</b>	T 30211	Adjustable Fin	5
<b>6</b>	D 6133	5/16-18 X 1/2 Hex Bolt	1
<b>7</b>	T 30216	Spinner Plate	1
<b>8</b>	D 4289	1/4-20 Nylock Nut	4
<b>9</b>	D 6131	1/4-20 x 1/2 Serrated Flange	4
<b>10</b>	D 6487	#8 x 1/2 HWH With Slot	5
<b>11</b>	T 30208	Drive Enclosure	1
<b>12</b>	D 6106	12 Volt Spinner Motor	1
<b>13</b>	D 6232	Drive Coupler	1
<b>14</b>	D 6715	Spinner Transmission	1
<b>15</b>	D 6172	#10-32 x 5/8 Serrated Flange	2
<b>16</b>	D 6115	Power Cord	1
<b>17</b>	D 7153	Plastic Motor Cover	1

# TS-700-P / TS-1200-P

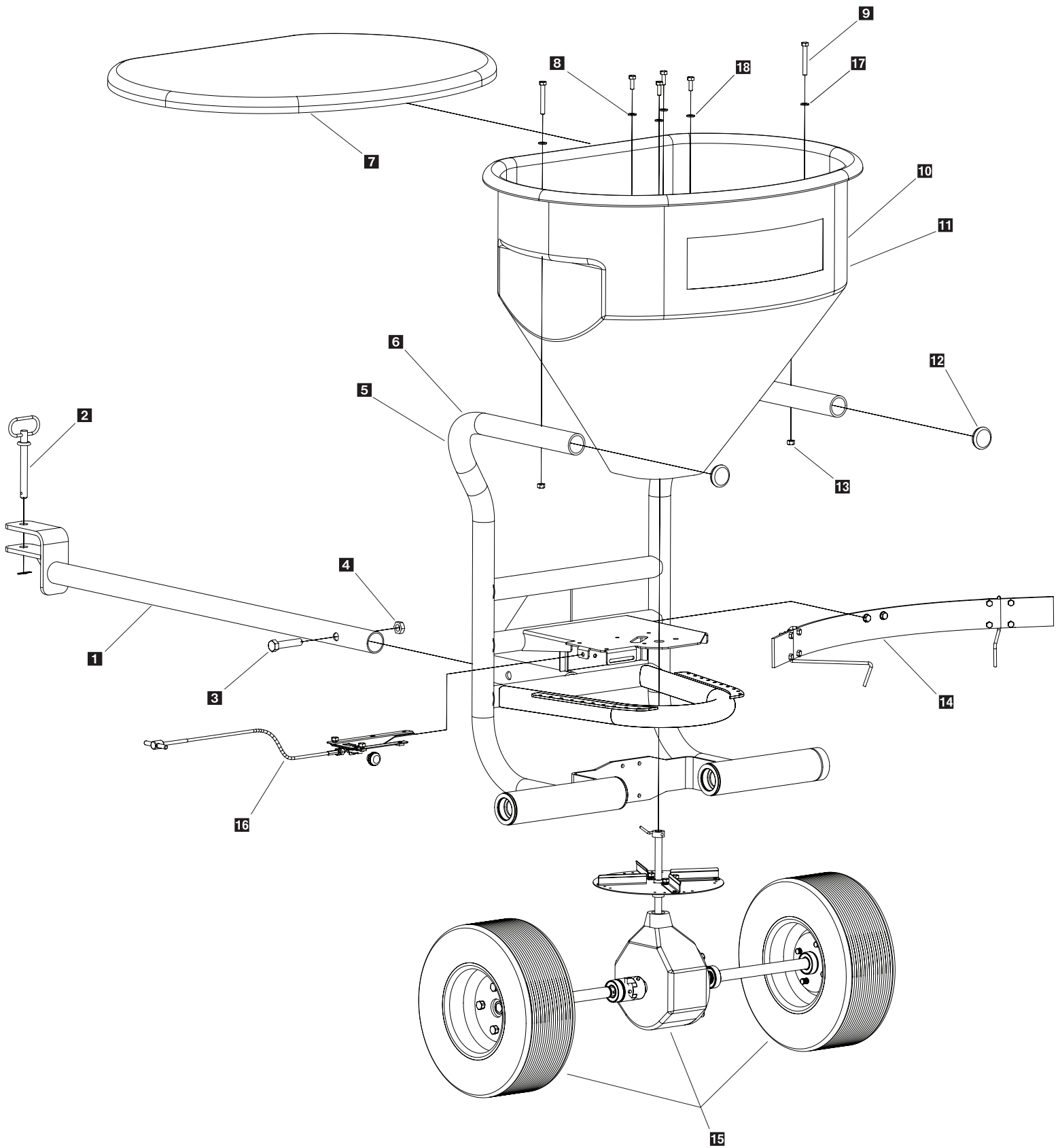
## PTO Drive Exploded View



Key	Part No.	Description	Qty.
1	D 6405	Agitator	1
2	T 30218	1/4-20 x 1-1/4 Panhead MS SS	4
3	D 4125	3/8 Flat USS Washer	4
4	T 30217	Tension Spring	4
5	T 30211	Adjustable Fin	4
6	D 6133	5/16-18 X 1/2 Hex Bolt	1
7	T 30216	Spinner Plate	1
8	D 4289	1/4-20 Nylock Nut	4
9	T 30208	Drive Enclosure	1
10	T 30209	Transmission Mtg Bracket	1
11	T 30206	3/8-16 x 5 HHCS	4
12	D 4124	3/8-16 Lock Nut	4
13	T 30210	Pto Transmission	1
14	T 30214	Drive Line Assembly	1

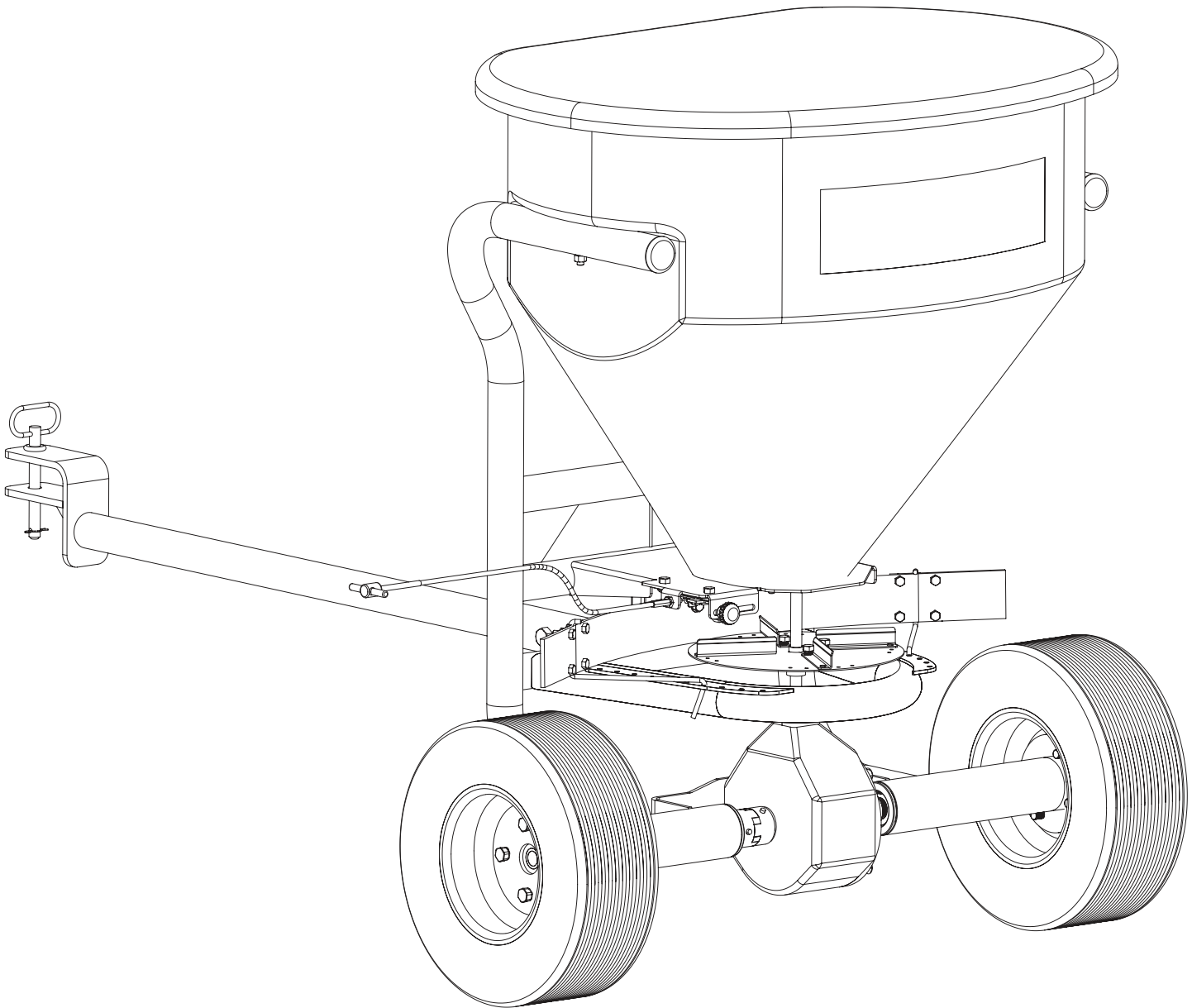


Main Frame Assembly



# TS-700-GR / TS-1200-GR

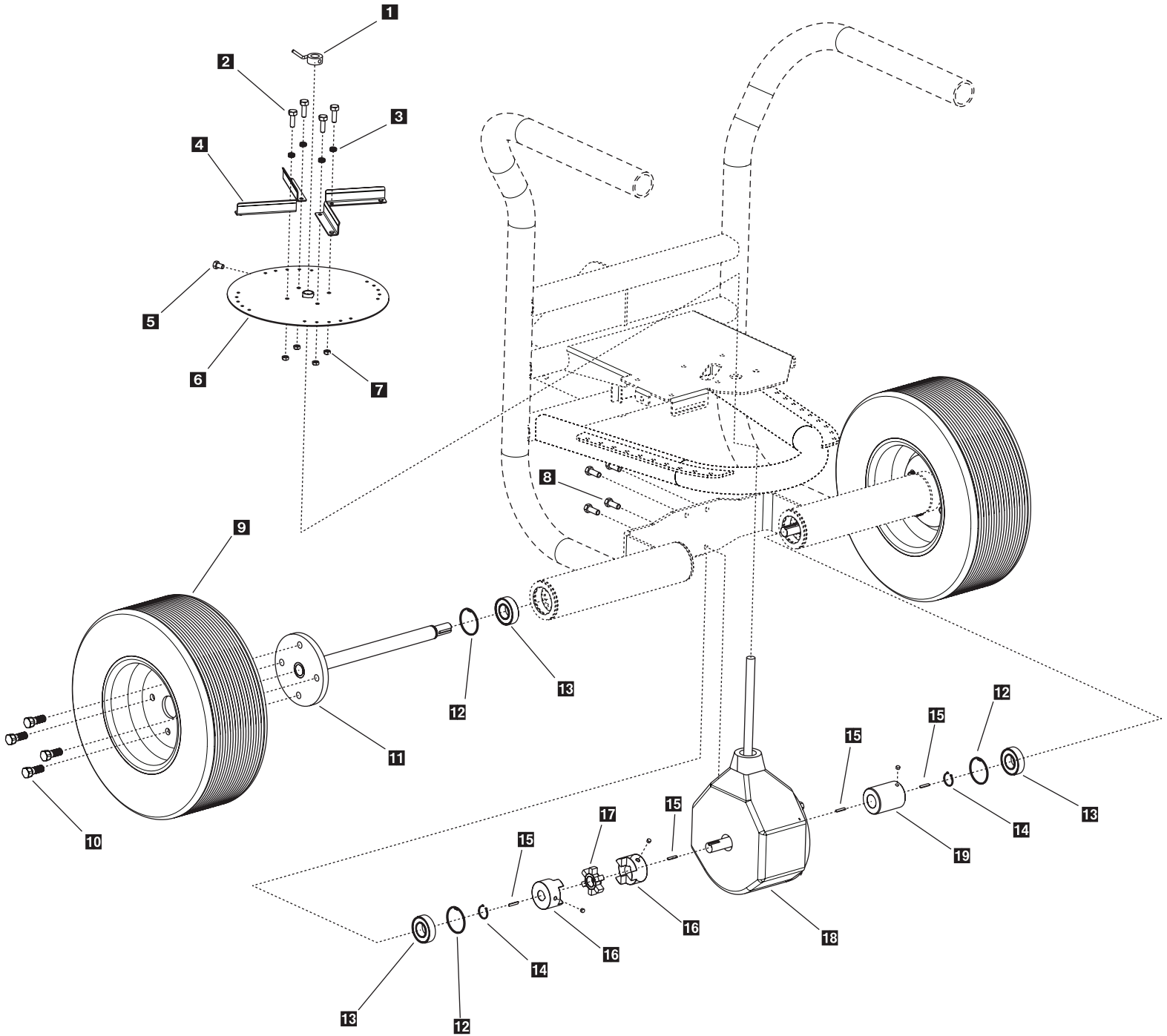
## Assembly Breakdown



Key	Part No.	Description	Qty.	Key	Part No.	Description	Qty.
1	T 30231	Drawbar	1	11	T 30200	700 Series Hopper	2
2	D 4136	Hitch Pin W/Clip	1	12	T 30219	2 Inch Plastic End Cap	4
3	D 4126	5/8-11 x 3-1/2 Hex Head	1	13	D 4124	3/8-15 Nylox Nut Zinc	2
4	D 4127	5/8-11 Nylox Nut	1	14		Adjustable Deflector Assembly (See Pg. 43)	
5	T 30225	700 Series Frame	1	15		Spinner/Axle Drive Assembly (See Pg. 32,33)	
6	T 30240	1200 Series Frame	1	16		Gate Control Assembly (See Pg. 32)	
7	T 30215	Clear Cover	1	17	D 4125	3/8 Flat Washer Zinc	2
8	D 6137	5/16-18 x 1-1/4 Phillips Pan Head MS SS	4	18	D 6169	3/8 Flat Washer SS	4
9	D 5724	3/8-16 x 2-3/4 Hex Head	2				
10	T 30300	1200 Series Hopper	1				

# TS-700-GR/TS-1200-GR

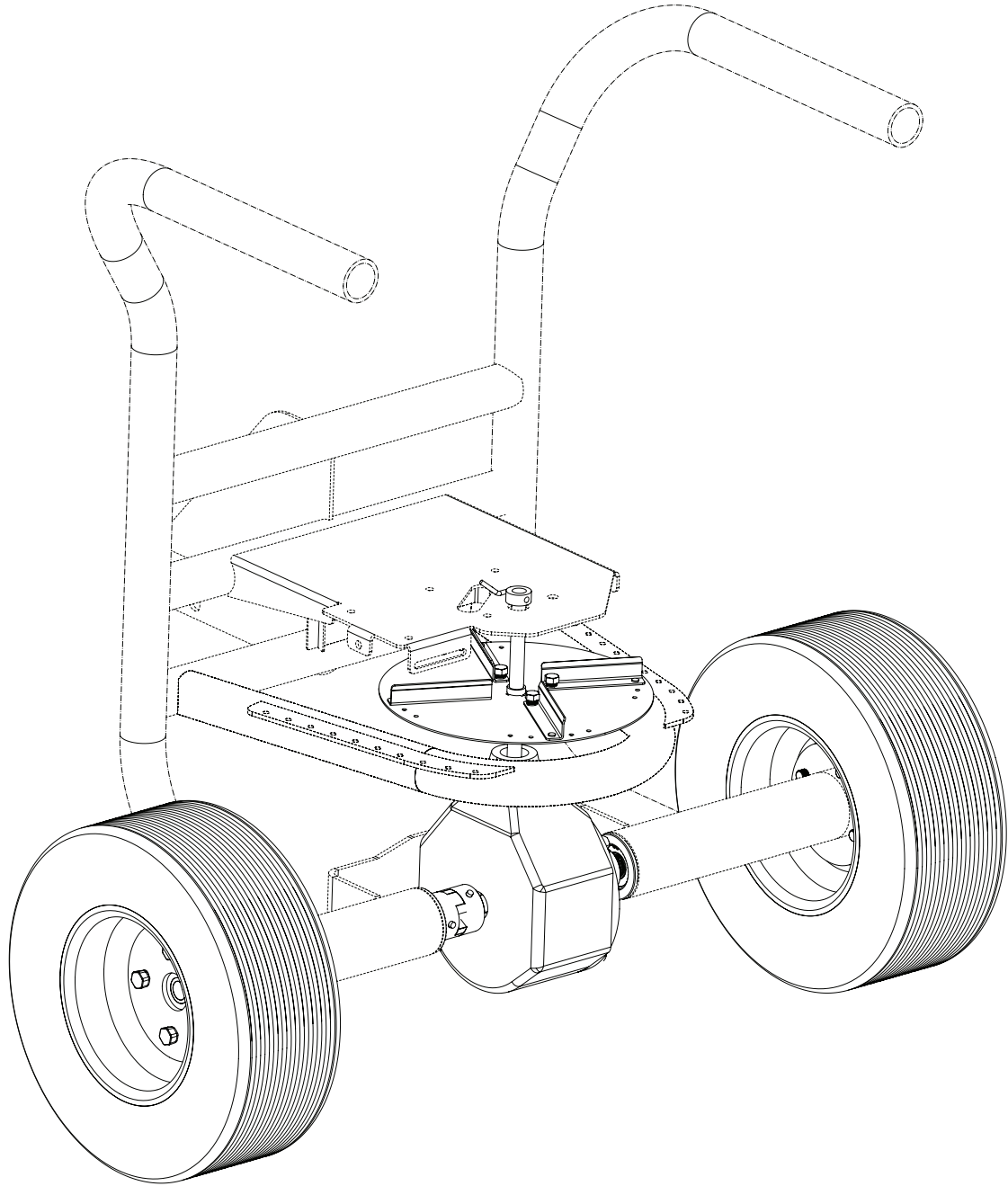
## Drive Assembly



# TS-700-GR/TS-1200-GR



## Parts Breakdown

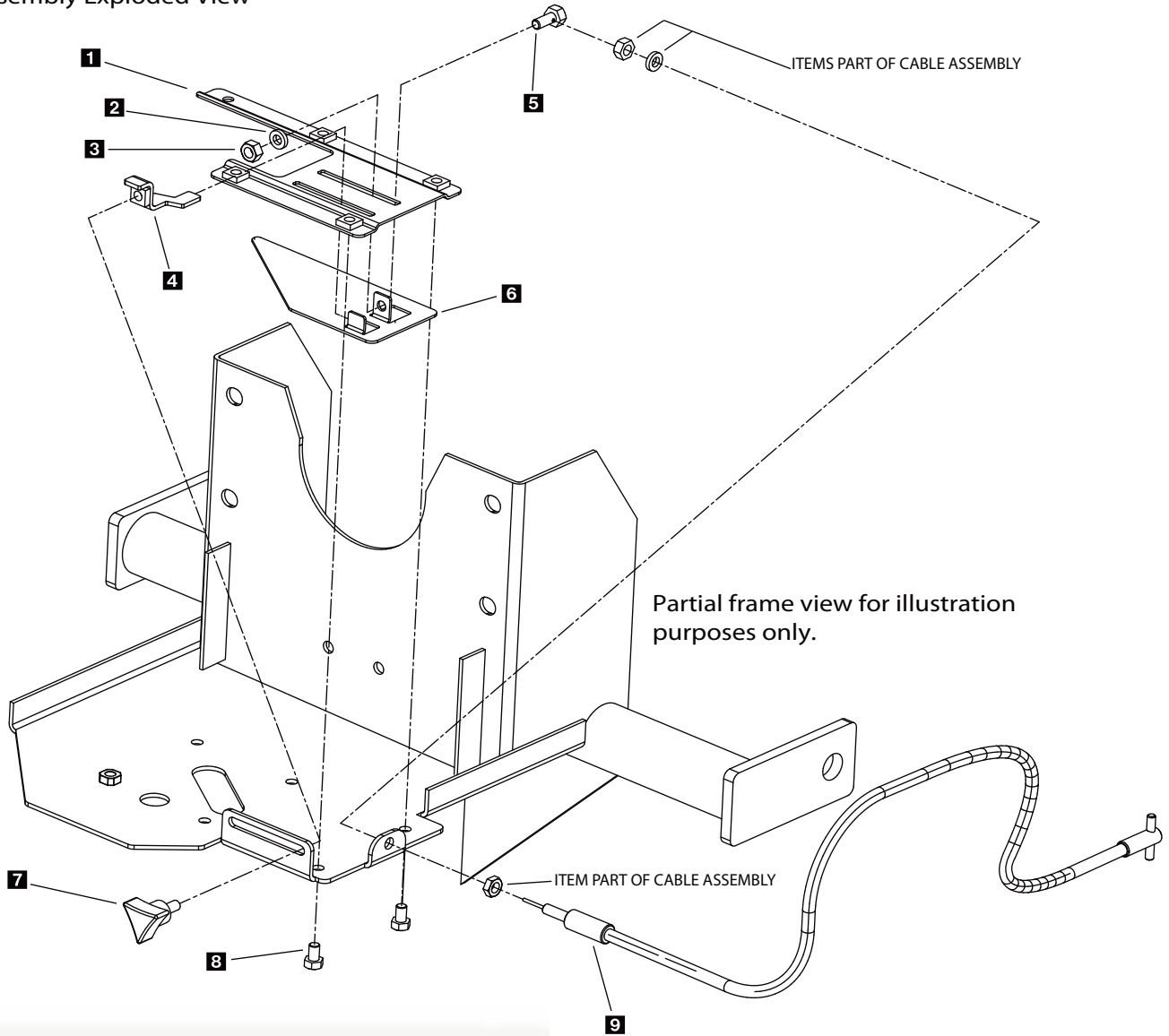


Key	Part No.	Description	Qty.	Key	Part No.	Description	Qty.
1	D 6705	Agitator	1	12	T 30233	52 mm Bearing Retainer	4
2	T 30218	1/4-20 x 1-1/4 Panhead MSSS	4	13	T 30232	Bearing	4
3	T 30217	Fin Tension Spring	4	14	T 30234	1 Inch Retainer Ring	2
4	T 30211	Adjustable Flite	4	15	D 6873	3/16 Keyway Stock	4
5	D 6133	5/16-18 x 1/2 HHCS	1	16	D 6842	Lovejoy Coupling	2
6	T 30216	10 Inch Spinner Plate	1	17	D 6843	Spyder	1
7	T 15016	1/4-20 Nylock Nut SS	4	18	T 30226	Ground Drive Transmission	1
8	D 6576	5/16-18 x 1-1/4 HHCS	4	19	T 30236	Coupling	1
9	T 30229	Wheel Assembly	2				
10	T 30230	Lug Bolt	8				
11	T 30227	Axle	2				

# TS-700-E/GR/P & TS-1200-E/GR/P

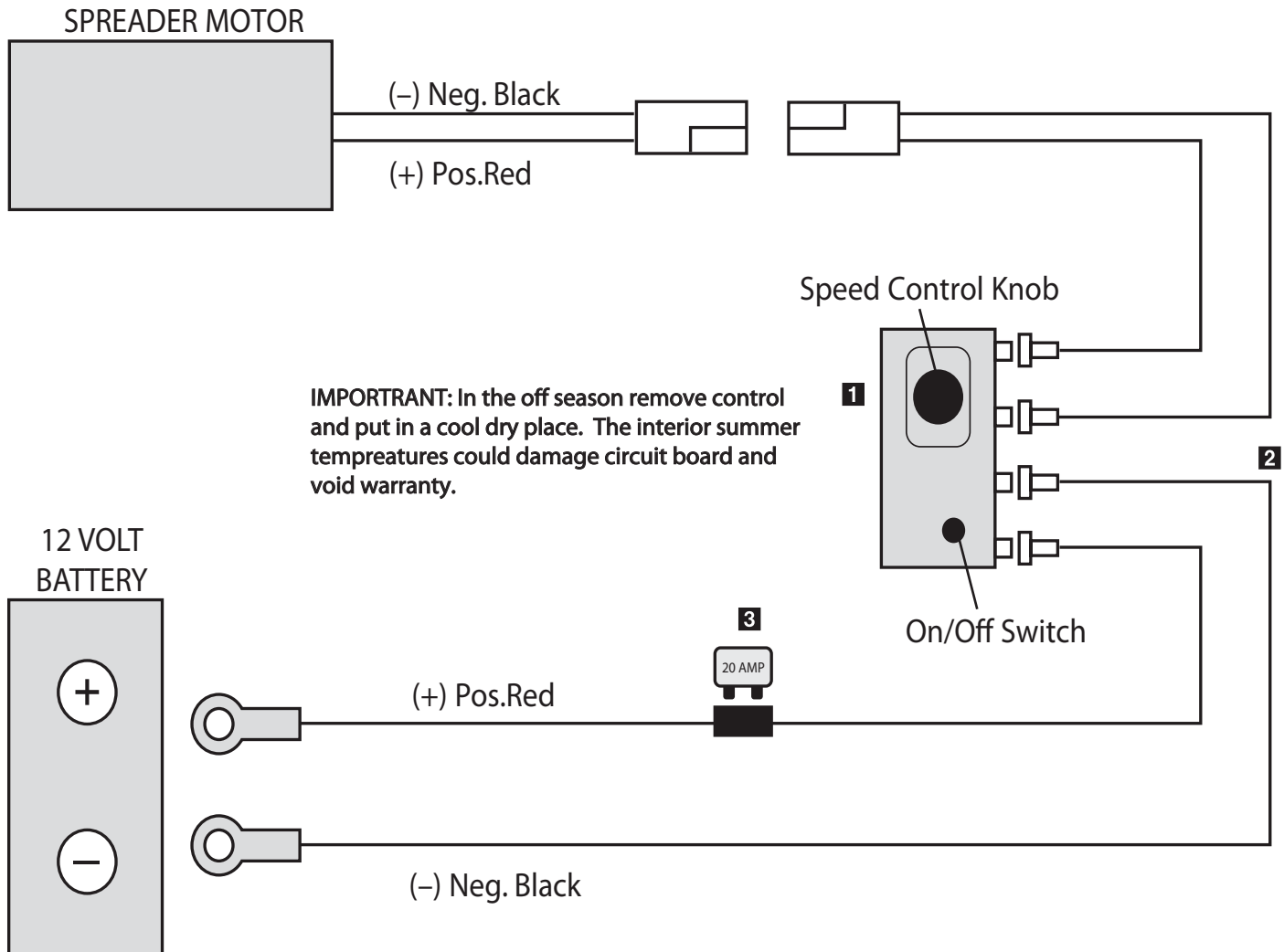


## Gate Assembly Exploded View



Key	Part No.	Description	Qty.
1	D 6704	Gate Track	1
2	D 6155	5/16 Lock Washer	1
3	D 6168	5/16 Hex Nut	1
4	D 6703	Gate Stop Bracket	1
5	D 6308	5/16-18 x 3/4 HH With Hole	1
6	D 6705	Gate Slide	1
7	D 6302	Gate Slide Stop Knob	1
8	D 6133	5/16-18 x 1/2 HHCS	2
9	D 6304	10' T-Handle Gate Cable	1



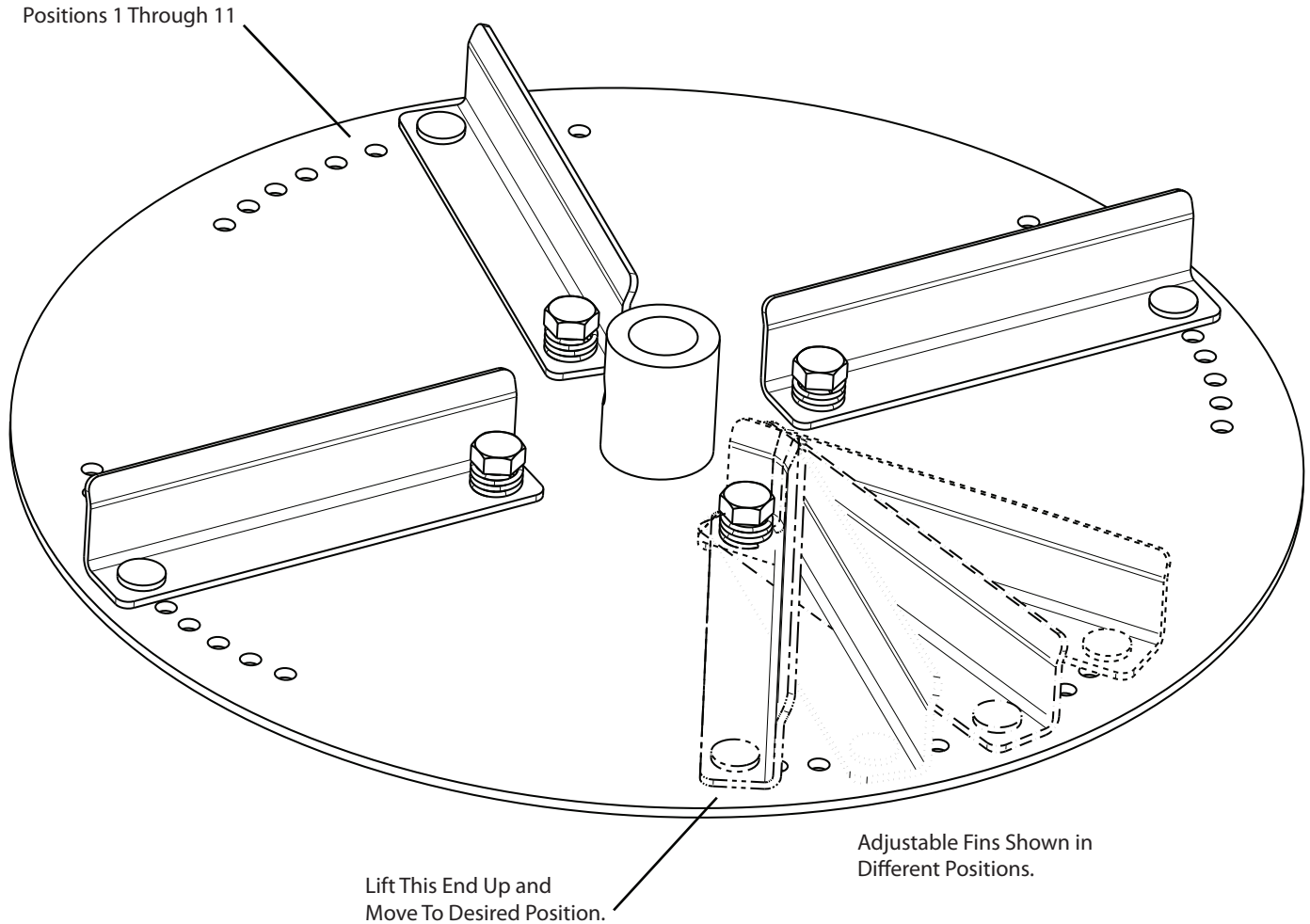


Key	Part No.	Description	Qty.
<b>1</b>	D 7171	Mini Control	1
<b>2</b>	D 7201	Harness	1
<b>3</b>	D 6482	20 Amp Breaker	1

**THIS PAGE INTENTIONALLY LEFT BLANK**

**THIS PAGE INTENTIONALLY LEFT BLANK**

Adjustable Spinner Assembly



The purpose of the adjustable fin is to provide a way to adjust spread patterns with different materials. You can select the desired position by simply lifting up on the outside top edge. You will notice that different materials act in different ways in relation to spinner speed. By moving the fins you will be able to correct most pattern issues without having to sacrifice spinner speed. All adjustments should be made on pavement and positions noted for future reference, this process should be incorporated into your normal calibration process.

# TS - 300-E/EG & TS - 700/ TS - 1200 E/GR/P

## Calibration Chart



TURFEX TS-300-E/EG					
GATE SETTING	UREA 46-0-0	LESCO TURFACE	LESCO SHADE MIX	LESCO FERT 30-0-10	LESCO INSECTICIDE
1	X	X	X	X	0.57
2	1.39	0.83	X	0.39	5.28
3	7.15	2.11	X	3.84	14.38
4	10.54	X	0.18	8.79	18.06
5	15.97	X	0.40	13.55	30.24
6	24.66	X	0.51	17.07	35.04
7	31.36	14.70	0.66	23.94	50.32
8	35.70	X	0.98	29.74	56.22
9	47.70	X	1.78	39.38	64.56
10	55.29	X	5.59	45.20	76.47
11	63.39	37.95	7.27	53.22	82.59
12	73.59	X	8.72	64.64	106.49
13	78.60	X	10.00	69.06	122.64
14	83.08	X	11.81	73.80	133.72
15	93.52	57.32	11.94	91.32	145.00

FLOW RATES ARE CALCULATED AT POUNDS PER MINUTE

TURFEX TS-700-E/GR/P CALIBRATION DATA					
GATE SETTING	UREA 46-0-0	LESCO TURFACE	LESCO SHADE MIX	LESCO FERT 30-0-10	LESCO INSECTICIDE
1	1.18	X	X	X	3.64
2	3.37	2.59	.21	1.54	10.99
3	9.37	4.66	.28	7.88	20.32
4	14.08	X	1.28	12.89	27.52
5	23.82	X	1.67	16.77	42.78
6	27.61	X	2.14	19.27	47.16
7	32.72	15.52	3.35	25.34	58.48
8	41.24	X	4.02	35.26	64.56
9	46.16	X	7.02	40.82	85.44
10	58.11	X	7.22	45.81	97.52
11	70.29	34.40	8.33	57.37	104.16
12	70.95	X	8.68	62.14	105.66
13	79.44	X	12.60	67.29	118.56
14	87.78	X	12.68	70.48	121.14
15	89.43	59.92	14.19	74.24	140.16

FLOW RATES ARE CALCULATED AT POUNDS PER MINUTE

TURFEX TS-1200-E/GR/P CALIBRATION DATA					
GATE SETTING	UREA 46-0-0	LESCO TURFACE	LESCO SHADE MIX	LESCO FERT 30-0-10	LESCO INSECTICIDE
1	X	X	X	X	0.57
2	1.39	0.83	X	0.39	5.28
3	7.15	2.11	X	3.84	14.38
4	10.54	X	0.18	8.79	18.06
5	15.97	X	0.40	13.55	30.24
6	24.66	X	0.51	17.07	35.04
7	31.36	14.70	0.66	23.94	50.32
8	35.70	X	0.98	29.74	56.22
9	47.70	X	1.78	39.38	64.56
10	55.29	X	5.59	45.20	76.47
11	63.39	37.95	7.27	53.22	82.59
12	73.59	X	8.72	64.64	106.49
13	78.60	X	10.00	69.06	122.64
14	83.08	X	11.81	73.80	133.72
15	93.52	57.32	11.94	91.32	145.00

FLOW RATES ARE CALCULATED AT POUNDS PER MINUTE

**NOTE:**  
Calibration Data Is For Reference Only



# Calibration Speed-Time-Distance Chart



TIME REQUIRED IN SECONDS TO TRAVEL A DISTANCE OF				SPEED-DISTANCE	
GROUND SPEED MPH	100 FEET	200 FEET	300 FEET	GROUND SPEED IN MPH	FEET TRAVELED PER MIN
<b>.05</b>	136	272	408	<b>0.5</b>	44
<b>1.0</b>	68	136	204	<b>1.0</b>	88
<b>1.5</b>	45	91	192	<b>1.5</b>	132
<b>2.0</b>	34	68	136	<b>2.0</b>	176
<b>2.5</b>	27	54	82	<b>2.5</b>	220
<b>3.0</b>	23	45	68	<b>3.0</b>	264
<b>3.5</b>	20	39	58	<b>3.5</b>	308
<b>4.0</b>	17	34	51	<b>4.0</b>	352
<b>4.5</b>	15	30	45		
<b>5.0</b>	14	27	41		
<b>6.0</b>	11	23	34		
<b>7.0</b>	9.7	19	29		
<b>8.0</b>	8.5	17	26		
<b>9.0</b>	7.6	15	23		
<b>10.0</b>	6.8	14	20		
<b>12.0</b>	5.7	11	17		
<b>15.0</b>	4.5	9	13.6		
<b>20.0</b>	3.4	6.8	10.2		

It is the responsibility of the person using this equipment to make sure that every type of material is properly calibrated to perform as expected. This process should take place on a solid flat surface away from drains and livestock areas in order to achieve a safe and accurate reading for proper material distribution. Failure to do so may cause an over/under application that could damage turf areas or give an ineffective pest control treatment. Any calibration charts contained in this manual are given as a reference point only and should not be used as an absolute condition. Spending a few extra minutes to properly calibrate will not only save on wasted materials and time but also protect turf and other vegetation. Below are several points to be aware of before operating your spreader in the field.

- Flow rates of chemicals can change for many reasons
  1. Formulations vary within the same brand or even between brands
  2. Formulations vary between batches or dates of manufacture
  3. Humidity can cause the material to clump and flow poorly
  4. Poor spreader maintenance can cause flow changes
  5. Slide stop has moved or calibrated to another type of material
  6. Human error can cause rate miscalculation
- Items needed for calibration
  1. A way to catch the material for weighing
  2. A device to measure distance
  3. A scale to weigh your product
  4. A stop watch or other means to time
- Conversion
  1. To convert pounds per 1000 square feet to pounds per acre, multiply your rate by 43.6
- Other important information
  1. 1 acre is equal to 43,600 Square Feet
  2. Ground speed is very important to keep in mind when doing calculations, you will want to convert mph to feet per minute

Set the spreader stop at mid point on it's travel length as a starting point. Fill the hopper with enough material to cover a known area of 1000 square feet. Open the gate and make note of the start/stop time, this is very important. Next weigh the material on a scale, divide the weight by the known area to establish an application rate. You may have to adjust the gate stop for more or less material depending on your results.

**THIS PAGE INTENTIONALLY LEFT BLANK**



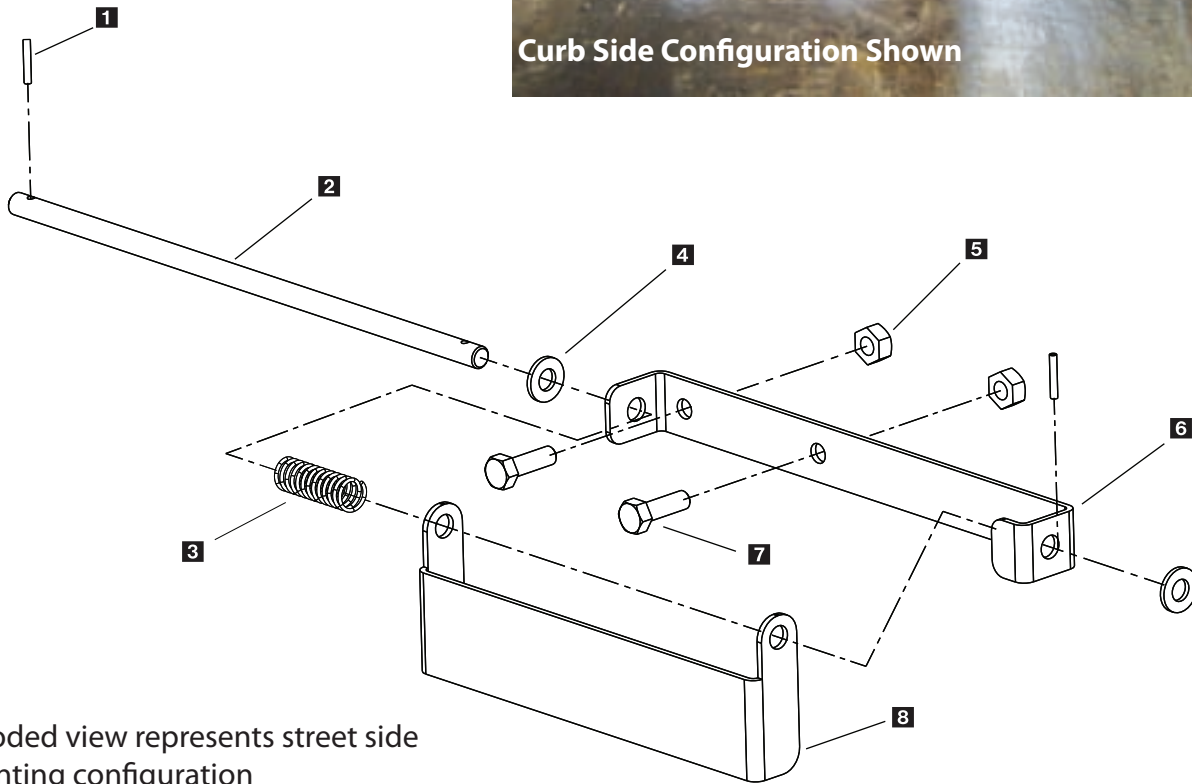
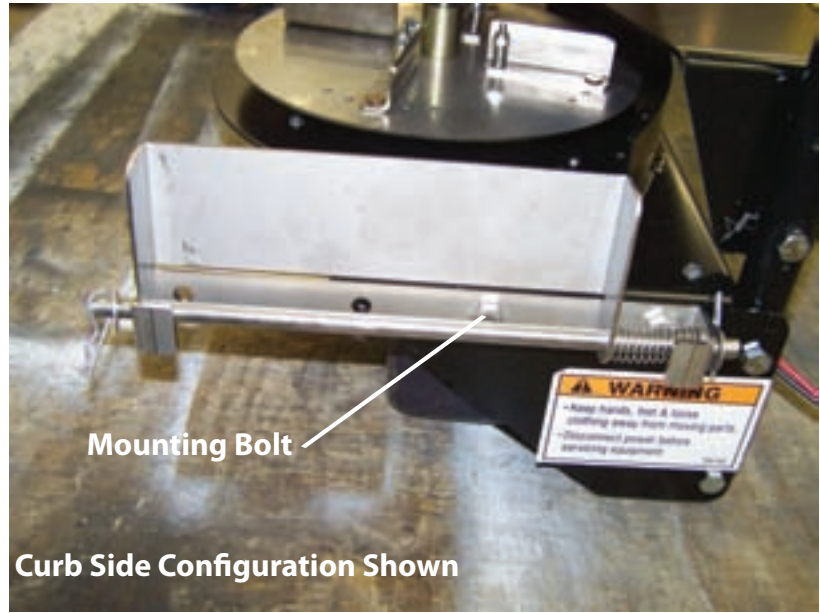
**THIS PAGE INTENTIONALLY LEFT BLANK**

# Deflector Kit

## Parts Breakdown



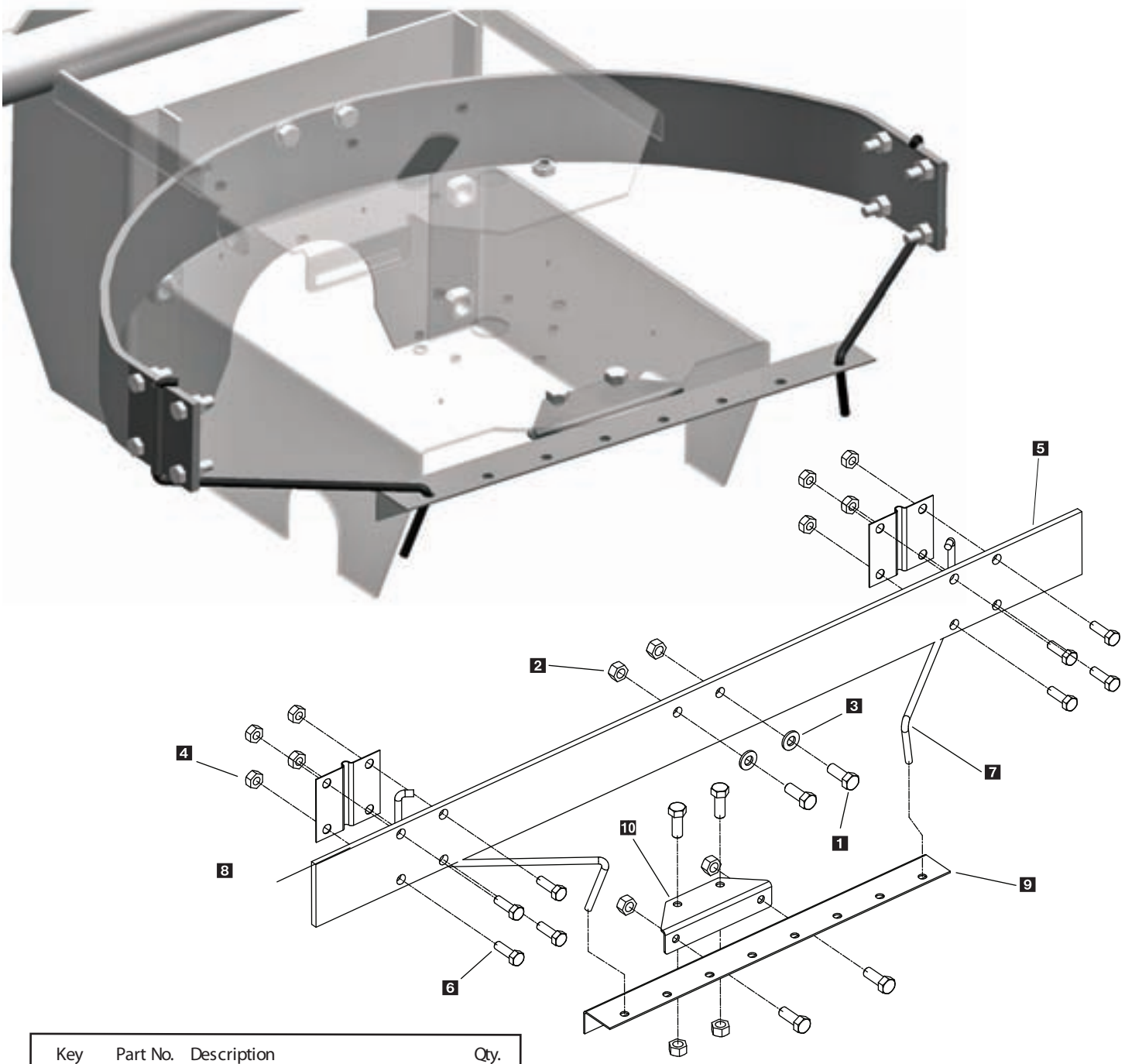
Step 1: Mount deflector to either right or left side of spreader as shown in picture.



Exploded view represents street side mounting configuration

Key	Part No.	Description	Qty.
<b>1</b>	D - 6853	Cotter Pin	2
<b>2</b>	T-15055	Side Deflector Hinge Pin	1
<b>3</b>	T-15056	Compression Spring	1
<b>4</b>	D - 6169	3/8 Flat Washer SS	2
<b>5</b>	T-15018	5/16 Nylock Nut SS	2
<b>6</b>	T-15054	Deflector Mounting Bracket	1
<b>7</b>	D - 6418	5/16 - 18 x 1 Hex Bolt ss	2
<b>8</b>	T-15053	Side Deflector	1

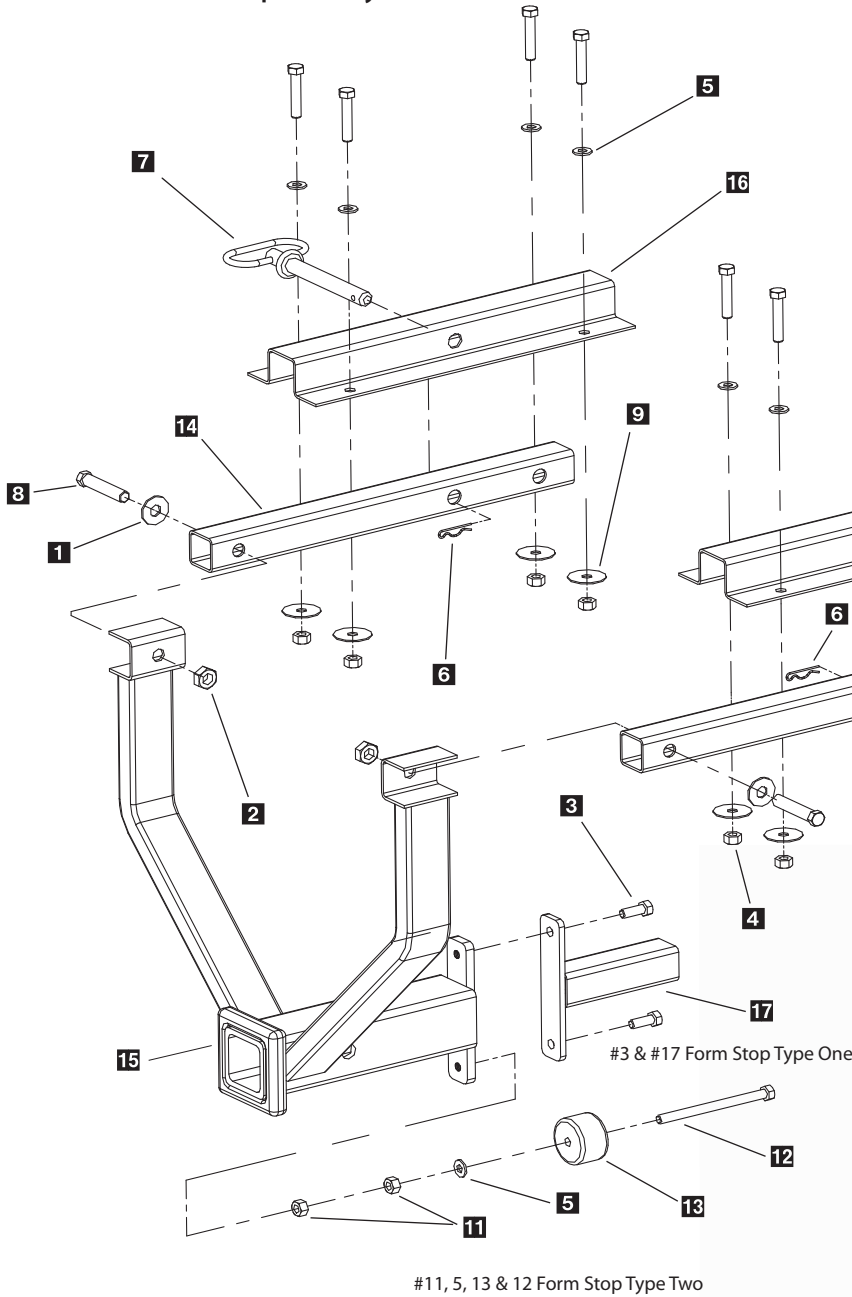
TS-700-E / P & TS-1200-E / P  
 ADF-020 Adjustable Deflector Kit



Key	Part No.	Description	Qty.
1	D 4121	3/8" - 13 x 1" Hex Bolt	2
2	D 4124	3/8" - Locknuts	2
3	D 4125	3/8" - Flatwashers	2
4	D 6138	5/16" - 18 Locknut	10
5	D 6154	36" Deflector	1
6	D 6166	5/16" - 18 x 1" Hex Bolt	10
7	D 6179	Deflector Adjustment Bracket	1
8	D 6180	Adjustment Bar Mounting Bracket	2
9	D 6181	Adjustment Bar	2
10	T 30222	Front Adapter Bracket	1

# TS-300-E / TS-300-EG

## DRM-175 Drop Utility Mount



Maximum Load Weight Not To Exceed 240 lbs. Gross

Key	Part No.	Description	Qty.	Key	Part No.	Description	Qty.
1	D 4119	1/2" Flat Washer	2	10	D 6420	3/8" - 16 x 2 Truss Bolt Full Thread	8
2	D 4120	1/2"-Lock Nut	2	11	D 6421	3/8" - 16 Hex Nut	2
3	D 4121	3/8"-16x1 Hex Bolt	2	12	D 6422	3/8" - 16 x 5" Hex Bolt	1
4	D 4124	3/8"-Lock Nut	8	13	D 6423	2" Rubber Stopper	1
5	D 4125	3/8" Flat Washer	9	14	D 6432	Mounting Rail	2
6	D 4135	2 - 5/16" Hair Pin Clip	2	15	D 6434	Drop Mount Weldment	1
7	D 4136	5/8" x 5-1/2" Hitch Pin	2	16	D 6435	Mounting Rail Hat Section	2
8	D 6246	1/2" - 13 x 2-1/2" Hex Bolt	2	17	D 6436	Mule Adapter	1
9	D 4318	3/8" Fender Washer	8				

## MULE 550

Step 1: Temporarily remove the tailgate. Remove the bed liner if equipped.

Step 2: Bolt support rails to spreader mount with 1/2" bolts. Install 1/2" hex bolt with washer through rail first then spreader spreader mount. Install 1/2" locknut and tighten. Avoid over tightening to avoid potentially crushing tube.

Step 3: Place spreader mounting rails over spreader mount support rails and install pins. Locate the spreader bracket mounting rails on top of the bed by centering left to right and positioning the rear edged of the rails 5/8" beyond the rear of the bed. Transferring mounting holes to bed & drill 7/16".

Important: Check for proper clearance underneath bed before drilling holes.

Step 4: Bolt rails under belt with truss head bolts, fender washers, SAE washers and nylon lock nuts. Install the spreader bracket before tightening hardware. The tailgate and bed liner may be reinstalled now.

Step 5: Install 550 anti dump bracket with (2) 3/8" bolts provided.

Step 6: Install gate control cable per attached instructions.

Step 7: Route cables at your discretion and install switch.

## MULE 2500

The installation of the spreader on the 2500 is the same as the 550 with the following exceptions.

Step 1: When positioning the mounting rails the end of the rails should be 1/2" forward of the rear edge of the bed.

Step 2: The universal anti dump threads into the lower weld nut on the spreader bracket assembly. Adjust rubber bumper to be 1/2" to 3/4" behind the rear axle - receiver hitch assembly.

## CLUB CAR CARRYALL

Step 1: Remove the bed tailgate and bottom angle trim. Also remove the 2 rear carriage bolts from the floor of the bed.

Step 2: Place spreader mounting rails over spreader mount and install pins. Locate the 2 front outside mounting rails over the holes from the carriage bolts remove in step 1.

Step 3: Install truss head bolts, fender washers, SAE washers and nylon lock nuts in the carriage bolt holes. Transfer the remaining mounting rail holes and bolt rails into bed.

## JOHN DEERE GATOR

Step 1: Remove the bed tailgate.

Step 2: Place spreader mounting rails over spreader mount and install pins.

Step 3: Locate the spreader bracket mounting rails on top of the bed by centering left to right, push main mount flush up against rear of bed to locate mounting rails. Transfer mounting holes to bed.

Step 4: Install mounting rails with truss head bolts, fender washers, SAE Washers and nylon lock nuts in the 1/2" mounting holes.

Step 5: The universal anti dump threads into the lower weld nut on the spreader bracket assembly. The rubber bumper should be adjusted to rest against the frame of the vehicle. The trailer hitch bracket may need to be relocated depending on configuration.

**CAUTION: MAXIMUM WEIGHT NOT TO EXCEED 240 LBS.**

# Trailer Mount

Model #TLR-175

**MAXIMUM LOAD WEIGHT NOT TO EXCEED 240 LBS. GROSS**

## TRAILER MOUNT ASSEMBLY INSTRUCTIONS

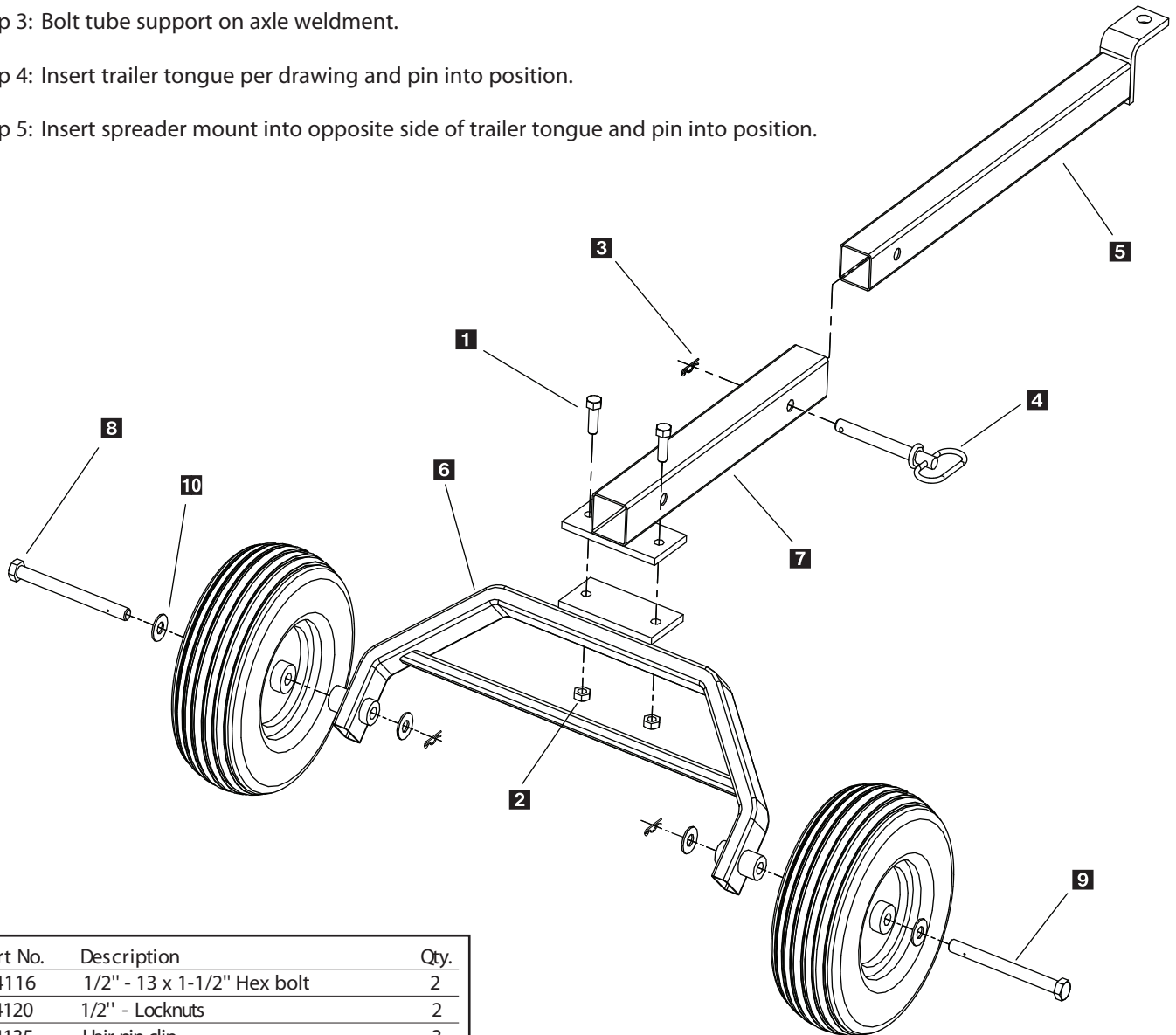
Step 1: Insert axle through wheel and axle weldment.

Step 2: Put washer on then install hair pin clip to secure axle. Repeat Steps 1 & 2 for other side.

Step 3: Bolt tube support on axle weldment.

Step 4: Insert trailer tongue per drawing and pin into position.

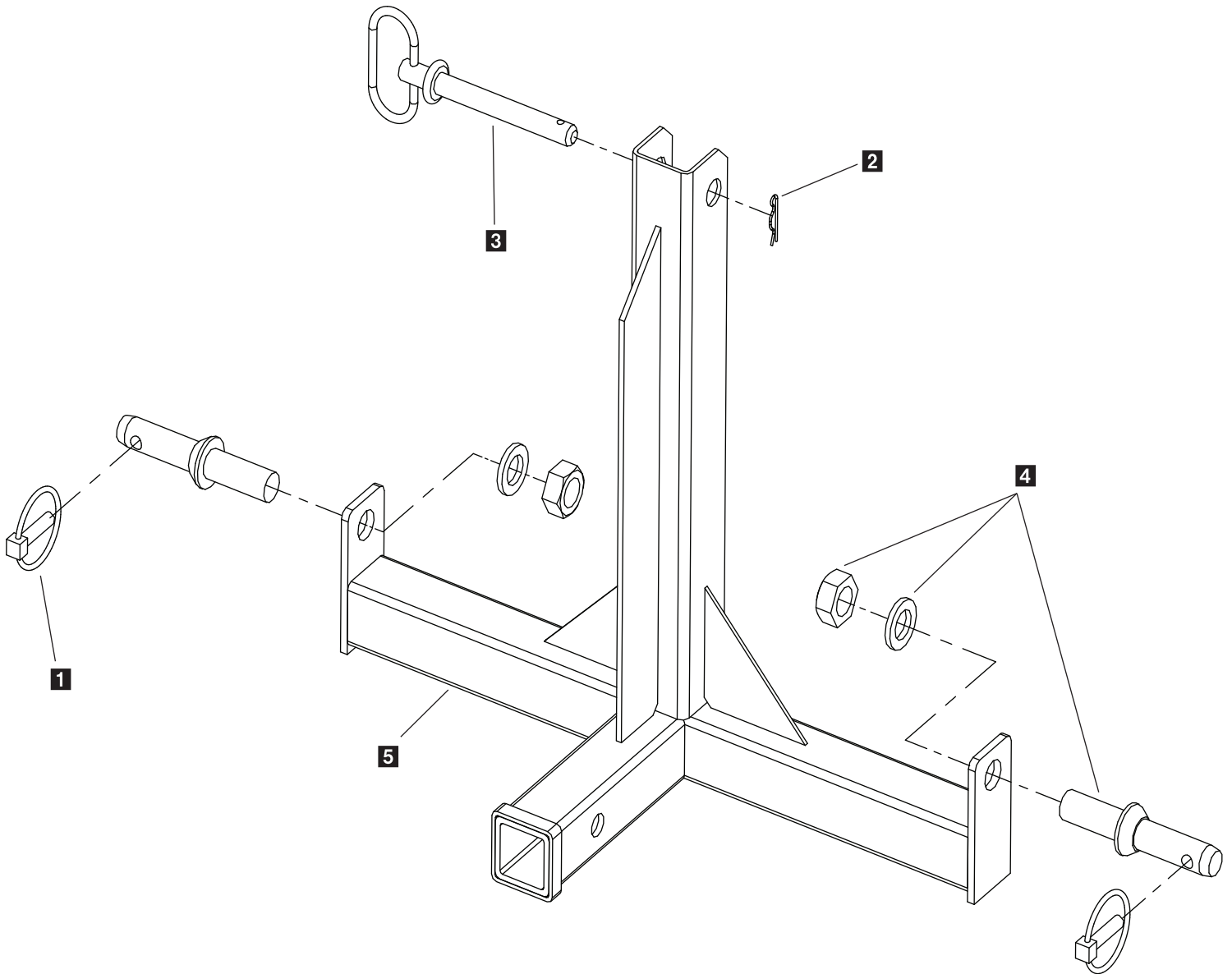
Step 5: Insert spreader mount into opposite side of trailer tongue and pin into position.



Key	Part No.	Description	Qty.
1	D 4116	1/2" - 13 x 1-1/2" Hex bolt	2
2	D 4120	1/2" - Locknuts	2
3	D 4135	Hair pin clip	3
4	D 4136	5/8" x 5 -1/2" Hitch pin	1
5	D 6438	Trailer tongue	1
6	D 6439	Trailer "A" frame	1
7	D 6440	Receive tube mount	1
8	D 6441	Trailer tire	2
9	D 6442	5/8" - 13 x 7" Hex bolt special	2
10	D 6443	5/8" Flat washers	4

# 3-Point Mount

Model #TPM-175

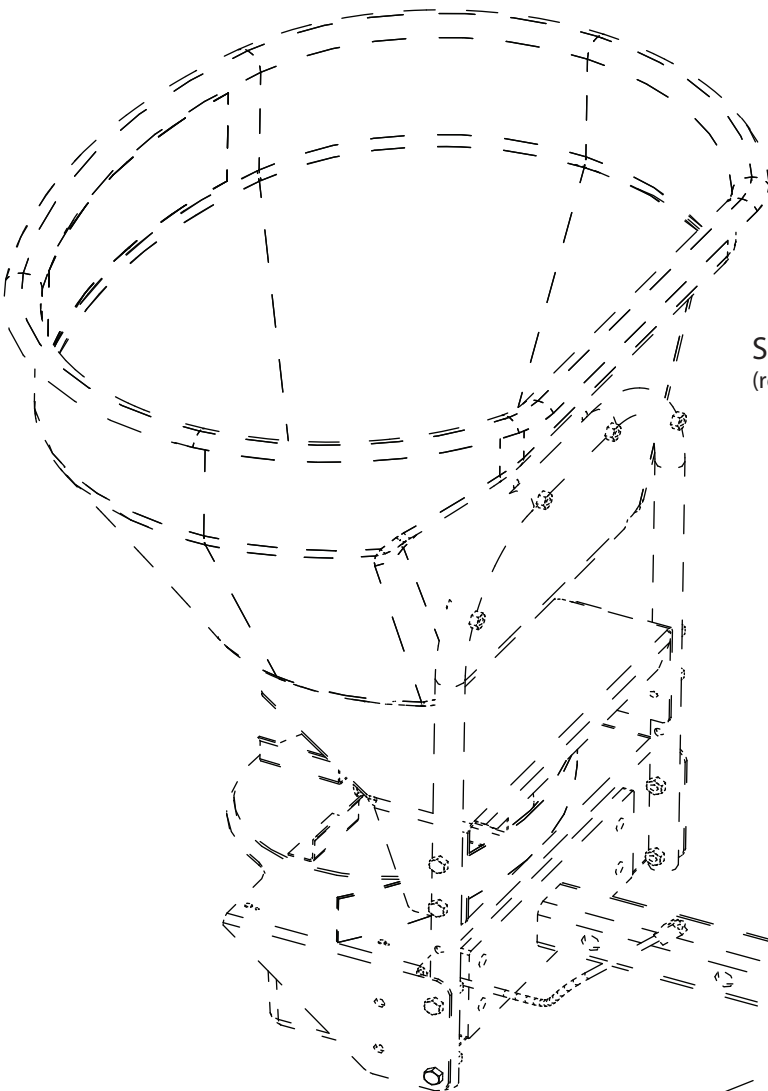


Key	Part No.	Description	Qty.
1	D 4133	5/16" Linch Pin	2
2	D 4135	2-5/16" Hairpin Clip	1
3	D 4136	5/8" x 5-1/2" Hitch Pin	1
4	D 4137	7/8" x 5-1/2" Lift Arm Pin	2
5	D 6147	3-Point Frame	1

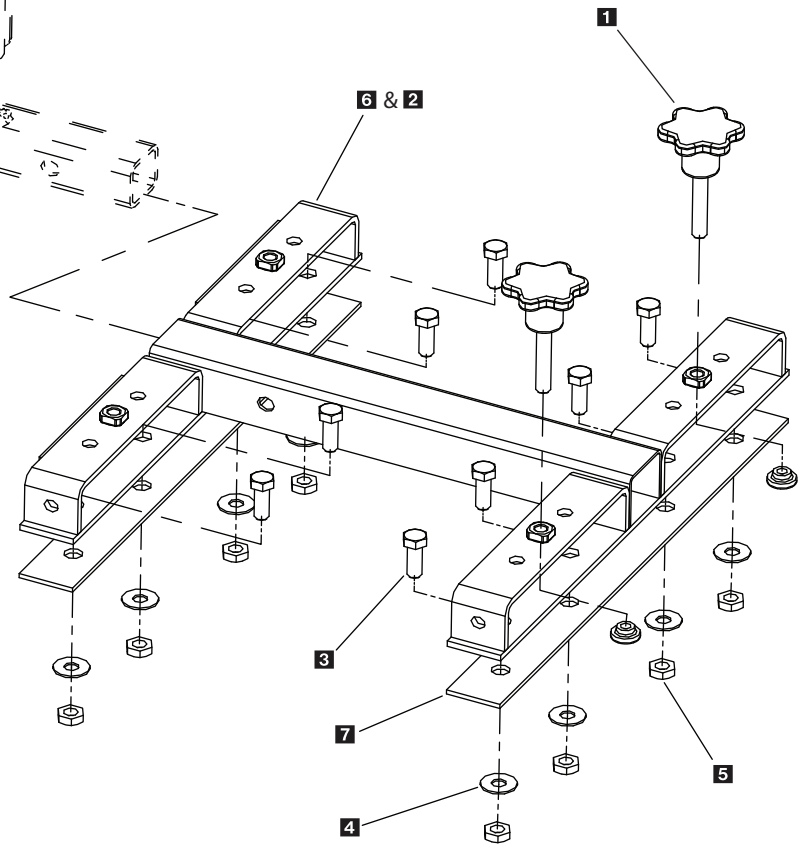
CAUTION: MAXIMUM OF 240 LBS. GROSS WEIGHT CAN BE PUT ONTO MOUNT.

# Utility Mount

Model #UTM/FLM-175



Spreader  
(reference only)



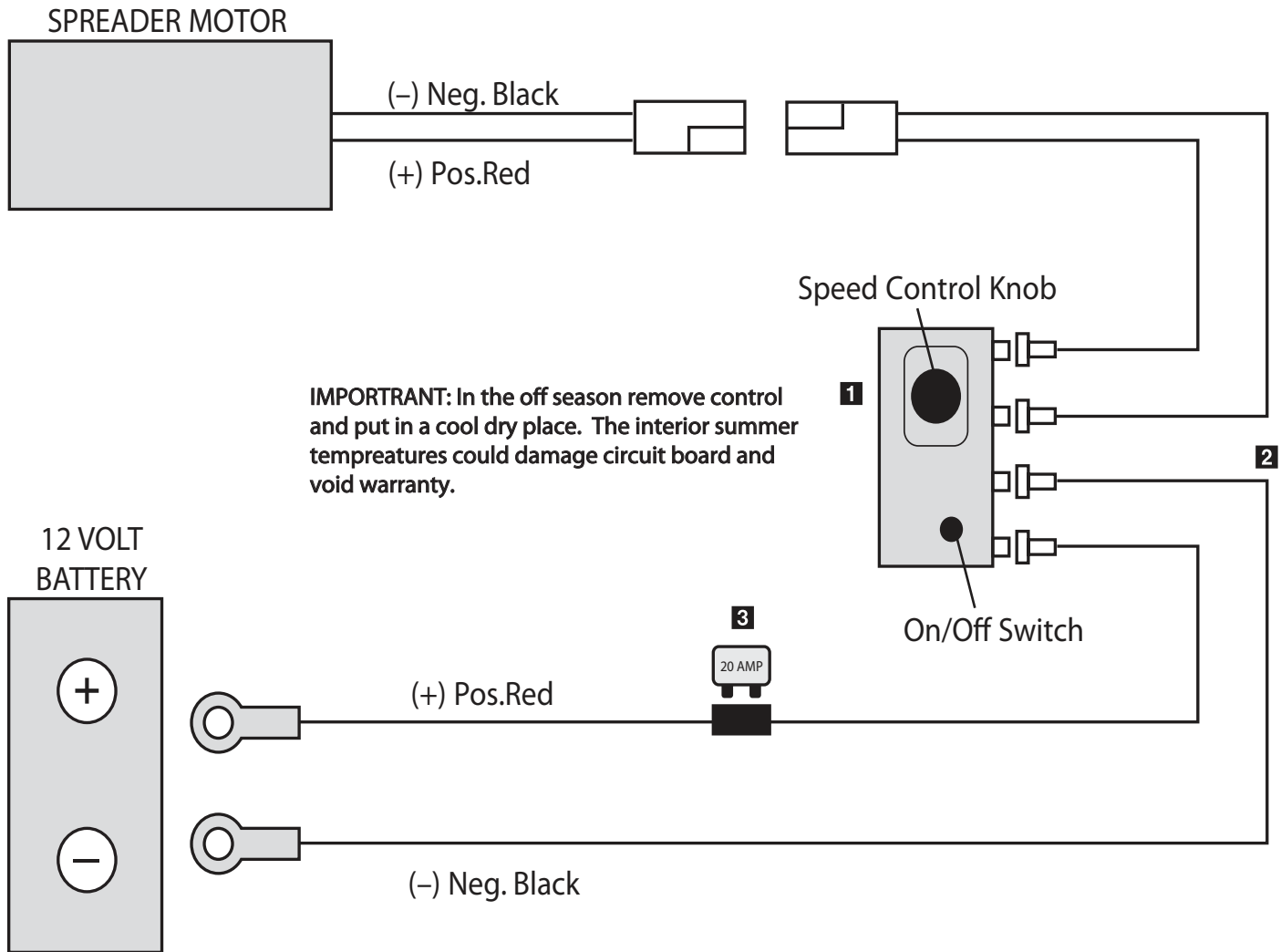
Maximum Load Weight  
Not To Exceed 240 lbs. Gross

Key	Part No.	Description	Qty.
<b>1</b>	D 4315	Lock Knob Assembly (FLM-175 Only)	2
<b>2</b>	D 6426	Fork Lift Mount Frame (FLM)	1
<b>3</b>	D 4116	1/2"-13 x 1 1/2" Hex Bolt	8
<b>4</b>	D 4119	1/2" Flat Washer	8
<b>5</b>	D 4120	1/2" Lock Nut	8
<b>6</b>	D 6148	Utility Receiver (UTM)	1
<b>7</b>	D 6235	Underbody Support Plate	2

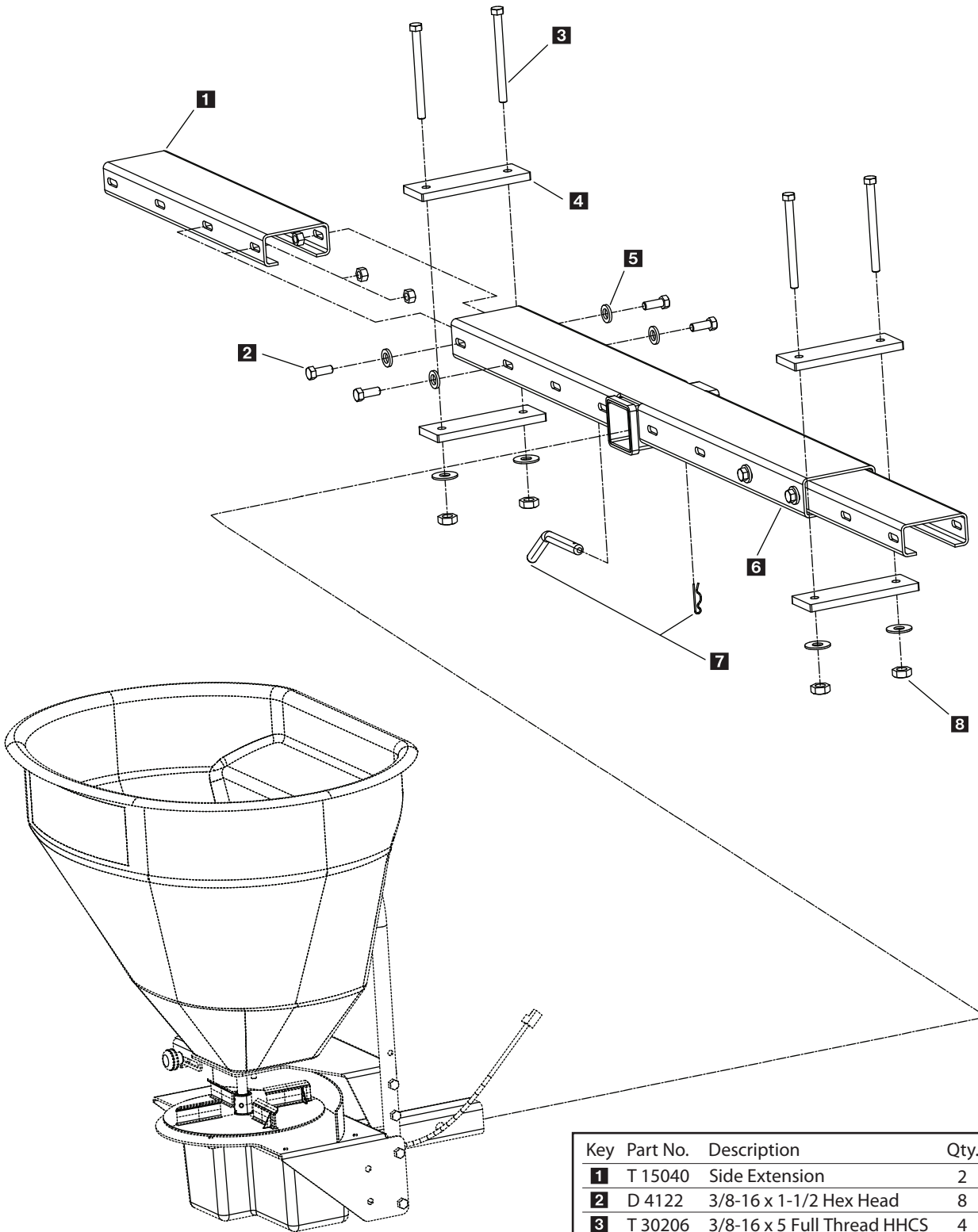


# VAR-020 ACCEESORY CONTROL KIT

TS-300 (Optional Kit)



Key	Part No.	Description	Qty.
<b>1</b>	D 7171	Mini Control	1
<b>2</b>	D 6719	Harness	1
<b>3</b>	D 6482	20 Amp Breaker	1



SPREADER SHOWN FOR  
REFERENCE PURPOSES ONLY

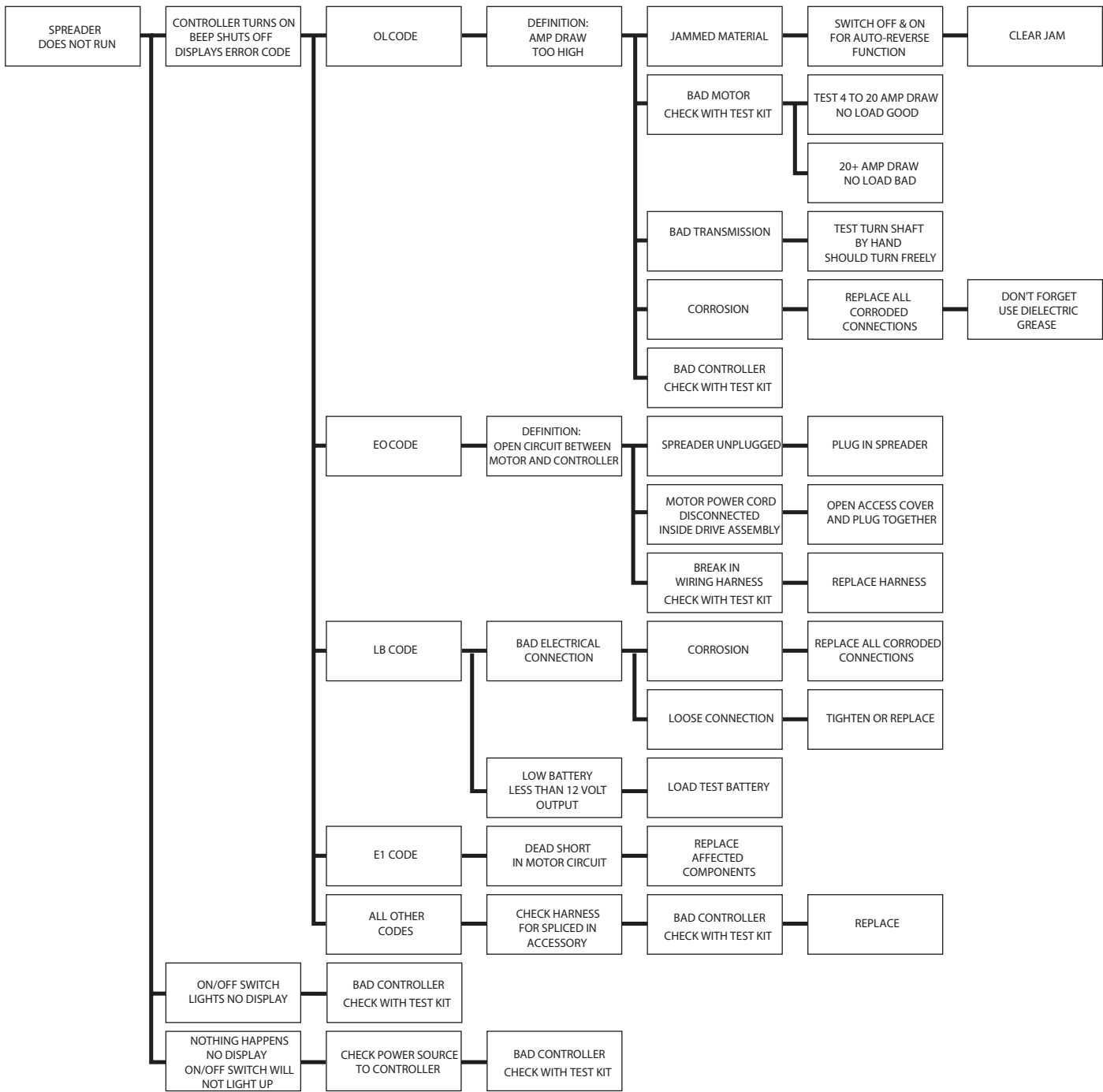
Key	Part No.	Description	Qty.
1	T 15040	Side Extension	2
2	D 4122	3/8-16 x 1-1/2 Hex Head	8
3	T 30206	3/8-16 x 5 Full Thread HHCS	4
4	T 15042	Tie Down Bracket	4
5	D 4125	3/8 Flat Washer	12
6	T 15041	Main Mount Weldment	1
7	T 15043	Hitch Pin	1
8	D 4124	3/8-16 Nylock	12

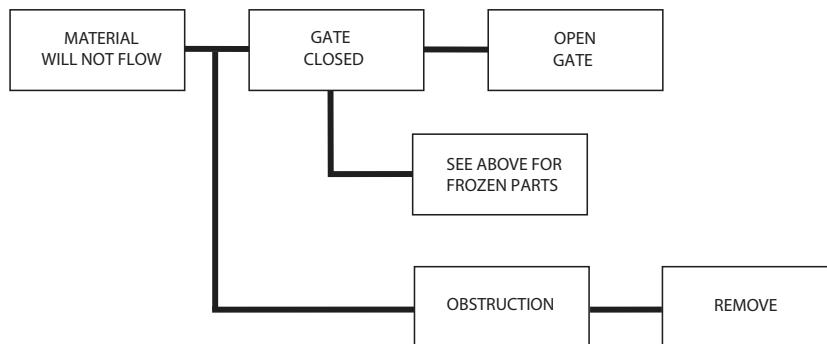
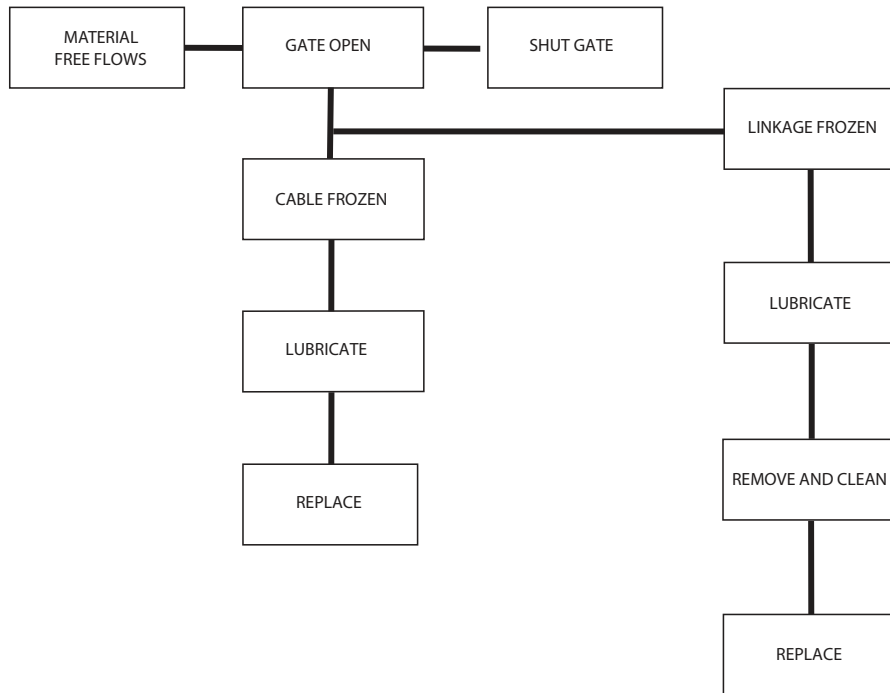
- **WARNING** – When servicing is necessary, perform it in a protected area. Do not use power tools in rain or snow because of **DANGER** of electrical shock or injury. Keep area well lighted. Use proper tools. Keep the area of service clean to help avoid accidents.
- **WARNING** – Disconnect electricity to spreader before servicing.
- **CAUTION** – The controller is a solid state electronic unit and is not serviceable. Any attempt to service will void warranty.
- **CAUTION** – There are no serviceable parts in the motor/transmission assembly. Any attempt to service will void warranty.
- **CAUTION** – When replacing parts use only original manufacturer's parts. Failure to do so will void warranty.
- Use dielectric grease on all electrical connections to prevent corrosion at the beginning and end of the season and each Time plugs are disconnected.
- Gently wash unit after each use to prevent material build-up and corrosion.
- **CAUTION** – When pressure washing motor enclosure area stay at least 36" away from all electrical items.
- Paint or oil all bare metal surfaces at the end of the season.
- Keep gate cable lubricated with a graphite type lubricant (non-tacky) after each use.
- If motor cover is removed for any reason, use silicone sealant to ensure weather proofing of enclosure.
- Grease bearings after every 20 hours use.
- After first use, tighten all nuts and bolts on spreader and mount.
- **WARNING:** Never remove spreader with material in hopper.
- Store controller in safe dry spot during the off season.

# Troubleshooting



TS-300/TS-300-EG/TS-700-E/TS-1200-E





## Limited Warranty

Two year warranty on Turfex brand products against defects in material or workmanship under normal use and service, subject to limitations detailed below. Warranty period of two years begins on the date of purchase by the original retail user.

The WARRANTY REGISTRATION CARD must be returned to the manufacturer for this warranty to become effective. This warranty applies to the original retail purchaser only. This warranty does not cover damages caused by improper installation, misuse, lack of proper maintenance, alterations or repairs made by anyone other than authorized Trynex dealers or Trynex personnel. Due to the corrosive properties of the materials dispensed by spreaders, Trynex does not warrant against damage caused by corrosion. Warranty claims by the user must be made to the dealer from where the product was purchased, unless otherwise authorized by Trynex. Trynex reserves the right to determine if any part is defective and to repair or replace such parts as it elects. This warranty does not cover shipping costs of defective parts to or from the dealer.

### LIMITATION OF LIABILITY

Neither Trynex, nor any company affiliated with it, makes any warranties, representations for promise as to the performance or quality other than what is herein contained. The liability of Trynex to the purchaser for damages arising out of the manufacture, sale, delivery, use or resale of this spreader shall be limited to and shall not exceed the costs of repair or replacement of defective parts. Trynex shall not be liable for loss of use, inconvenience or any other incidental, indirect or consequential damages, so the above limitations on incidental or consequential damages may not apply to you.

NO DEALER HAS AUTHORITY TO MAKE ANY REPRESENTATION OR PROMISE ON BEHALF OF TRYNEX INTERNATIONAL, OR TO ALTER OR MODIFY THE TERMS OR LIMITATIONS OF THIS WARRANTY IN ANY WAY.

# Warranty Registration and Customer Survey



To initiate the warranty on your new TurfEx product and assure prompt warranty service, please complete the following warranty registration and customer survey, sign and mail it back to the factory within 30 days of purchase.

1) Date of Purchase: \_\_\_\_\_

2) Name: \_\_\_\_\_

Address: \_\_\_\_\_

\_\_\_\_\_

Phone: \_\_\_\_\_

3) Turfex Model Purchased: \_\_\_\_\_ Serial Number: \_\_\_\_\_

4) Is this your first Turfex Product?     Yes     No

5) What type of vehicle are you using with your Spreader, Broom and/or Sprayer?

Make \_\_\_\_\_ Model \_\_\_\_\_ Year \_\_\_\_\_

6) What type of material are you using in your spreader and/or sprayer? \_\_\_\_\_

7) TurfEx Dealer Name: \_\_\_\_\_

TurfEx Dealer Address: \_\_\_\_\_

\_\_\_\_\_

Turfex Dealer Phone: \_\_\_\_\_

8) Does your TurfEx Dealer stock TurfEx replacement Parts?     Yes     No     I don't know

9) Do you feel your TurfEx Dealer sold you the correct product for your needs/application?     Yes     No

10) How would you rate your overall satisfaction with your Turfex Dealer?-

<input type="checkbox"/>	<input type="checkbox"/>	<input type="checkbox"/>	<input type="checkbox"/>	<input type="checkbox"/>	<input type="checkbox"/>
Very Satisfied	Satisfied	Somewhat Satisfied	Somewhat Dissatisfied	Dissatisfied	Very Dissatisfied

11) How would you rate your overall satisfaction with your Turfex Product?

<input type="checkbox"/>	<input type="checkbox"/>	<input type="checkbox"/>	<input type="checkbox"/>	<input type="checkbox"/>	<input type="checkbox"/>
Very Satisfied	Satisfied	Somewhat Satisfied	Somewhat Dissatisfied	Dissatisfied	Very Dissatisfied

12) Would you purchase another TurfEx Product?     Yes     No

13) If you would like to receive E-Mail ALERTS for new products, bulletins or special promotions please supply address: \_\_\_\_\_

14) Please use the space below to convey your comments and/or suggestions.

\_\_\_\_\_

\_\_\_\_\_

\_\_\_\_\_

\_\_\_\_\_

NOTE: I have read the owner's manual and all safety precautions and I understand that this equipment could be dangerous if not operated with care and under the proper conditions.

15) Owner's signature: X \_\_\_\_\_

PLEASE FOLD AND SEAL WITH TRANSPARENT TAPE BEFORE MAILING.

Simply Fill Out Your  
Warranty Registration and  
Return It to the Factory!

From:

---

---

---



Postage  
Required  
Post Office will  
not deliver  
without proper  
postage.



23455 REGENCY PARK DR.  
WARREN MI 48089-2667

