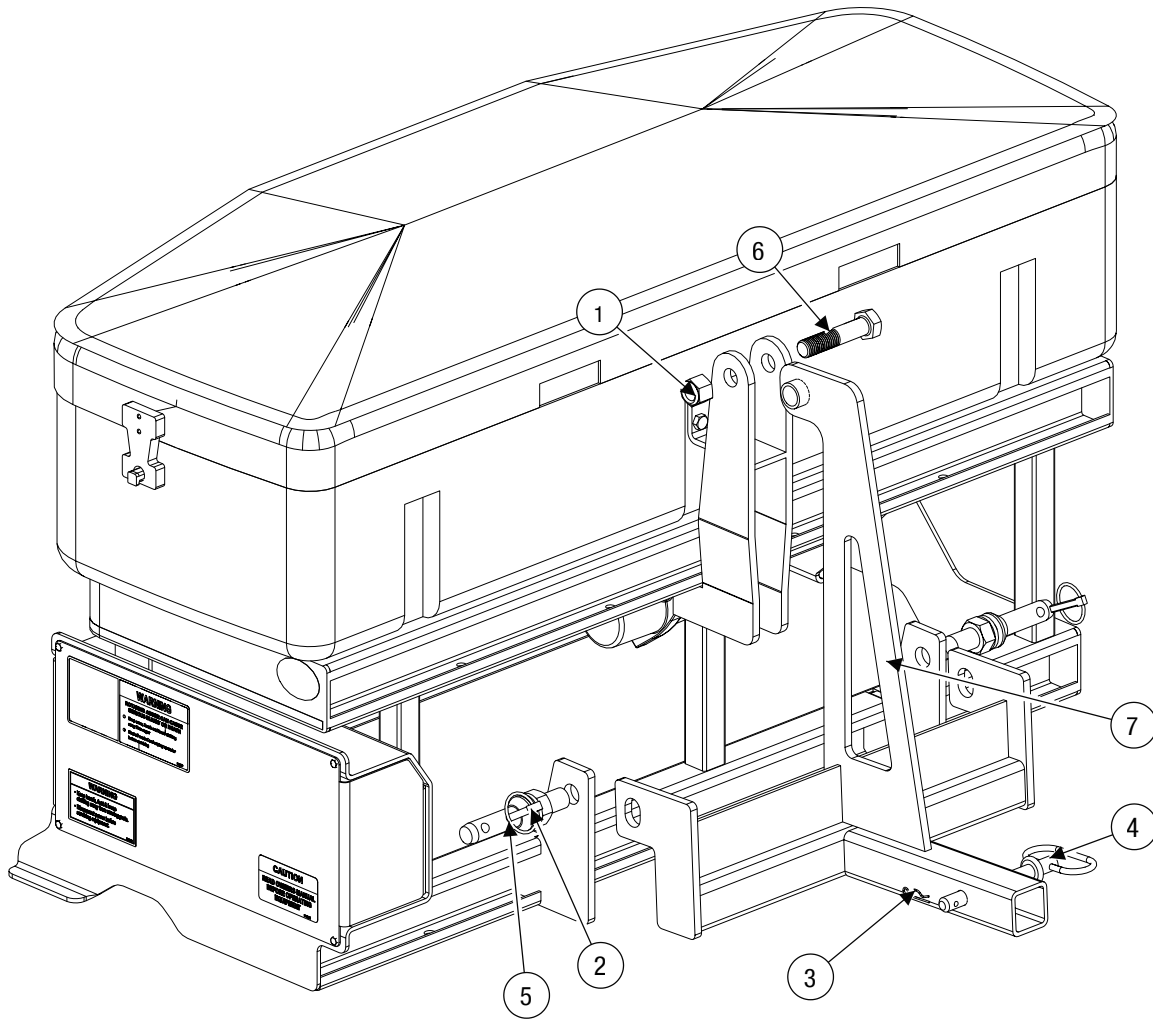


Parts Breakdown



Model # TPR-020



BOM ID	Description	Description	Qty
1	D4129	Nut 3/4"-10 Nylox Zinc	1
2	D4133	Linch Pin 5/16" X 1-9/16" Zinc	2
3	D4135	Hair Pin Cotter .093 X 2-3/8" Zinc	1
4	D4136	Hitch Pin 5/8" X 5-1/2"	1
5	D4137	Lift Arm Pin 7/8" X 5-1/2"	2
6	D5614	Bolt 3/4"-10 X 3-1/2" Hex Head Zinc	1
7	F50644	Receiver Hitch Adapter SD-600	1

Drawings show the TPR-020 in an SD-600 application.

Assembly Instructions



Model # TPR-020

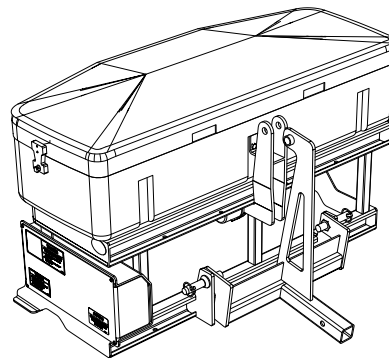
WARNING

Never lift spreader with material in hopper.
Use proper lifting devices to prevent personal injury and equipment damage.
Do not lift spreader by yourself, seek competent assistance before attempting to lift spreader onto vehicle.
Remember: most accidents are preventable and caused by human error. Exercising of care and precautions must be observed to prevent the possibility of injury to operator or others!

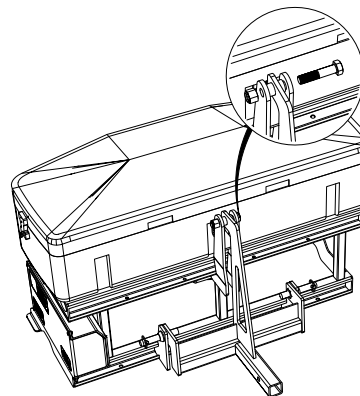
Place Spreader on a level and stable worksurface while performing this installation.

Required Tools: 1-1/16" Wrench, two 1-1/8" Wrenches, or two Large Adjustable Wrenches.

- 1 Remove Lift Arm Pins from Spreader Frame.
- 2 Attach Receiver Hitch Adapter [F50644] to Spreader using the Lift Arm Pins to secure Hitch Adapter to the Frame.



- 3 Bolt Hitch Adapter to the Spreader Frame at the third point of hitch with provided bolt and nut [D5614, D4129]



- 4 Lift (with assistance) and slide hitch into vehicle's receiver. Install Hitch Pin [D4136] to secure. The installation is now complete.

