

This Manual Must Be Read Before Operating The Equipment

Owner / Operator's Manual



Modular Brooms and Attachments

Protected by Des. 407,871 and other pending U.S. and foreign patent applications

FOR MODELS

Mega-Broom SMB-600; 720; 960

Pro-Broom SPB-600; 720

Pro-Broom Truck Mount TPB-900S

ValuSweep VSB-048; 060



CUSTOMER COPY

Madison Heights, Michigan 48071
877-SWEEPEX

INTRODUCTION	4
GENERAL INFORMATION	5
REGISTRATION	5
SAFETY PRECAUTIONS.....	6-7
• PREPARATION	
• OPERATIONS	
• SERVICE	
HITCH COMBINATIONS	8
• BUCKET-LIP	
• FORK HITCH	
• 3-POINT PIVOT	
• SKID STEER PIVOT	
• TRUCK MOUNT	
BROOM SET-UP AND MAINTENANCE	9
• BRUSH SECTION REPLACEMENT	
OPERATING TIPS	10-11
• DIRT, SAND & GRAVEL	
• LEAVES	
• SNOW	
• HOW TO SWEEP : FORK-MOUNTED BROOM	
PARTS LIST	12-14
• MAINFRAME	
• BRUSH SECTIONS	
SWEEPER MOUNT PARTS/DIAGRAMS	15-22
• #SSH-175 SKIDSTEER PUSH HITCH	
• #SSH-200 SKIDSTEER PIVOT HITCH	
• #HYA-020 HYDRAULIC ANGLE KIT	
• #TPH-200 THREE-POINT PIVOT HITCH	
• #BGK-200 PRO-HITCH BUCKET KIT	
• #TPK-200 PRO-HITCH THREE-POINT KIT	
• #FLH-200 FORK HITCH	
• #DCE-020 DEBRIS COLLECTOR ENDS	
• #VSB-048 and VSB-060 VALUSWEEP	
WARRANTY.....	25

This manual has been designed for your help. It will assist you and instruct you on the proper set-up, installation and use of this broom product.

Refer to the table of contents for an outline of this manual.

We require that you read and understand the contents of this manual completely (especially all safety information) before attempting any procedure contained herein.



THIS SIGN SHOULD ALERT YOU:

The Society of Automotive Engineers has adopted this SAFETY ALERT SYMBOL to pinpoint characteristics that, if NOT carefully followed, can create a safety hazard. When you see this symbol in this manual or on the machine itself, BE ALERT! Your personal safety and the safety of others is involved.

Defined below are the SAFETY ALERT messages and how they will appear in this manual:



DANGER

(RED)

Information that, if not carefully followed, can cause death!



WARNING

(ORANGE)

Information that, if not carefully followed, can cause serious personal injury or death!



CAUTION

(YELLOW)

Information that, if not carefully followed, can cause minor injury or damage to equipment.

General Information



You have purchased a member of the **SweepEx Modular Broom family**, an advanced concept in broom products.

Our unique design allows many sweeping and debris removal applications to be addressed. The modular concept allows multiple size variations. Attachments to meet various cleanup requirements area available.

Your **SweepEx Broom** may be attached to any of several power sources which you may have available.

The simplicity of construction using high quality steel and deluxe electrostatic finish requires minimal maintenance.

Poly-brush sections are durable and resilient, wear slowly, and may be replaced simply and quickly with minimal down time.

Trynex reserves the right to make any changes or improve the design of any parts and not be obligated to make changes on units previously sold.

Registration

Record the following information in this manual for quick reference.

Broom Model Number _____

Broom Serial Number _____

Date of Purchase _____

Dealer Where Purchased _____

When ordering parts, the above information is necessary. This will help to insure that you receive the correct parts.

At the right is a diagram of the ID tag. Please fill out the warranty card with all the necessary information to validate it. This will also give us a record so that any safety or service information may be communicated to you.





Before attempting any procedure in this book, these safety instructions must be read and understood by all workers who have any part in the preparation or use of this equipment.

For your safety warning and information decals have been placed on this product to remind the operator of safety precautions. **If anything happens to mark or destroy the decals, please request new ones from Trynex, International.**



Remember most accidents are preventable and caused by human error. **Exercising of care and precautions must be observed to prevent the possibility of injury to operator or others!**



Never operate equipment when under the influence of alcohol, drugs, or medication that might alter your judgment and/or reaction time.



Always wear safety glasses with side shields when working metal against metal. Failure to do this could result in serious injury to the eyes or other parts of the body.



Always wear safety glasses with side shields when working metal against metal. Failure to do this could result in serious injury to the eyes or other parts of the body.



Never allow children to operate or climb on equipment.
Never weld or grind on equipment without having a fire extinguisher available.
Always check areas to be swept to be sure no hazardous conditions or substances are in the area.
Always inspect unit for defects: broken, worn or bent parts, weakened areas on broom or mount.



Always shut off vehicle and power source before attempting to attach or detach or service broom unit. Be sure vehicle/power source is properly braked or chocked.



Always make sure personnel are clear of areas of danger when using equipment.



Always keep hands, feet, and clothing away from power-driven parts.



Remember it is the owner's responsibility to communicate information on safe usage and proper maintenance of all equipment.

 **CAUTION**

PREPARATION

Sweep area clean of foreign objects or obstacles that could cause personal injury. Keep other persons, children or animals out of the area to be swept.

 **WARNING**

OPERATION

Recognize company and government regulations and follow safety recommendations of both. **To ignore this could mean serious injury or even death of operator or others.**

Safety glasses must be worn by operator at all times to prevent dust and/or debris injuring eyes.

 **CAUTION**

Always sweep carefully and remember the broom attachment is large and strong. Sweep no faster than necessary to move the debris, dirt, sand or substance being swept.

 **WARNING**

SERVICE

When service is necessary, perform it in a protected area. **Do not use power tools in rain or snow because of danger of electrical shock or injury.** Keep area well lighted. Use proper tools. Keep the area of service clean to help avoid accidents.

There are three hitch arrangements available for your Sweepex Megabroom:

- Fork Hitch –** Fits most standard fork tines.
- 3-Point Pivot –** Category I or II standard 3-point hitch.
NOTE: Hydraulic Angle Kit is Available.
- Skid Steer Pivot –** Fits most skid steers and is designed to allow manual or hydraulic angulation of brush when desired.
NOTE: Hydraulic Angle Kit is Available.

The SweepEx Pro Broom series comes standard with forklift mount attached.

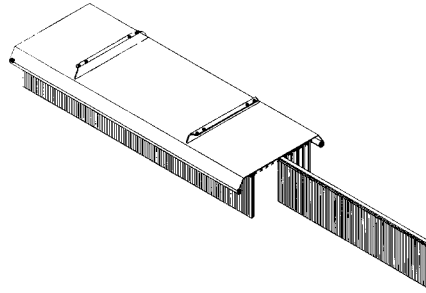
The other arrangements available for SweepEx Pro Series are:

- Bucket Lip Mount –** This utilizes the standard Forklift mount and adapts it to a bucket lip mount.
- 3-Point –** For straight use. No pivot is available for Pro Broom.
- Truck Mount –** This is a Pro Broom precisely designed for snowplows. It will adapt to most major brands of plows utilizing A-frame, quadrant, angling, lift, etc... (TPB series only).
- Skid Steer Push –** Fits most skidsteers and designed for ridged mounting of Pro Broom for a fixed position.

All hitches should be adjusted to allow a level, solid stance of the broom. This insures more even brush wear.

SET-UP

Initial brush section installation for any mainframe broom requires removal of end cap and the simple insertion into tracks of the brush sections.



MAINTENANCE

Brush Section Replacement:

- Step 1:** Suspend the broom by blocks, lift, etc..
- Step 2:** Remove the end cap from either end.
- Step 3:** Remove old brush sections.
- Step 4:** Clean track receptacle (pressure wash, water hose, or air).
- Step 5:** Insert new brush sections.
- Step 6:** Replace end cap and bolt securely in place.

Brush Section Rotation:

After every 4 hours of use, rotate brush sections from front to back.

Storage:

Store your broom so that the brush pressure is equal on all bristle strips. Some suggestions are:

- Block ends so that weight is not on brush strips at all.
- Store broom upside down.
- Store blocked so that broom sits level.

This will preserve an EVEN sweeping surface. Store under a dark tarp to minimize ultra violet light damage to brush sections.

DIRT, SAND, & GRAVEL:

- Keep bristle contact perpendicular to sweeping surface – this is most important! Too much angle on bristles will cause them to drag and perform improperly.
- If the sweeping surface is hard, such as pavement, a slow, steady brush will clean best.
- Excessive down pressure does not make the broom sweep better. Gentle down pressure is best.
- To sweep dirt or gravel off a grassy area (e.g., cemetery use) be sure the dirt is dry.
- Drop broom, raise slightly, sweep at slow speed. This will do the best job.
- Do not attempt to move piles of dirt, sand, or gravel. Use a blade for this procedure.
- Keep the full broom weight off the sod, thus causing minimal sod disturbance.
- For even bristle wear and maximum performance, occasionally sweep in the opposite direction.

LEAVES:

- A light touch and low speed action does the best job.
- Do it with the wind to get the pile where you want it.
- If leaves get wet and packed, more than one pass may be necessary to clean area.

SNOW:

- Light snow is a pushover for your Sweepex. When it's wet and heavy, get a plow!
- Remove alternate brush section rows to prevent snow build up in broom.
- Your Sweepex Broom is ideal for clearing light snow in sensitive areas, e.g., sidewalks, brick-paver areas, etc. It will not injure sod, underground sprinkler heads, edging, etc..

HOW TO SWEEP: FORK-MOUNTED BROOM

SweepEx fork-mounted brooms are introduced to many sweeping environments with multiple materials. Each one of these environments can be swept clean, once you know the tips to better performance.

Inside Sweeping – Inside sweeping suggests that debris will be on top of a floor or deck. The type of surfaces that fall into these categories are: cement and asphalt with insets and/or ramps made of steel decking, tread plate steel or aluminum extrusions, and smooth wood. SweepEx brooms can handle them all!

Outside Sweeping – Sweeping outside either on cement, asphalt, dirt, gravel, etc. is similar to inside sweeping. The difference is the job normally requires a much wider broom with a need to push materials a greater distance.

For the best sweeping performance with a forklift broom, it is essential to maintain a flat profile of the broom to the surface. Since most lift trucks can easily change the attitude and pitch of the forks, it is important to secure the broom-mount as tightly as possible onto the lift truck forks.

This is the best way to attach the forklift mount securely to the SweepEx broom:

Step #1 – With the SweepEx broom sitting on the ground, and the mount facing the lift truck, drive straight and level into the fork pockets

until the tips of the forks are completely dead-ended into the box end of the broom mount. **NOTE: For ValueSweep Brooms Only** – Make sure that the threaded lock-down knob is threaded all the way out, and the flat foot of the fork clamp is clear of the lift truck fork. Drive the forklift forward all the way until the end of the fork tip rests at the back of the fork pocket. Gently drop the lift truck forks down until the forks rest on the bottom of the pocket. Once the fork tips are fully into the pocket, lower the threaded lock-knob assembly all the way down by turning the knob clockwise in a tightening manner. Once the foot is firmly against the steel fork, hand tighten to ensure that the broom will not slip off the forks while back drag sweeping. **(DO NOT OVER-TIGHTEN THE KNOB ASSEMBLY FOR DAMAGE MAY OCCUR)** **Do Not** use an external tool to over-tighten the lock-down knob. The ValueSweep attachment is now complete and sweeping can begin. (See Drawing)

Step #2 – For the Pro Series and Mega Series brooms, the process is similar to the ValueSweep. However, once the fork tips are level and fully engaged into the fork pockets of the Pro Broom or fork mount on the Mega Broom, the following directions apply: Slightly raise the lift truck forks and tilt back as to lift the bristles off the ground 2 inches. This will keep the forks in the top of the pocket, and the tips of the forks dead-ended fully into the end stop angle on the mount. Now that the weight of the broom is completely suspended on the fork, attach the chain to the fork carriage on one end and to the broom on the other end using the clevis hooks. The chain should be tightened by hand. Repeat the process on the other side.

On the Mega Broom series, the fork pocket mount is a separate fixture and must be securely attached to the broom head. Once the mount is bolted to the broom, the above instructions should be followed. The Mega Broom mount comes complete with a set of chain binders to tighten and securely attach the chains around the lift truck carriage. Due to the extra weight and size of the Mega Broom, a positive lock down is necessary. **CAUTION: The tension of the chain binder should never be greater than what hand tightening allows. Never use a pipe or other tool to gain additional leverage to tighten the chain binder. NEVER OVER-TENSION THE CHAIN BINDER – DAMAGE MAY OCCUR TO YOUR PERSON OR THE PRODUCT DUE TO POSSIBLE “KICK-BACK” OF THE BINDER.**

Step #3 – Once the broom is attached firmly to the lift truck forks, sweeping can begin. With SweepEx brooms it is possible to move large sections of material from point A to point B with the following sweeping tips.

Broom saturation. Depending on the size of the material being swept, you can extend the length of the push by simply stopping once saturation occurs. Lift the broom, back up just beyond where the debris begins, and drop the broom back down on the clean leading edge of the pile and continue sweeping.

The ValueSweep broom has 5 rows of bristles and works well sweeping inside loading docks, warehouses, semi-trailer floors, plant maintenance, and small parking lots. Typical applications are: material spills, shrink wrap debris, broken pallet scraps, Floor-Dry, standing water, light snow from overhead doorways, and loading docks.

The Pro Broom has 8 rows of bristles and works well sweeping loading docks, lumber yards, large parking lots, roadways, warehouse recycling plants, rubbish/material yards, and trucking terminals. Typical applications are material spills, broken pallet scrap, mud, dirt, scrap-metal debris, standing water, light snow, and food debris.

The Mega Broom has 11 rows of bristles and works well sweeping lumber yards, construction sites, nursery yards, job sites, roadways, parking lots, recycling, and industrial plants. Typical applications are: material spills, broken-pallet scraps, mud, sludge, water, scrap metal, light snow, glass, construction debris, bricks, tires, steel shavings, banding, and small boulders.

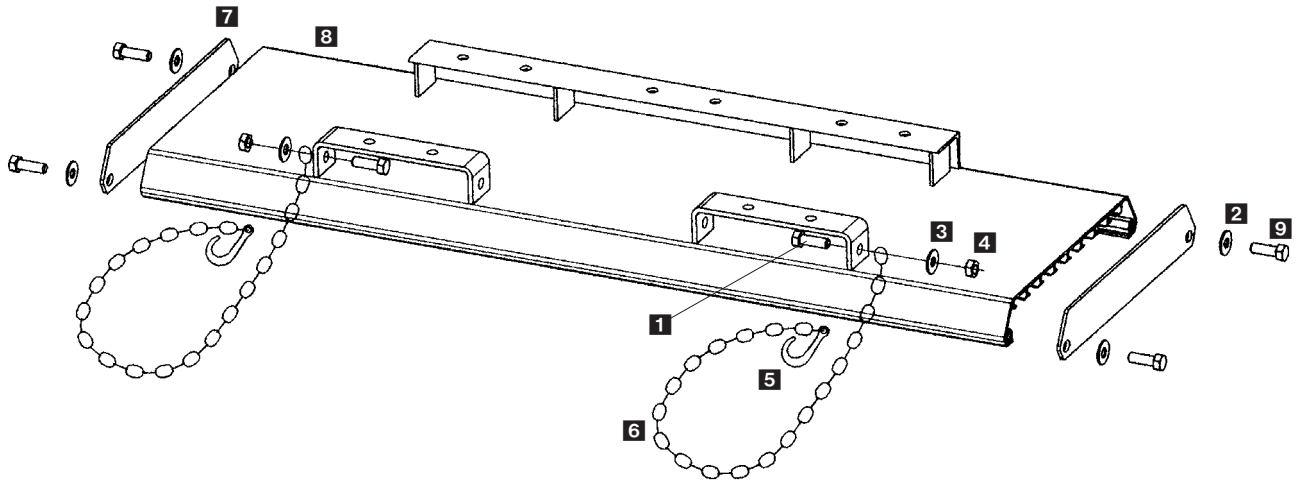
All SweepEx brooms, regardless of their size and application, will work equally well sweeping backward or forward.

If you only sweep in one direction, the bristles eventually will knife to a point. By using the broom for “forward only” sweeping, the broom will start losing its effectiveness. Pulling the bristle rows out of the hood and turning them around end for end will give you even wear and tear. Once the bristles are worn down to approximately 50% of their original height, the entire set should be replaced. This, of course, should be monitored case by case. As the bristles become shorter in length, they may become stiff and less flexible. This may allow less action at the bristle tips, and result in an undesirable smear. Generally speaking, SweepEx bristles wear out or melt, due to ground friction, at a rate of 1/64 of an inch per mile. Individual use and wear may vary.

Please do not hesitate to call 1-877-SweepEx and ask for SweepEx Customer Care if there are any questions.

Pro-Broom

Model #SPB-600 / SPB-720



Key	Part No.	Description	Qty.
1	D 4116	1/2" X 13 X 1-1/2" - Hexbolt	2
2	D 4118	1/2" Lock Washer	4
3	D 4119	1/2" Flat Washer	2
4	D 4120	1/2" Locknut	2
5	D 4131	1/4" Clevis Grab Hook	2
6	D 4138	1/4" x 5' GR 30 Chain	2
7	D 4171	End Caps	2
8	D 4202	60" Pro Mainframe	1
8	D 4203	72" Pro Mainframe	1
9	D 4242	1/2" - 13 x 1" Allen Head Bolt	4
10	D 4243	Allen Wrench	1

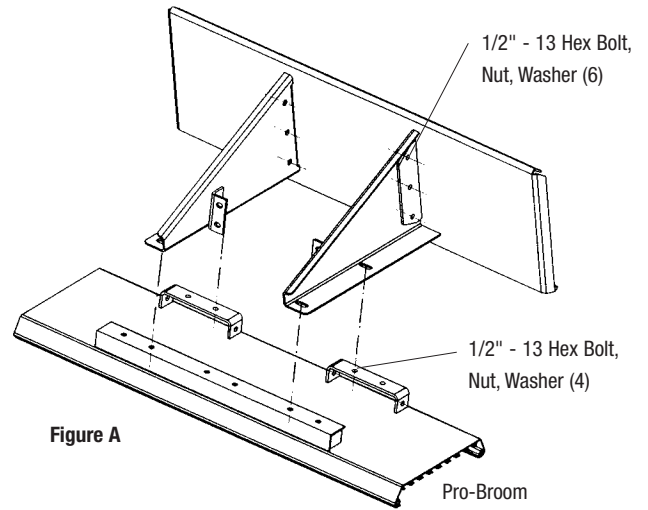
Skidsteer Push Hitch



SSH-175 Mount

Section 1: Pro-Broom Installation:

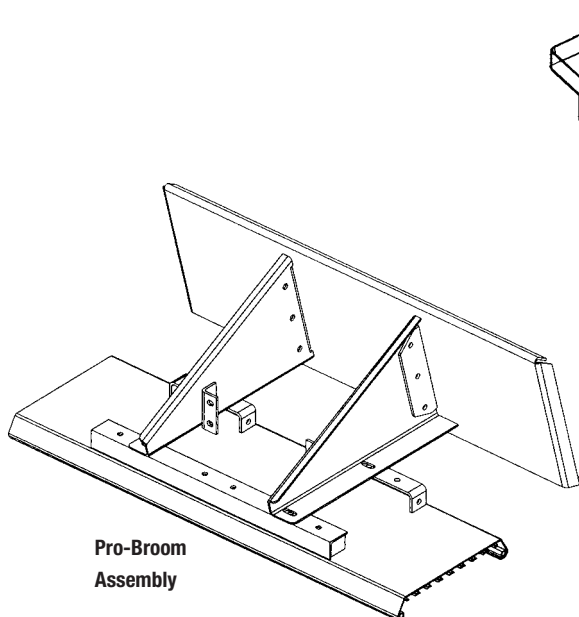
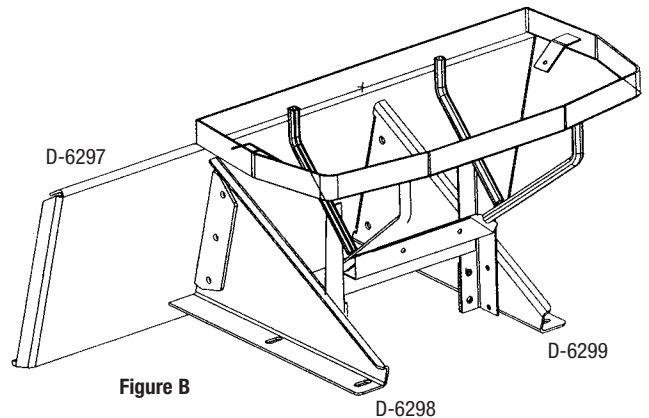
- Step 1:** Using top mounting holes on broom hoops, line up with parts D-6298 and D-6299.
- Step 2:** Fasten broom with supplied hardware, leave hardware loose until all are in place then tighten. Figure A.
- Step 3:** Refer to broom's Owners Manual for operation instructions.



Section 2: Salt Spreader Installation:

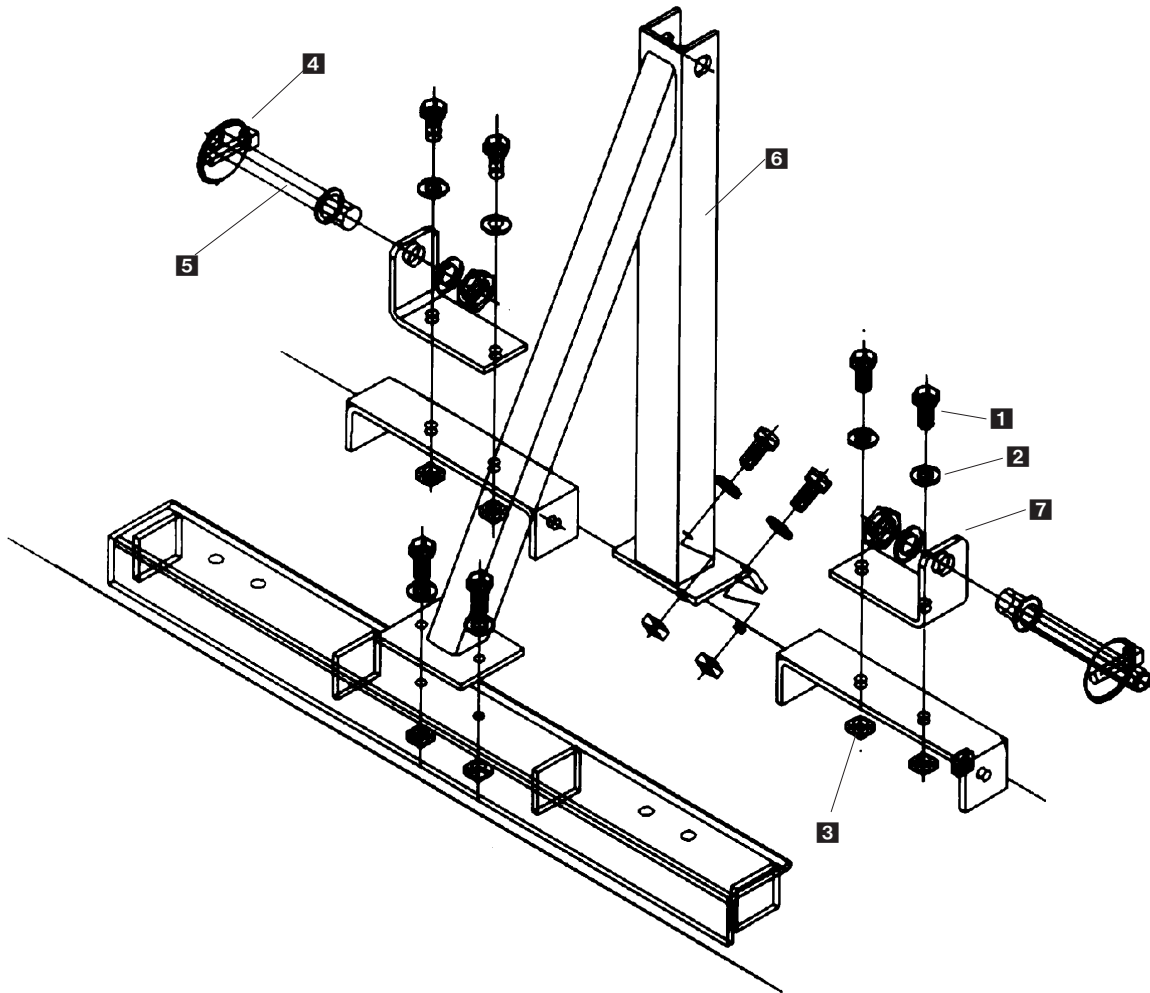
- Step 1:** Remove rear mounting 1/2" bolts (4).
- Step 2:** Line 4 hole bolt pattern up with D-6298 and D-6298 spreader mounting angle brackets..
- Step 3:** Install bolts through spreader to mount, leave hardware loose until all are in place then tighten. Figure B.
- Step 4:** Refer to spreader owners manual for operation instructions.

This hitch/mount has been designed to be as universal as possible in regards to fitting a wide variety of skid steer type machines. As with any attachment, practice safe usage and care when installing and operating this equipment. Refer to the owners manual for all warning and safety precautions before using. If you should have any questions or concerns before using, contact your local dealer for further information.



Pro-Hitch Three-Point Kit

TPK-200



Key	Part No.	Description	Qty.
1	D 4116	1/2"-13 x 1 1/2" Hex bolt	8
2	D 4119	1/2"-Flat Washer	8
3	D 4120	1/2" Lock Nut	8
4	D 4133	5/16" Linch Pin	2
5	D 4137	7/8" x 5-1/2" Lift Arm Pin	2
6	D 4169	Pro-Vertical Frame 3-Point	1
7	D 4192	Pro Lift Arm Pin Bracket	2

Assembly Instructions

ASSEMBLY INSTRUCTIONS:

- Step 1:** Install forklift pockets on broom hood using 3/8" hex bolts.
- Step 2:** Thread knob through forklift pocket approx. 1". Position swivel foot so that screw can engage locking ring inside the swivel foot. Use the hood to screw down against to lock both pieces together. Repeat the process for the other side.
- Step 3:** Install one end plate on broom.
- Step 4:** Insert bristle into broom hood and slide in until it contacts the end cap.
- Step 5:** Install other end cap and the broom is ready for use.

CARE AND USE OF OUR NEW VALUSWEEP BROOM:

- Never store broom with bristles free standing on ground, this will cause the bristle to distort and decrease its performance.
- Light down pressure with a slight tilt back on the forks will give the best sweeping performance.
- Make sure forks are as far forward as possible before locking down.

Limited Warranty

Trynex products are warranted for a period of twelve months from the date of purchase against defects in material or workmanship under normal use and service, subject to limitations detailed below. Warranty period of twelve months begins on the date of purchase by the original retail user.

The **WARRANTY REGISTRATION CARD** must be returned to the manufacturer for this warranty to become effective. This warranty applies to the original retail purchaser only. This warranty does not cover damages caused by improper installation, misuse, lack of proper maintenance, alterations or repairs made by anyone other than authorized Trynex dealers or Trynex personnel. Warranty claims by the user must be made to the dealer from where the product was purchased, unless otherwise authorized by Trynex. Trynex reserves the right to determine if any part is defective and to repair or replace such parts as it elects. This warranty does not cover shipping costs of defective parts to or from the dealer.

LIMITATION OF LIABILITY

Neither Trynex, nor any company affiliated with it, makes any warranties, representations for promise as to the performance or quality other than what is herein contained. The liability of Trynex to the purchaser for damages arising out of the manufacture, sale, delivery, use or resale of this spreader shall be limited to and shall not exceed the costs of repair or replacement of defective parts. Trynex shall not be liable for loss of use, inconvenience or any other incidental, indirect or consequential damages, so the above limitations on incidental or consequential damages may not apply to you.

NO DEALER HAS AUTHORITY TO MAKE ANY REPRESENTATION OR PROMISE ON BEHALF OF TRYNEX INTERNATIONAL, OR TO ALTER OR MODIFY THE TERMS OR LIMITATIONS OF THIS WARRANTY IN ANY WAY.

From:



Postage
Required
Post Office will
not deliver
without proper
postage.



23455 REGENCY PARK DR.
WARREN MI 48089-2667





23455 Regency Park Dr.
Warren, MI 48089
1-800-725-8377

Warranty Registration

To initiate the warranty on your new SweepEx Broom and assure prompt warranty service, please complete this form, **sign and mail it back to the factory within 30 days of purchase.**

Date of purchase: _____

Dealer name: _____

Dealer address: _____

Dealer phone: _____

Owner's name: _____

Owner's address: _____

Owner's phone: _____

SweepEx Model No. _____ SweepEx Serial No. _____

NOTE: I have read the owner's manual and all safety precautions and I understand that this equipment could be dangerous if not operated with care and under the proper conditions.

Owner's signature: X _____