

This Manual Must Be Read Before Operating The Equipment

Owner / Operator's Manual



FOR MODELS

SP-7550 Serial # L1-144130 and higher



Madison Heights, Michigan 48071
800-725-8377
www.snowexproducts.com

Customer Copy

Table of Contents



General Information	3
Introduction	4
Safety	5
Warning Decal Positions.....	6-7
Operating the Spreader.....	8-9
Drive Enclosure Installation Instructions	10
Spreader Maintenance	11
General Wiring Instructions	12
Control and Harness Diagram	13-17
Mounting Instructions	18-19
Troubleshooting	20-21
Warranty	22
Spreader Views	
Model # SP-7550.....	23
Frame Assembly Parts Breakdown	
Model # SP-7550.....	24-25
Auger Drive Assembly Parts Breakdown	
Model # SP-7550.....	26-27
Hopper Assembly Parts Breakdown	
Model # SP-7550.....	28-29
Drive Assembly Parts Breakdown	
Model # SP-7550.....	30-31
Notes	32-33

Have a question or need assistance?

SnowEx Customer Care

(800) 725-8377

or (248) 586-3500

Monday through Friday 8:00 AM to 4:30 PM EST

Fax: (248) 691-8378

E-Mail: customercare@trynexfactory.com

Website: www.snowexproducts.com



General Information



CONGRATULATIONS!

The spreader you have purchased is an example of snow and ice control technology at its finest! Your spreader's self-contained design is a trademark of all SnowEx products. Here's why...

SIMPLICITY: Fewer moving parts manufactured of higher quality means minimal maintenance for your SnowEx spreader.

RELIABILITY: High impact linear low density polyethylene hopper. State-of-the-art electronic dual variable speed control, custom engineered powder coated frame, maximum torque 12-volt motor coupled to a custom engineered transmission; found only on SnowEx products.

VERSATILITY: Multi-use capabilities allows spreading of a variety of materials for snow and ice control.

WARRANTY: Best in the industry, hands down! 2 years standard and now 5 year extended (optional).

The benefits you are about to recognize are that of time, money and effort. We welcome you to the world of SnowEx Performance.

Registration

Record the following information in this manual for quick reference.

Spreader Model Number _____

Spreader Serial Number _____ Controller Serial Number _____

Date of Purchase _____

Dealer Where Purchased _____

When ordering Parts, the above information is necessary. This will help to see that you receive the correct parts.

At the right is a diagram of the ID tag. This tag on the spreader is located on the frame.

Please fill out the warranty card with all the necessary information to validate it. This will also give us a record so that any safety or service information can be communicated to you.



This manual has been designed for your help. It will assist you and instruct you on the proper set-up, installation and use of this spreader.

Refer to the table of contents for an outline of this manual.

We require that you read and understand the contents of this manual completely (especially all safety information) before attempting any procedure contained herein.



THIS SIGN SHOULD ALERT YOU:

The Society of Automotive Engineers has adopted this **SAFETY ALERT SYMBOL** to pinpoint characteristics that, if **NOT** carefully followed, can create a safety hazard. When you see this symbol in this manual or on the machine itself, **BE ALERT!** Your personal safety and the safety of others is involved.

Defined below are the **SAFETY ALERT** messages and how they will appear in this manual:



DANGER

(RED)

Information that, if not carefully followed, can cause death!



WARNING

(ORANGE)

Information that, if not carefully followed, can cause serious personal injury or death!



CAUTION

(YELLOW)

Information that, if not carefully followed, can cause minor injury or damage to equipment



DANGER



WARNING



CAUTION

Before attempting any procedure in this book, these safety instructions must be read and understood by all workers who have any part in the preparation or use of this equipment.

For your safety warning and information decals have been placed on this product to remind the operator of safety precautions . If anything happens to mark or destroy the decals, please request new ones from SnowEx.



DANGER

Never exceed the Gross Vehicle Weight Rating of vehicle. Failure to do so may limit a vehicles handling characteristics.

Never attempt to take a unit off a truck with material in it.



WARNING

Always keep hands, feet, and clothing away from power driven parts.

Unit must be pinned and locked into position before operating vehicle.

Always shut off vehicle and power source before attempting to attach or detach or service unit Be sure vehicle/power source is properly braked or chocked.

Remember, most accidents are preventable and caused by human error. Exercising of care and precautions must be observed to prevent the possibility of injury to operator or others!

Never operate equipment when under the influence of alcohol, drugs, or medications that might alter your judgment and/or reaction time.

Before working with the spreader, secure all loose fitting clothing and unrestrained hair.

Always wear safety glasses with side shields when servicing spreader. Failure to do this could result in serious injury to the eyes.

Never allow children to operate or climb on equipment.

Always check areas to be spread to be sure no hazardous conditions or substances are in the area.

Always inspect unit for defects: broken, worn or bent parts, weakened areas on spreader.

Remember it is the owner's responsibility to communicate information on safe usage and proper maintenance of all equipment.

Always make sure personnel are clear of areas of danger when using equipment.

Never weld or grind on equipment without having a fire extinguisher available.

Inspect the unit periodically for defects. Parts that are broken, missing or worn out must be replaced immediately. The unit or any part of it can not be altered without prior written permission from the manufacturer.

Always inspect pins and latches whenever attaching or detaching spreader, and before operation of spreader.

Never exceed 45 m.p.h. when loaded spreader is attached to vehicle. Braking distances may be increased and handling characteristics may be impaired at speeds above 45 m.p.h.




CAUTION

Never use wet materials or materials with foreign debris with any of these spreaders. These units are designed to handle dry, clean, free flowing material.

Never leave material in hopper for long periods of time. Be aware that all ice melters are hygroscopic and will attract atmospheric moisture and harden up.

Warning Decal Positions

Model # SP-7550



⚠ WARNING

ROTATING AUGER CAN CAUSE SERIOUS INJURY OR DEATH

- Keep arms, hands, and loose clothing away from auger.
- Shut off control and unplug spreader before servicing.

D6335

⚠ WARNING

- Keep hands, feet & loose clothing away from moving parts.
- Disconnect power before servicing equipment.

D6192

⚠ WARNING



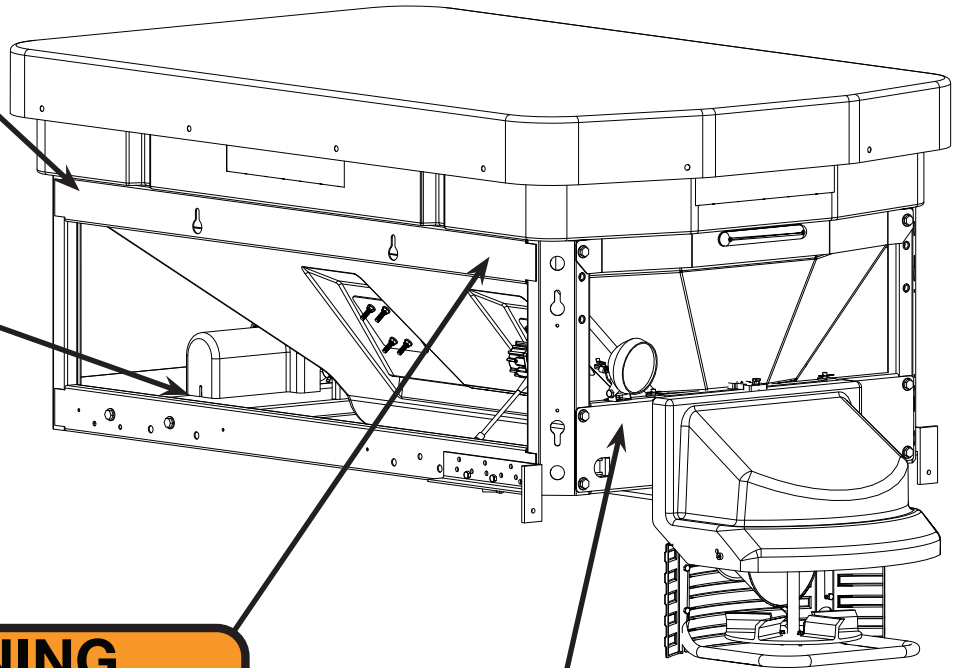
- DO NOT EXCEED GVWR OF VEHICLE
- DO NOT OVERLOAD SPREADER
- LOAD SPREADER EVENLY

D6546

⚠ WARNING

- Read Owner's Manual for Installation Instructions.
- Secure spreader to truck with ratchet straps.
- Anchor spreader securely to truck body with bolt kit provided to prevent slipping or sliding.
- Routinely check straps and hardware to make sure they are secure.

D6548



Warning Decal Positions

Model # SP-7550



⚠ WARNING

ROTATING AUGER CAN CAUSE SERIOUS INJURY OR DEATH

- Keep arms, hands, and loose clothing away from auger.
- Shut off control and unplug spreader before servicing.

D6335

⚠ WARNING


- Read owners manual before operating equipment.
- Never remove spreader with material in hopper.

D6194

⚠ DANGER

- DO NOT REMOVE SPREADER WITH MATERIAL IN HOPPER
- FASTEN SPREADER DOWN WITH APPROVED RATCHET STRAPS AND BOLT KIT
- REAR FRAME LOCATOR BARS MUST BE IN PLACE BEFORE OPERATING VEHICLE

D6547



⚠ WARNING

NO STEP

- Slippery Surface When Wet.
- May Cause Severe Injury

D6545



⚠ WARNING

ROTATING PARTS AND FLYING OBJECTS CAN CAUSE INJURY OR DEATH

- Keep hands, arms, feet and loose clothing away
- Shut off power and stop engine before servicing
- Read owners manual before operating.
- Keep bystanders at least 60 ft away.

D6544

Operating the Spreader

Model # SP-7550

SPREADER LOADING

WARNING – Do not overload vehicle. Use chart below to calculate weight of material. Weights of material are an average for dry materials.

<u>Material</u>	<u>Weight Per Cubic Ft.</u>
Rock Salt	80-90 lbs.
Sand/Salt Mix	95-120 lbs.

- Warning – Never leave material in hopper for long periods of time as salt is hygroscopic and will attract atmospheric moisture and harden up. When spreading sand mix, a 1:1 ratio for Sand/Salt mix is recommended to prevent the material from freezing.

SPREADER OPERATION

- The Dual Variable Speed Controller has dual finger-tip dials for maximum performance, digital system status with warning protection and built-in Vibrator Switch.
- To start, press power switch on controller and spreader will accelerate to speed set on spinner and auger dials.
- To stop, press power on controller to off position.
- Speed of Auger and Spinner may be adjusted separately to get desired flow and spread distance
- The Vibrator Switch is needed for dense material or to increase the flow to the Auger. This eliminates bridging of material in hopper.
- A Material Baffle has been installed in your spreader to stop fine material from free flowing. If using dense or damp material, or if more flow is desired, remove Material Baffle. However, it is recommended that the Material Baffle remain in place if using bulk salt.
- It is important that the Inverted Vee not be removed except when servicing.
- If there are any problems while operating the spreader, refer to Troubleshooting Guide.

SPREADING TIPS

- Spread ice melters with the storm to prevent unmanageable levels of ice.
- Never exceed 10 m.p.h. when spreading.
- For a wider pass, increase spinner speed.
- For a heavier pass, drive slower or increase auger speed.
- Never operate spreader near pedestrians.
- Calculate spread pattern when near vegetation.

WARNING PROTECTION

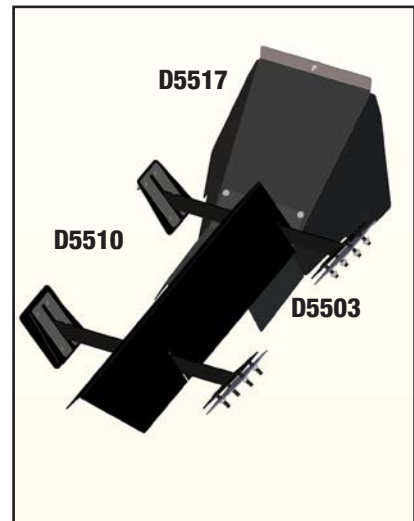
- If audible beeping occurs, read display to identify problem. If display reads “OL” (overload) or “OH” (overheat), shut controller down and carefully clear jammed auger. If display reads “E1” this means there is a dead short in system. Do not use until problem is corrected. If display reads “E0” this means that the motor is not getting any power. Check all connections. If display reads “LB” the vehicle battery is extremely low (possibly caused by a poor or corroded connection) and could damage the system.
- If there are any problems while operating the spreader, refer to Troubleshooting Guide.

Operating the Spreader (continued)

Model # SP-7550

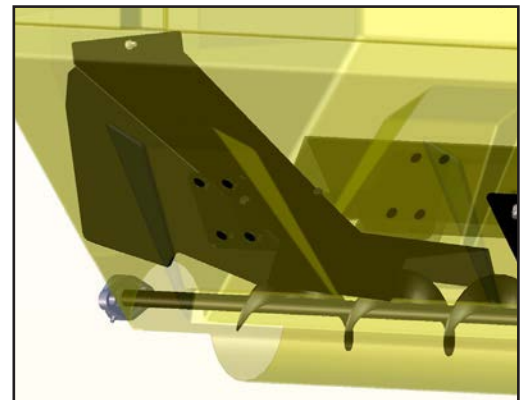
DISCHARGE BAFFLE and INVERTED-V INSTRUCTIONS

- The 7550 uses an Inverted-v design over the auger area. This inverted-v (D5510) is used to reduce load to the auger drive train. It must not be removed unless servicing the unit.
- **WARNING:** Always disconnect power source before attempting to remove material baffle.
- The 7550 uses a discharge baffle (D5517) to reduce material leakage. It must not be removed unless servicing the unit.



• BAFFLE EXTENSION INSTRUCTIONS

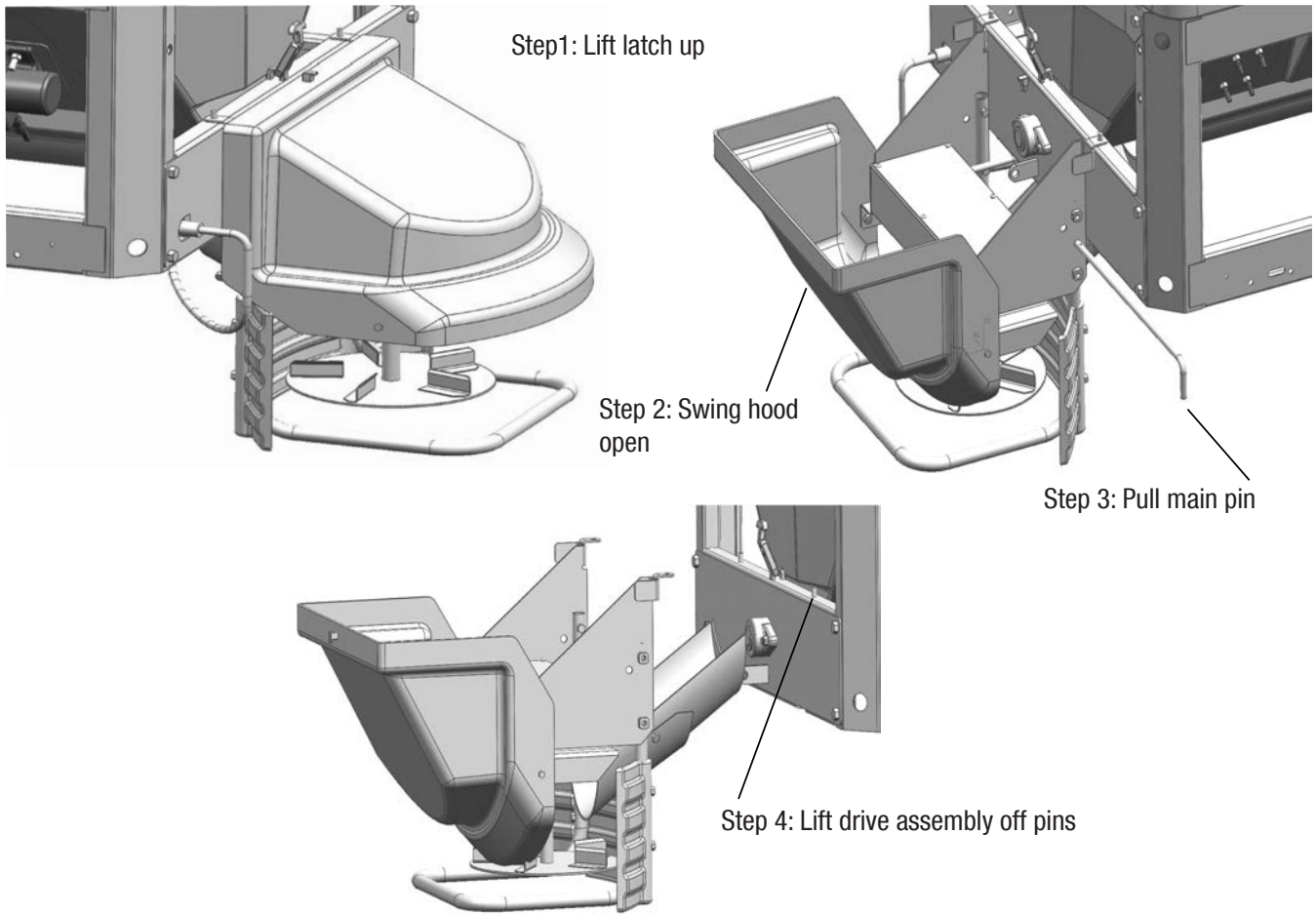
- The Baffle Extension (D-5503) is intended to be used with very dry products that free-flow with little effort. The baffle is designed to keep these types of materials from leaking out.
- If you plan on using damp/wet materials, you should remove this baffle by removing the self-drilling screws.
- If you are using a sand/salt mixture, remove baffle extension.



Drive Enclosure Installation Instructions



Model # SP-7550



Important

When installing drive unit on spreader make sure the material chute clips under the trough of the hopper.



Spreader Maintenance

Model # SP-7550

- **WARNING** – When servicing is necessary, perform it in a protected area Do not use power tools in rain or snow because of danger of electrical shock or injury. Keep area well lighted. Use proper tools. Keep the area of service clean to help avoid accidents.
- **WARNING:** Never remove spreader with material in hopper.
- **WARNING:** Disconnect electricity to spreader before servicing.
- **CAUTION:** – When replacing parts use only original manufacturer’s parts. Failure to do so will void warranty.
- **CAUTION:** – The controller is a solid state electronic unit and is not serviceable. Any attempt to service will void warranty.
- **CAUTION:** - There are no serviceable parts in the motor/transmission assembly. Any attempt to service will void warranty.
- **CAUTION:** - Spinner motor is not designed for continuous duty. Allow motor to cool between long cycle times.
- **CAUTION:** – When pressure washing motor enclosure area, stay at least 36” away from motor enclosures.
- **ATTENTION:** Store control in cool dry place during the off season.
- Use dielectric grease on all electrical connections to prevent corrosion at the beginning and end of the season and each time power plugs are disconnected.
- Wash unit after each use to prevent material build-up and corrosion.
- Paint or oil all bare metal surfaces at the end of the season.
- Apply small amount of light oil to latches as needed.
- If motor cover is removed for any reason, use silicone sealant to ensure weather proofing of enclosure.
- After first use, tighten all nuts and bolts on spreader and mount.
- Grease bearings after every 20 hour’s use.
- **CAUTION** – Vibrator is not designed for continuous duty. Allow motor to cool between long cycle times.
- **CAUTION** – Do not modify vehicle or spreader wiring harness. Doing so will void product warranty.

General Wiring Instructions

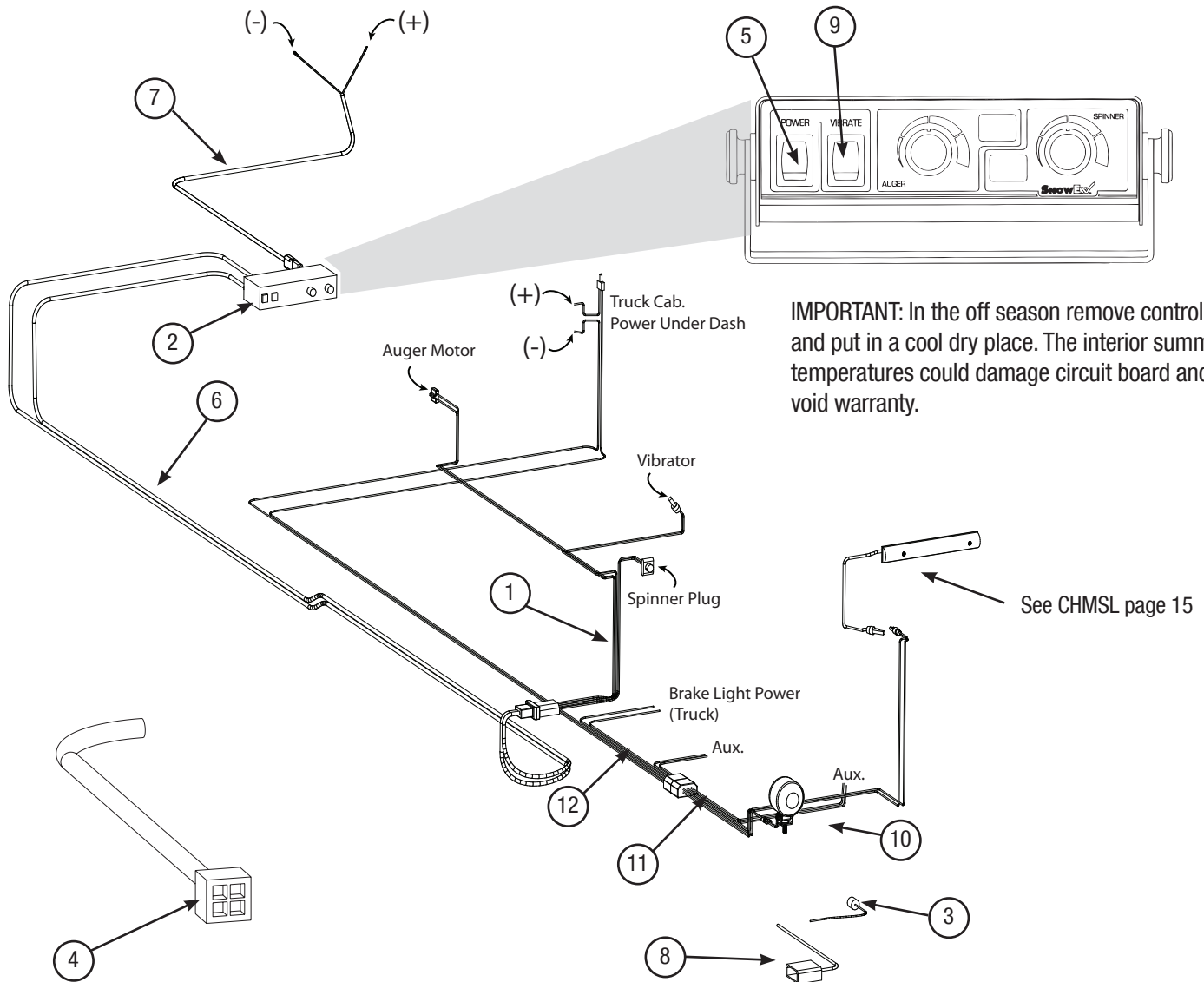


Model # SP-7550

- Step 1: Take harness assembly and route from the rear of the vehicle to the front. Route harness along frame and attach to frame hole and frame supports. It is not recommended to attach to fuel or brake lines for obvious reasons. Do not route close to exhaust system or engine, even though Snowex uses high temperature wiring. It still could melt under extreme heat and short the spreader electrical system, as well as the vehicle electrical system.
- Step 2: Mount rear plug on bumper using supplied bolts, locate towards the center of the bumper to reduce the amount of debris the tires will throw to the rear. Important: Apply a small amount of dielectric grease to the plug. Also try to mount so plug faces upward to help keep plugs tightly sealed.
- Step 3: Secure harness from the rear to the front using heavy duty ty-wraps or frame clips along the frame and lighter duty ty-wraps everywhere else.
- Step 4: Layout harness portion that connects to the battery along the fire wall and fender well. Do not connect power leads to battery yet. Drill a 3/4" hole in the fire wall, or use existing access hole, for the control portion of the harness and route connector and harness through hole. Be sure to check the area on the other side of the fire wall to make sure you are not drilling into the vehicle harness or a control module. Generally you can drill on either side of the steering wheel for a good location.
- Step 4A: The power harness from control box to battery will need to be routed from the inside of the cab to the battery – this results from the large high amperage connector. Route leads with lugs to battery — do not connect power at this time.
- Step 5: Connect harness to the back of the controller and mount to a suitable location. NOTE: You may want to contact customer before mounting controller as some prefer not to have holes drilled into the dashboard. Ty-wrap loose controller harness and move to the engine compartment. Do not mount close to any heater vents.
- Step 6: Connect power leads to the battery: Red + Positive, Black – Negative, always connect to the primary battery if using a dual battery system. Secure loose loom to any other large or medium vehicle harness with medium duty ty-wraps, this will secure wiring harness.
- Step 7: Push the ON/OFF button on the controller to check for power ; when that has been confirmed turn power OFF. The electrical portion of the installation is complete.

Control and Harness Diagram

Model # SP-7550



IMPORTANT: Do Not modify harness length. Any modifications will void warranty.

Special Notes:

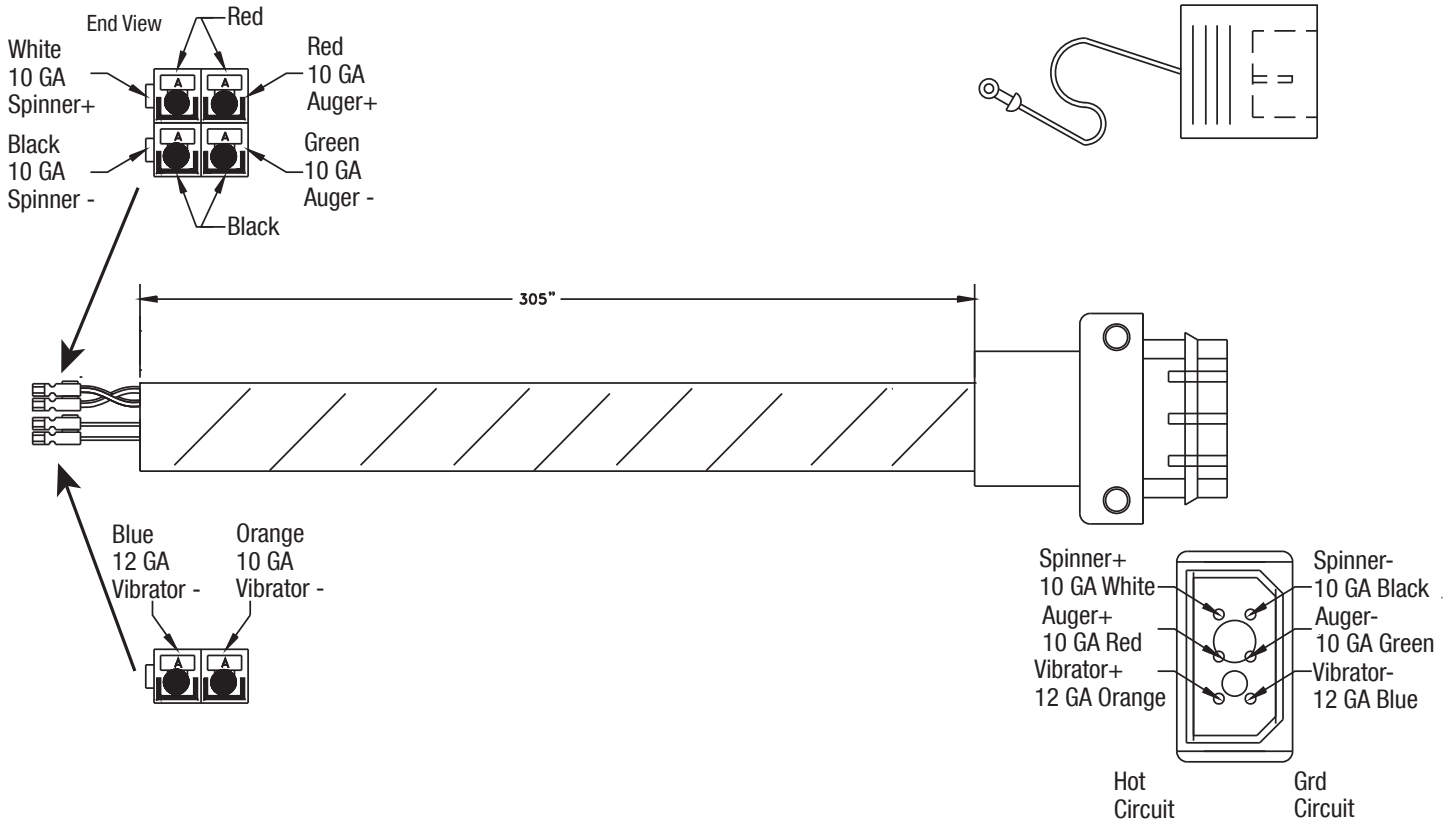
- 1) All external connections must have dielectric grease.
- 2) Read lead labels before attaching to power source or ground.
- 3) No other devices may be spliced into wiring harness.
- 4) Any repairs to wiring harness must be done with heat shrink butt connectors.

Key	Part No.	Description	Qty
1	D5524	Spreader Harness 87-1/4"	1
2	D5525	Spreader Control SP-7550	1
3	D6118	Dust Cover Standard	1
4	D6170	Connector Adapter 6" Anderson	1
5	D6237	Power Switch 5 Terminal	1
6	D6322	Vehicle Harness 311"	1
7	D6341	Control Power Cable 156" Pro	1
8	D6343	Dust Cover Pro	2
9	D6354	Vibrator Switch 3 Terminal Red	1
10	D6784	Utility Work Light	1
11	D6785	Spreader Auxiliary Harness 56"	1
12	D6786	Vehicle Auxiliary Harness 310"	1

Harness Diagram

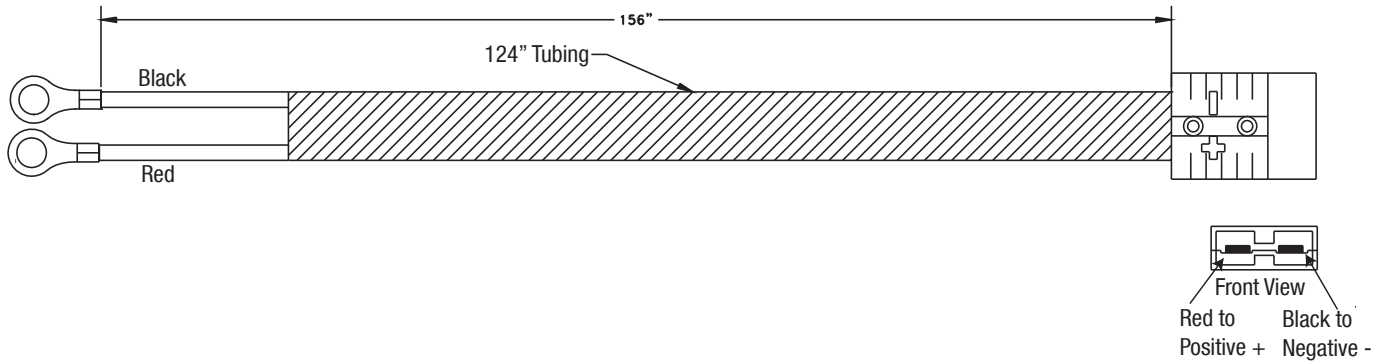
Model # SP-7550

D6322 Vehicle Harness



D6341 Control Power Cable

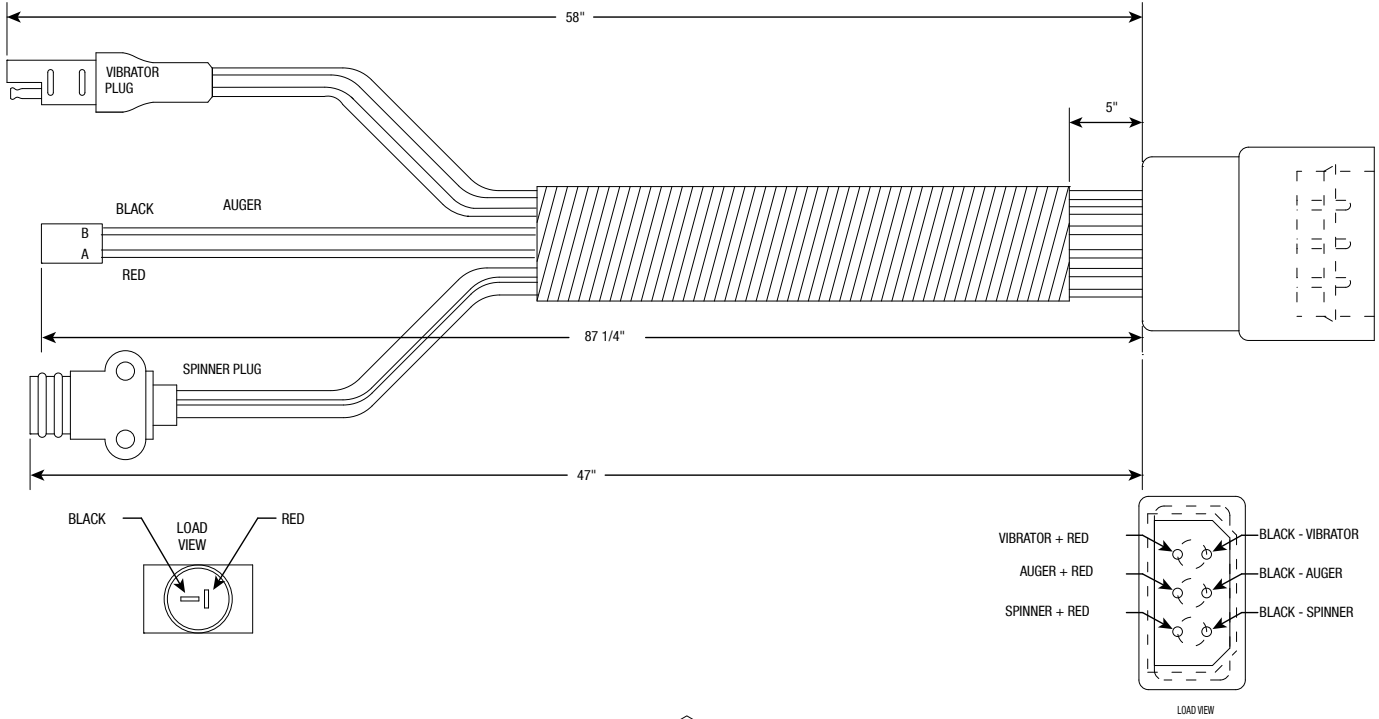
3/8" Terminal w/Heat Shrink



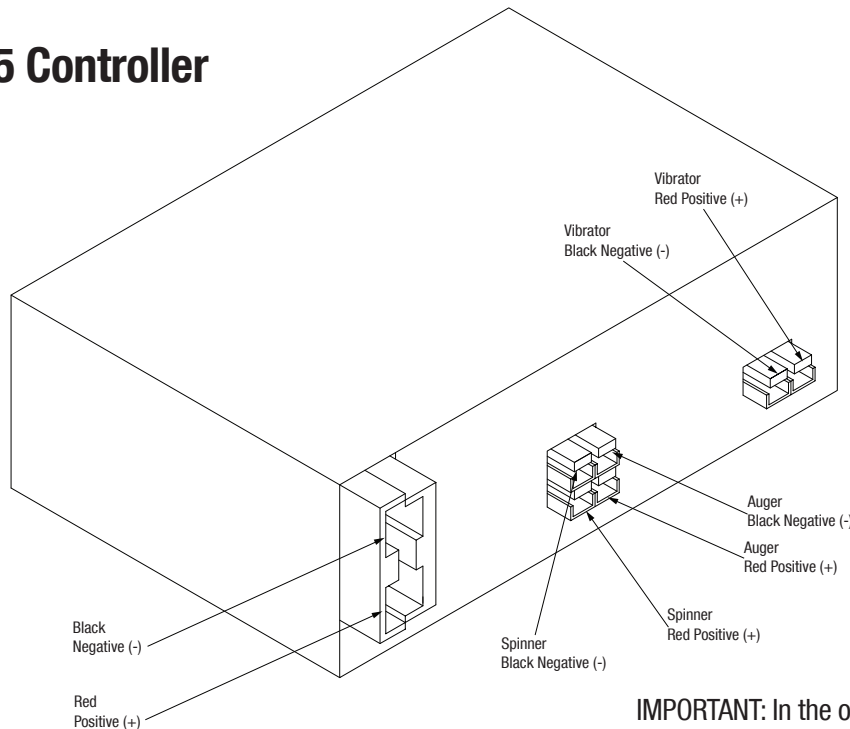
Harness Diagram

Model # SP-7550

D5524 Spreader Harness



D5525 Controller

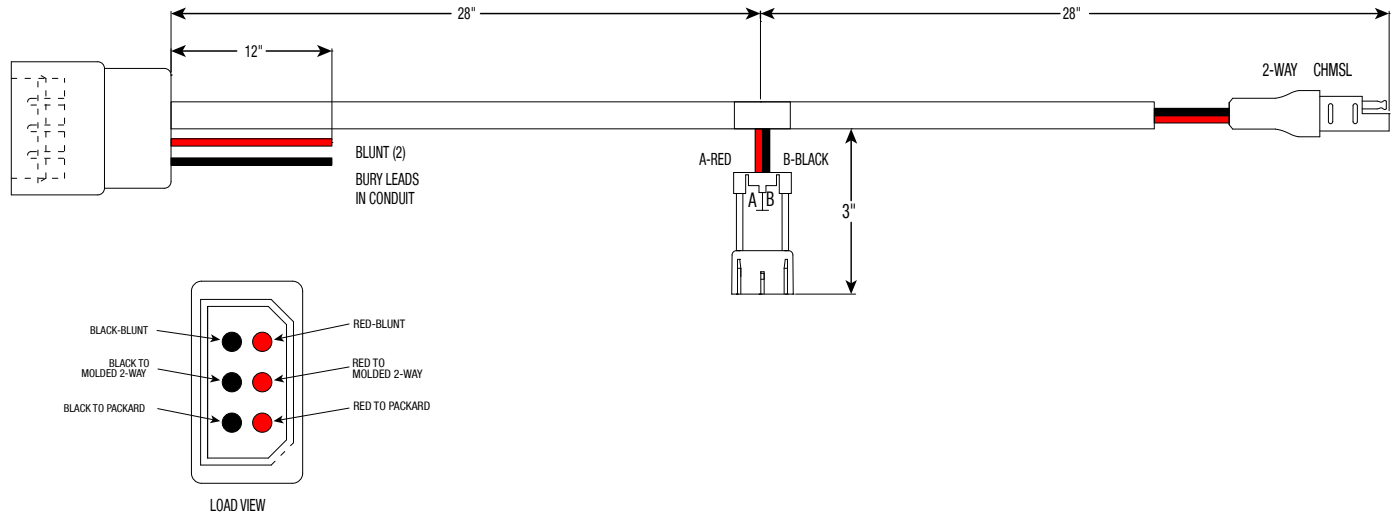


IMPORTANT: In the off season remove control and put in a cool dry place. The interior summer temperatures could damage circuit board and void warranty.

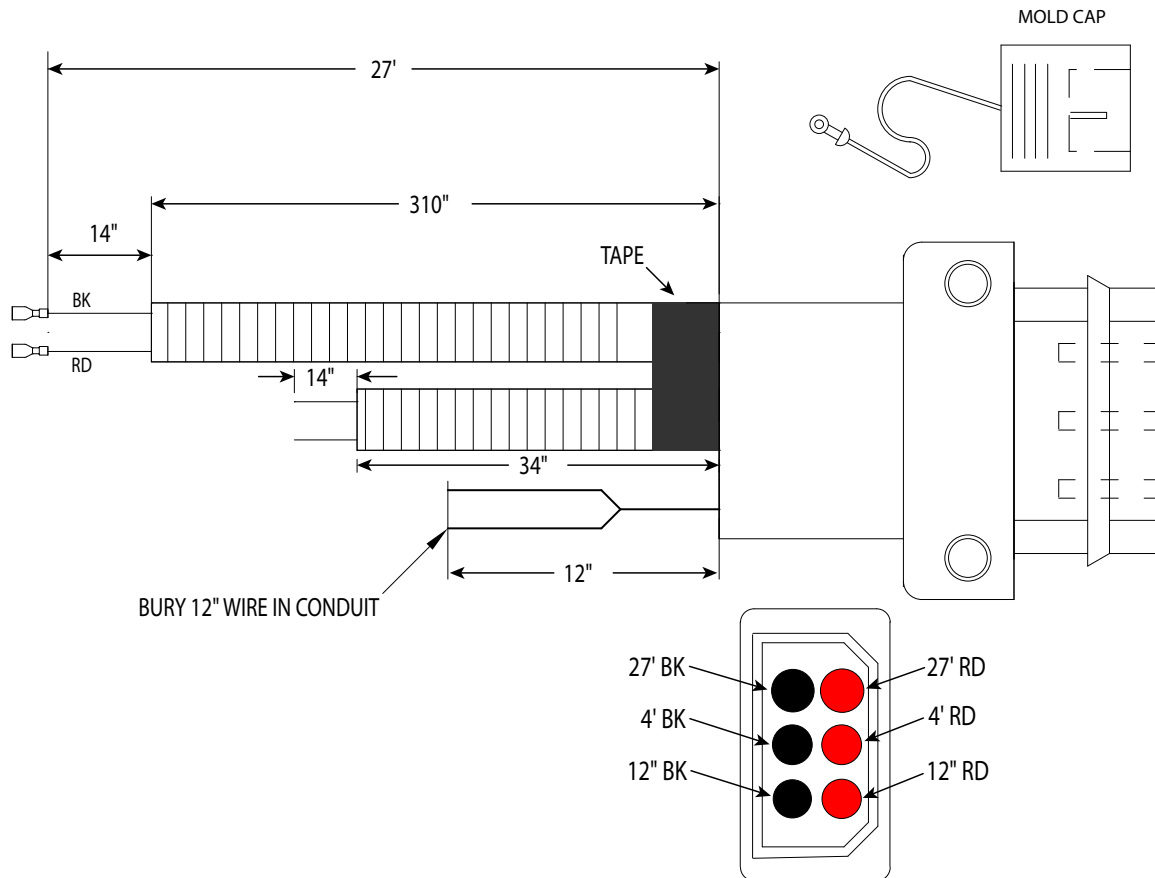
Harness Diagram

Model # SP-7550

D6785 Spreader Auxiliary Harness



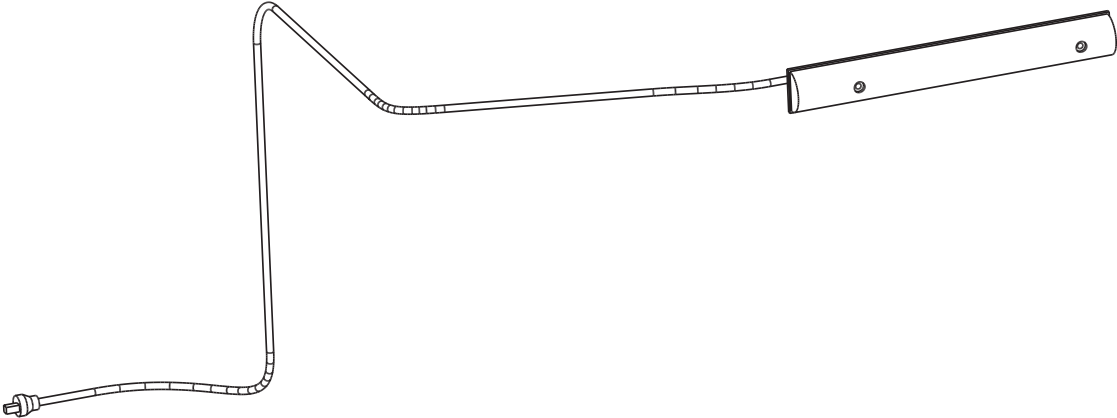
D6786 Vehicle Auxiliary Harness



Harness Diagram

Model # SP-7550

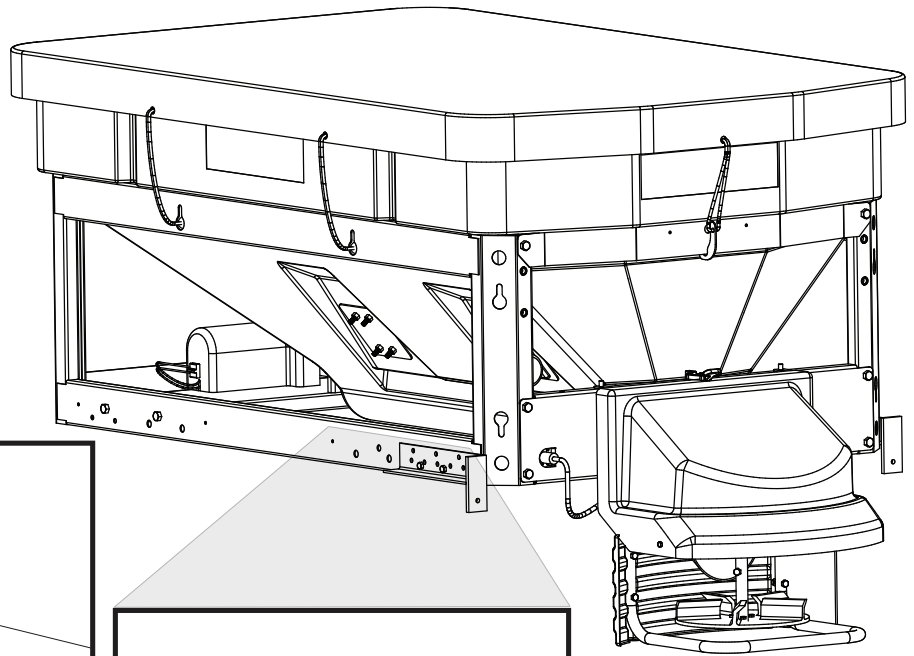
D6514 Center High Mount Stop Lamp



Connect to Spreader Harness D6785

Mounting System Diagrams

Model # SP-7550



Through Floor/Bed Mounting Bolts

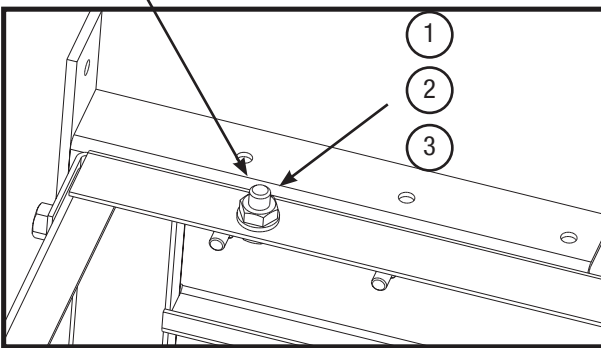
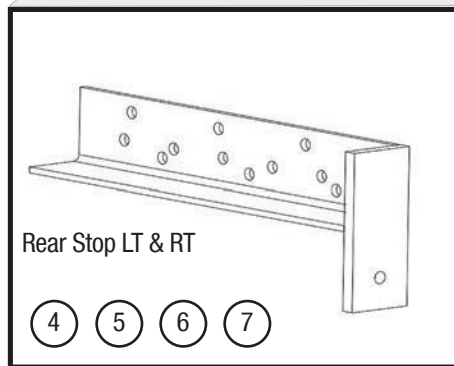


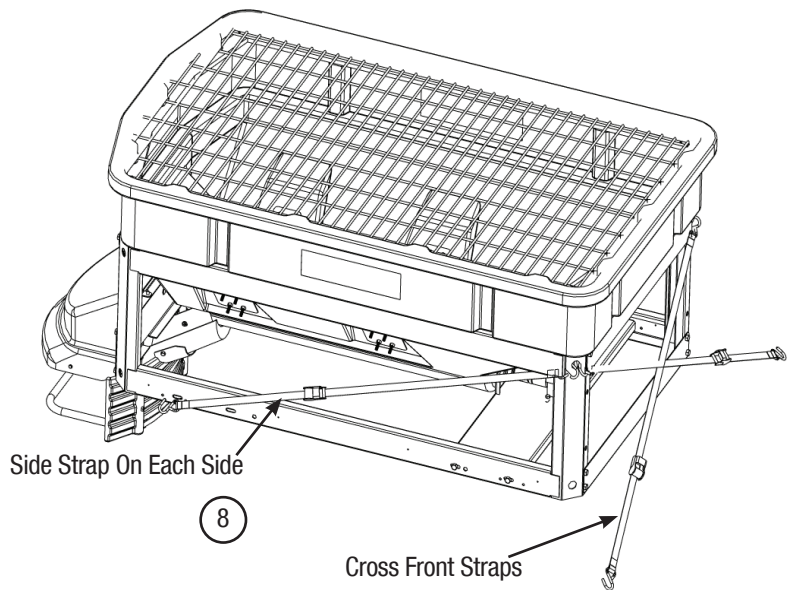
Figure 2 : Frame Mounting Bolts



Rear Stop LT & RT

Figure 1 :

Key	Part No.	Description	Qty
1	D4116	Bolt 1/2"-13 X 1-1/2"	4
2	D4119	Washer 1/2" Flat	4
3	D4120	Nut 1/2"-13 Nylox	4
4	D4121	Bolt 3/8"-16 X 1"	4
5	D4124	Nut 3/8"-16 Nylox	4
6	D6536	Adjustable Stop Bracket Right	1
7	D6537	Adjustable Stop Bracket Left	1
8	D6856	V-Maxx Ratchet Straps	4



Mounting Instructions

Model # SP-7550

Step 1: Remove tailgate from pickup bed.

Step 2: Load spreader on to truck bed and mount spinner assembly.

Step 3: Slide spreader forward until deflector/chute assembly makes contact with vehicle. Then, slide spreader back approx. 1" to allow for proper clearance.

Step 4: Install stop bars using supplied hole patterns (see Fig.2). To achieve the best position, you may need to drill additional holes in bracket in order to properly position spreader.

Step 5: Now that the spreader is positioned front to back, you will now center it left to right. Looking at the inside front and corner of the lower frame area, you will notice (4) holes in the bottom of the frame. Using a paint pen or similar marking device, mark hole locations.

Step 6: Before drilling holes, look beneath the approximate area where each hole will be located. Make sure there are no vehicle components that will be in the path of the drill before doing this step. If there are interferences, you can relocate holes as needed making sure there are at least two forward and two rearward of the front to back centerline.

Step 7: Install and tighten all (4) bolts.

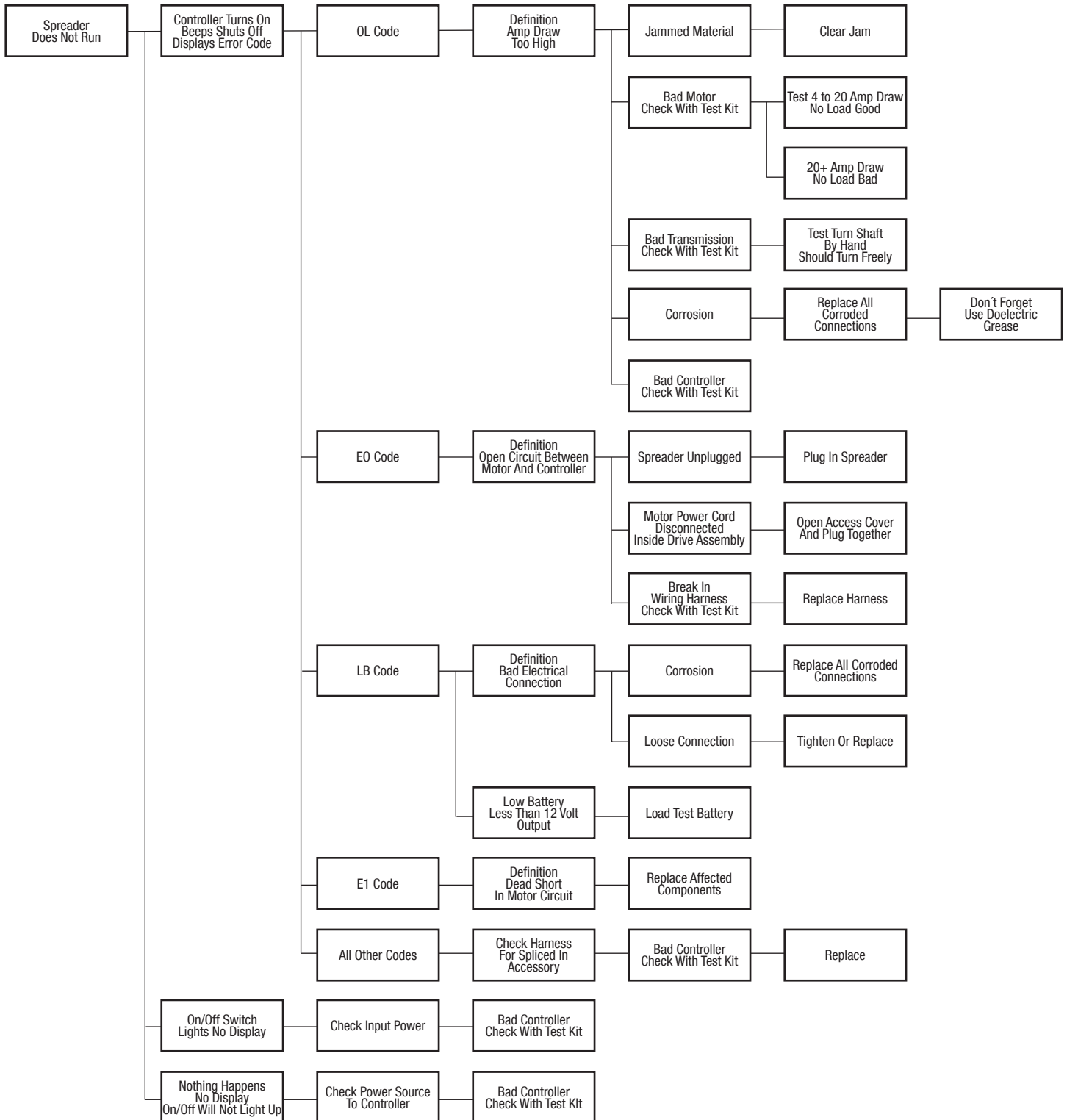
Step 8: Install ratchet straps (see 7550 Mounting System: Strapping Techniques). It is very important for everyone's safety this strapping method be used as the standard mounting procedure. (Do not use ratchet straps exclusively.)

Step 9: Connect the spreader power cord to vehicle main power plug mounted at rear of vehicle (see Electrical Installation).

Troubleshooting



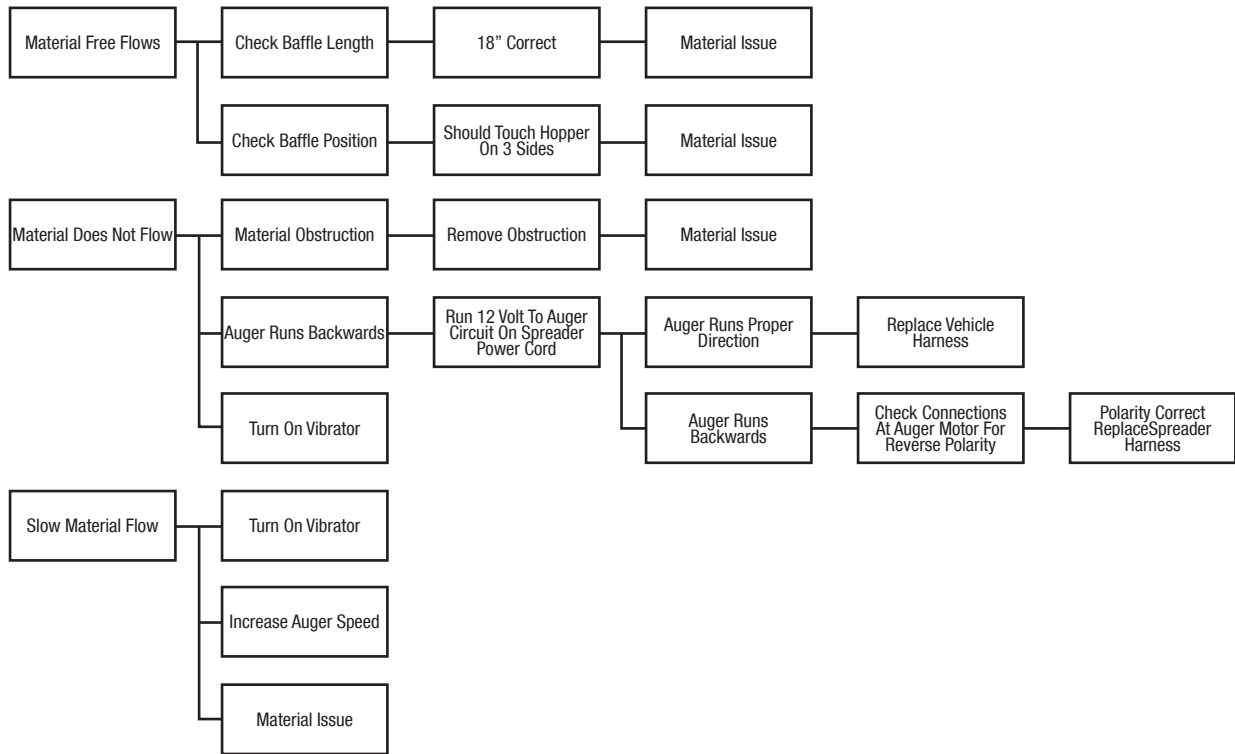
Model # SP-7550



Snowex Diagnostic Test Kit (STK-090) Is Available To Accurately Diagnose Any Issues With Snowex Spreaders. Call Your Dealer For Details.

Troubleshooting Material Flow

Model # SP-7550



Snowex Diagnostic Test Kit (STK-090) is Available To Accurately Diagnose Any Issues With Snowex Spreaders. Call Your Dealer For Details.

Limited Warranty

Snowex products are warranted for a period of two years from the date of purchase against defects in material or workmanship under normal use and service, subject to limitations detailed below. Warranty period of two years begins on the date of purchase by the original retail user.

The WARRANTY REGISTRATION CARD must be returned to the manufacturer for this warranty to become effective. This warranty applies to the original retail purchaser only. This warranty does not cover damages caused by improper installation, misuse, lack of proper maintenance, alterations or repairs made by anyone other than authorized Snowex dealers or Snowex personnel. Due to the corrosive properties of the materials dispensed by spreaders, Trynex does not warrant against damage caused by corrosion. Warranty claims by the user must be made to the dealer from where the product was purchased, unless otherwise authorized by Snowex. Snowex reserves the right to determine if any part is defective and to repair or replace such parts as it elects. This warranty does not cover shipping costs of defective parts to or from the dealer.

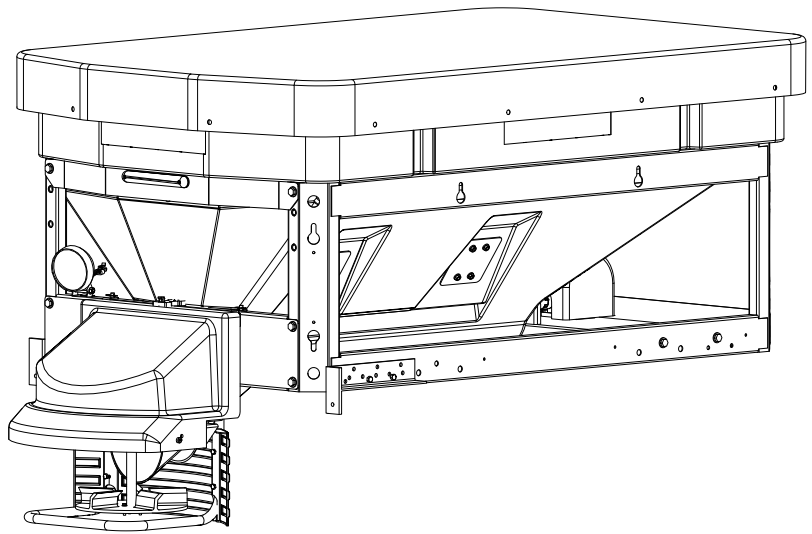
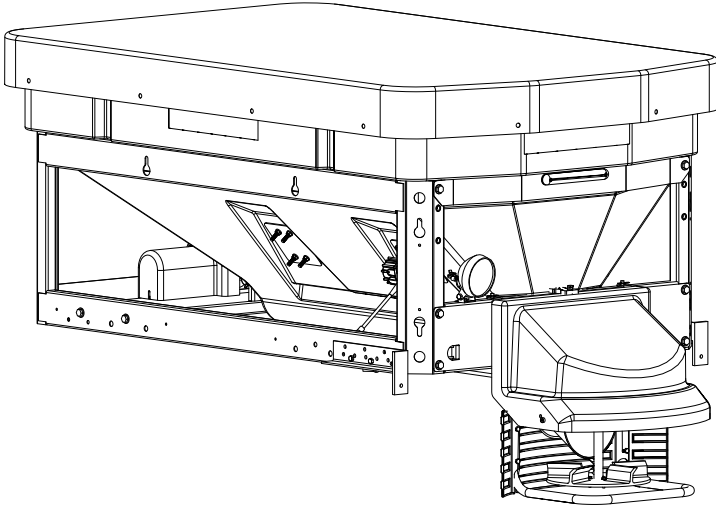
LIMITATION OF LIABILITY

Neither Snowex, nor any company affiliated with it, makes any warranties, representations for promise as to the performance or quality other than what is herein contained. The liability of Snowex to the purchaser for damages arising out of the manufacture, sale, delivery, use or resale of this spreader shall be limited to and shall not exceed the costs of repair or replacement of defective parts. Snowex shall not be liable for loss of use, inconvenience or any other incidental, indirect or consequential damages, so the above limitations on incidental or consequential damages may not apply to you.

NO DEALER HAS AUTHORITY TO MAKE ANY REPRESENTATION OR PROMISE ON BEHALF OF SNOWEX, OR TO ALTER OR MODIFY THE TERMS OR LIMITATIONS OF THIS WARRANTY IN ANY WAY.

Spreader Views

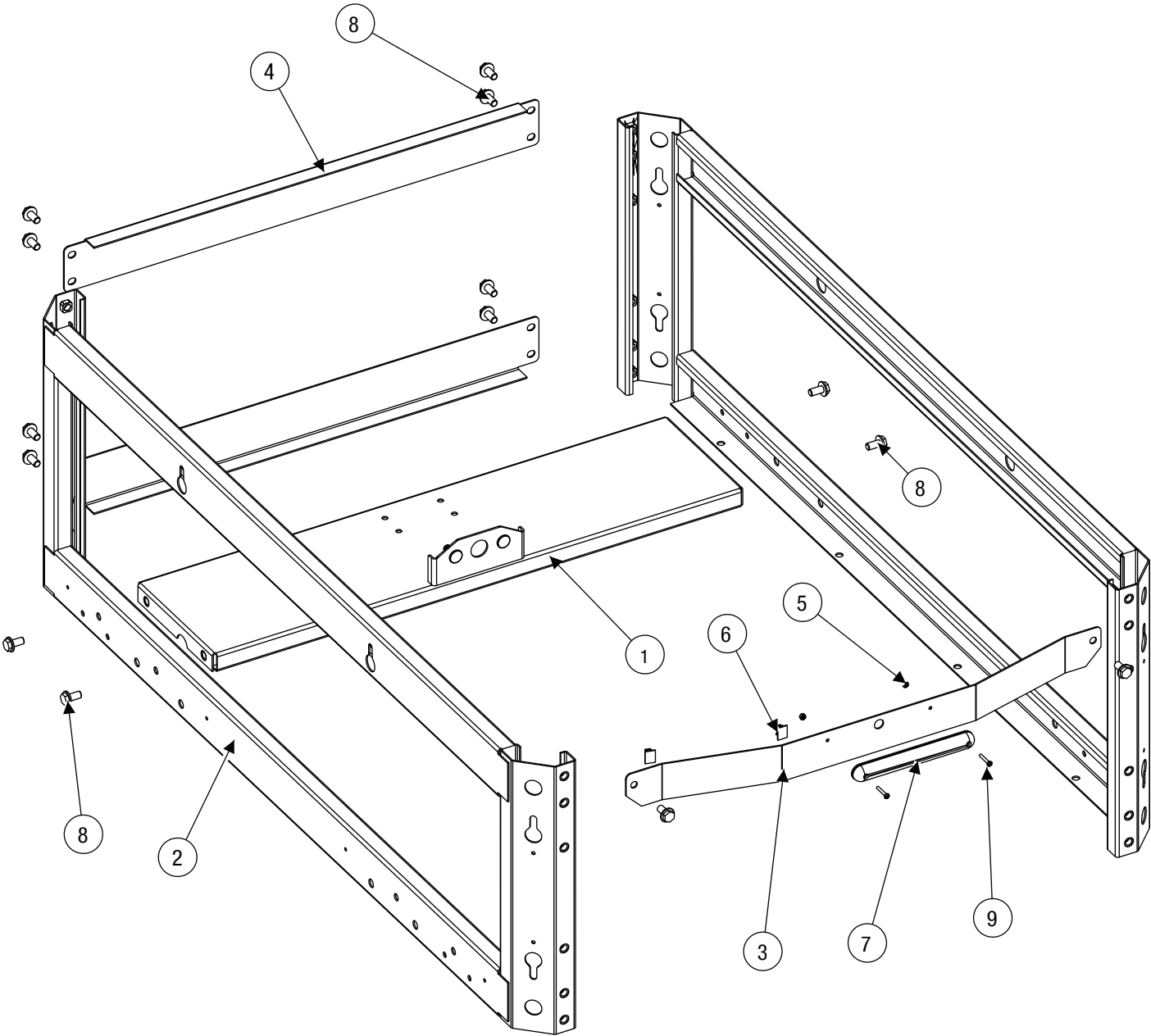
Model # SP-7550



Frame Assembly Parts Breakdown

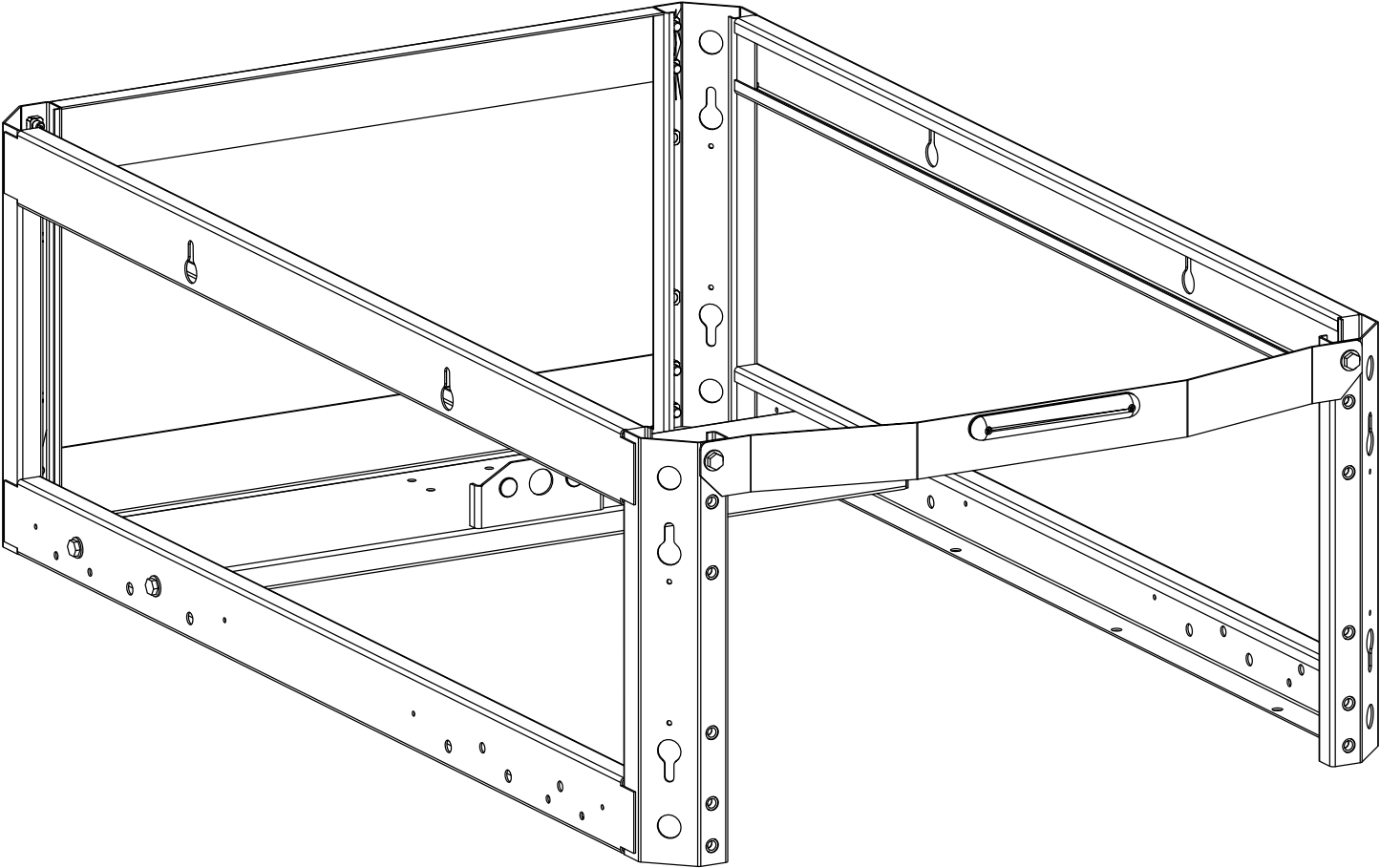


Model # SP-7550



Frame Assembly Parts Breakdown

Model # SP-7550



ID #	Part #	Qty
1	D5504	1
2	D5505	2
3	D5506	1
4	D5507	2

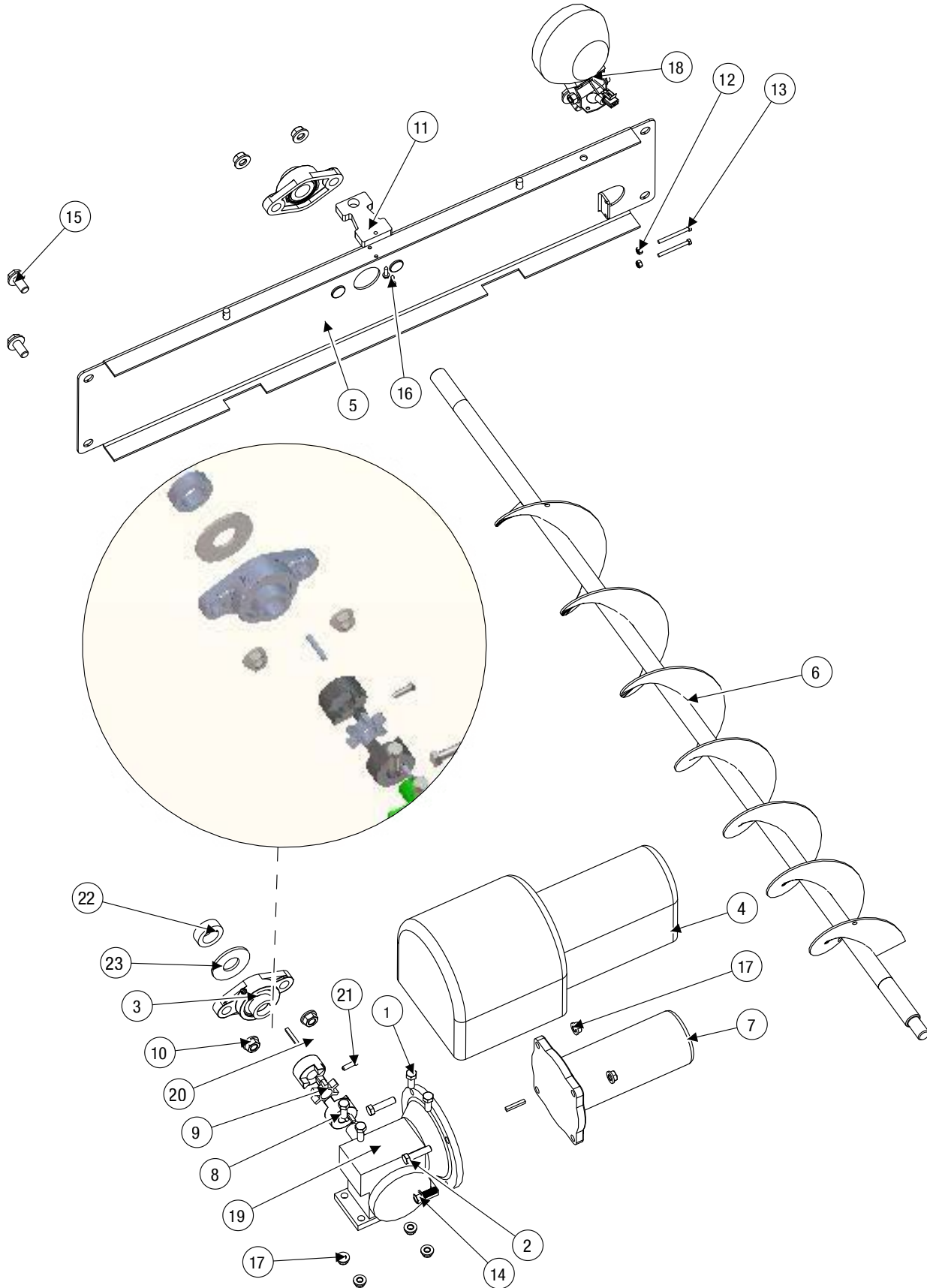
ID #	Part #	Qty
5	D6158	2
6	D6468	2
7	D6514	1
8	D6528	14

ID #	Part #	Qty
9	D6529	2

Auger Drive Assembly Parts Breakdown



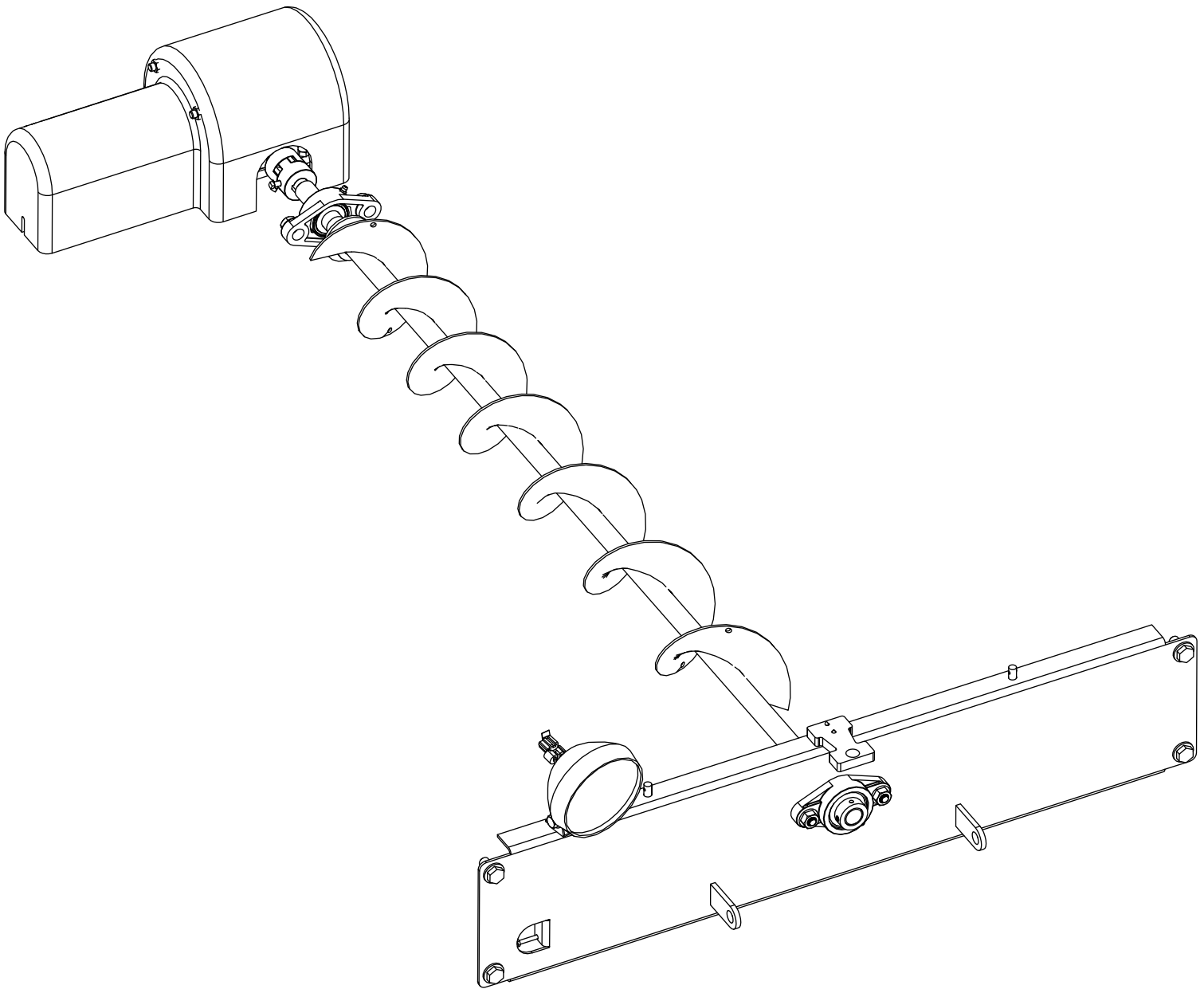
Model # SP-7550



Auger Drive Assembly Parts Breakdown



Model # SP-7550



ID #	Part #	Qty
1	D4121	4
2	D4122	2
3	D5383	2
4	D5513	1
5	D5514	1
6	D5520	1
7	D5522	1
8	D5532	2

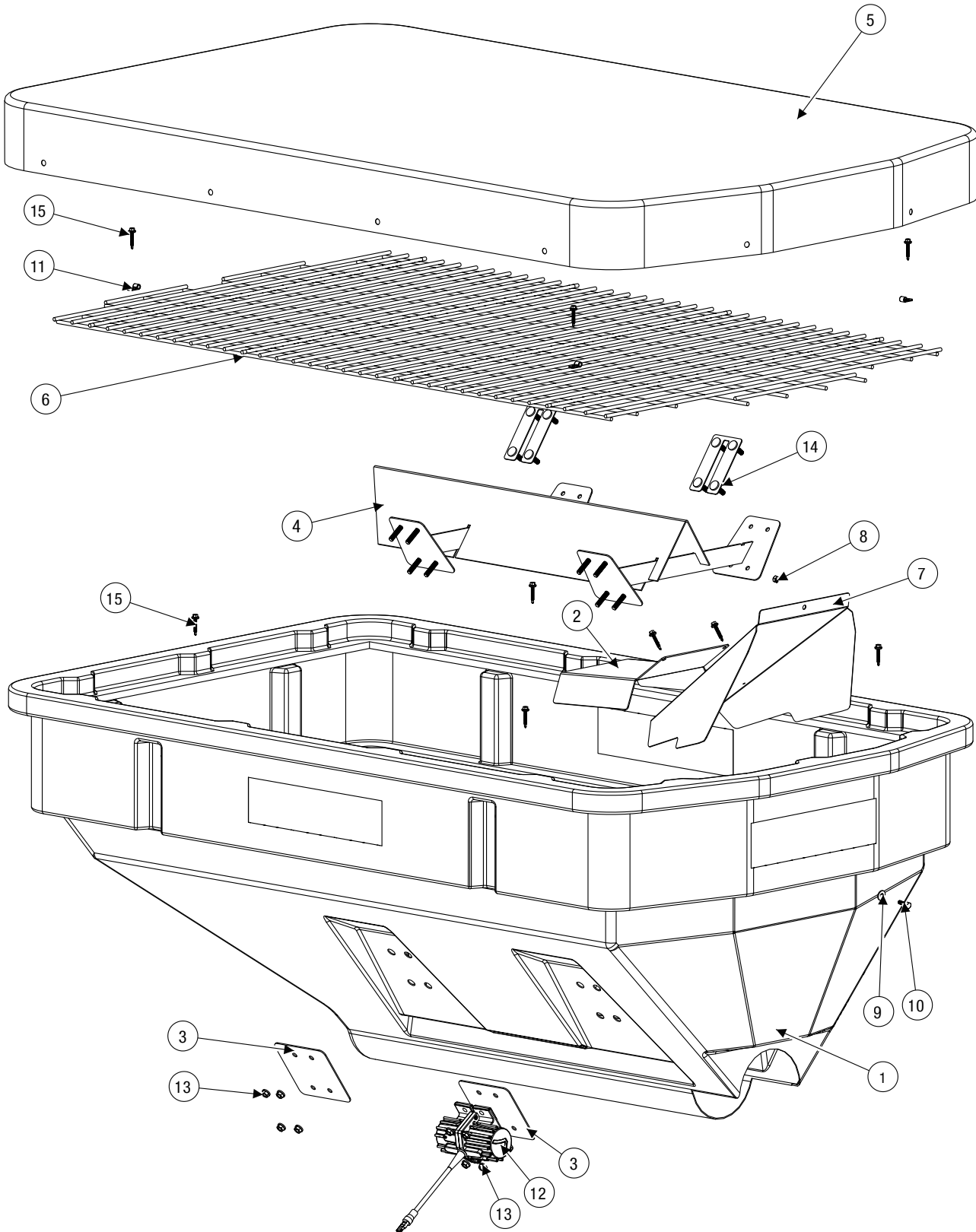
ID #	Part #	Qty
9	D5533	1
10	D5535	4
11	D6105	1
12	D6158	2
13	D6159	2
14	D6452	2
15	D6528	4
16	D6553	2

ID #	Part #	Qty
17	D6584	6
18	D6784	1
19	D6826	1
20	D6873	3
21	D7164	2
22	T20315	1
23	T30742	1

Hopper Assembly Parts Breakdown



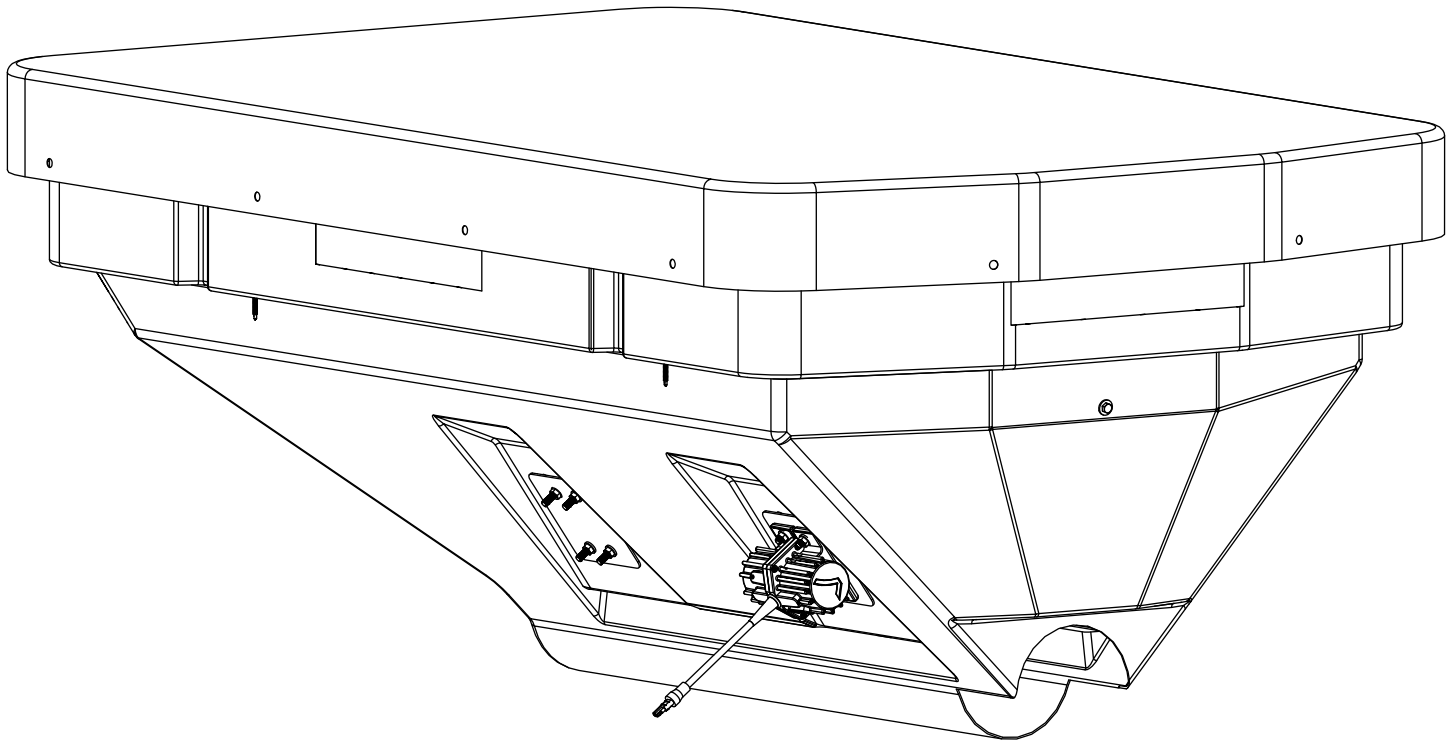
Model # SP-7550



Hopper Assembly Parts Breakdown



Model # SP-7550



ID #	Part #	Qty
1	D5500	1
2	D5503	1
3	D5508	4
4	D5510	1
5	D5511	1
6	D5512	1

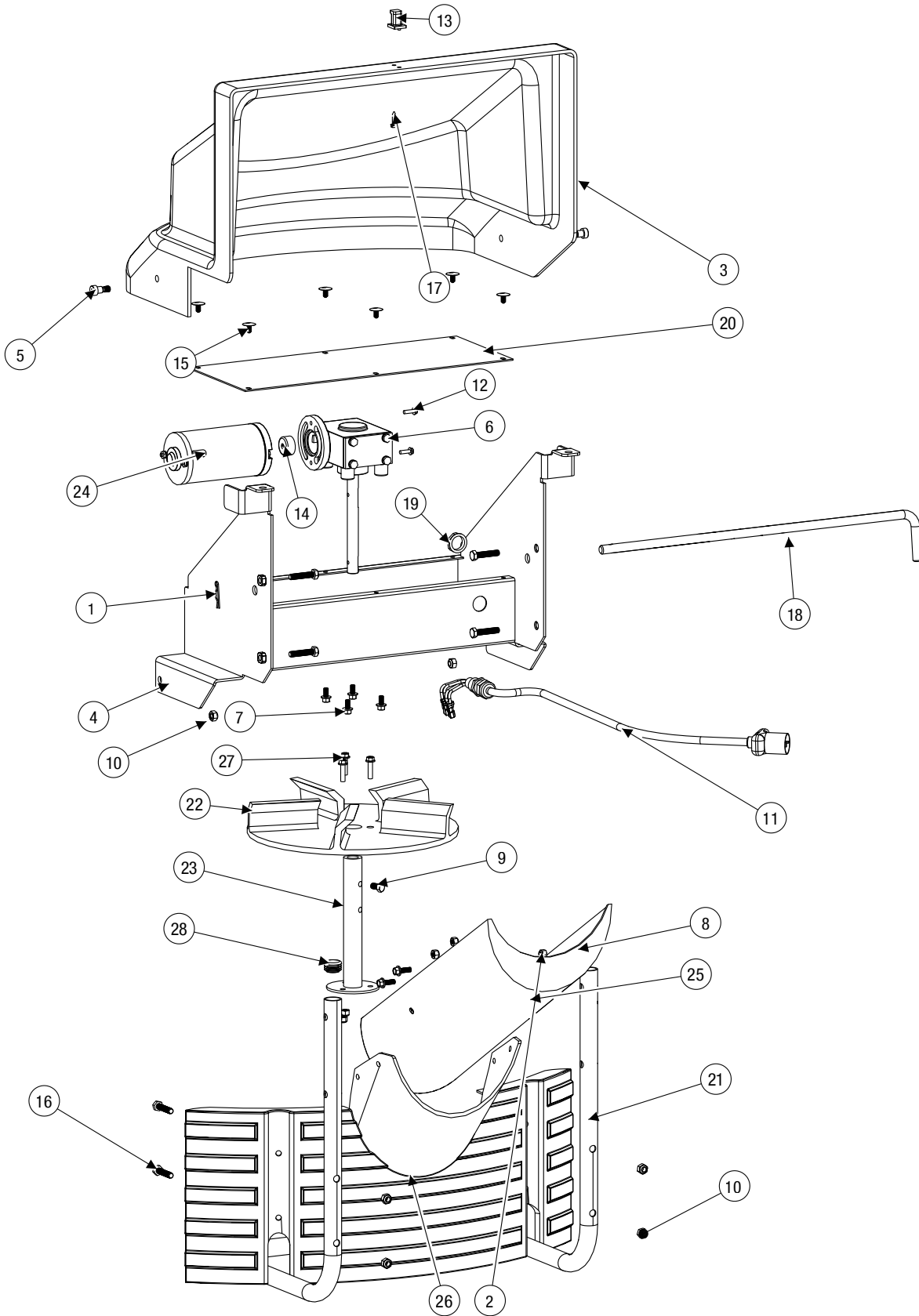
ID #	Part #	Qty
7	D5517	1
8	D6138	1
9	D6165	1
10	D6166	1
11	D6509	4
12	D6515	1

ID #	Part #	Qty
13	D6584	16
14	D6815	2
15	D6874	10

Drive Assembly Parts Breakdown



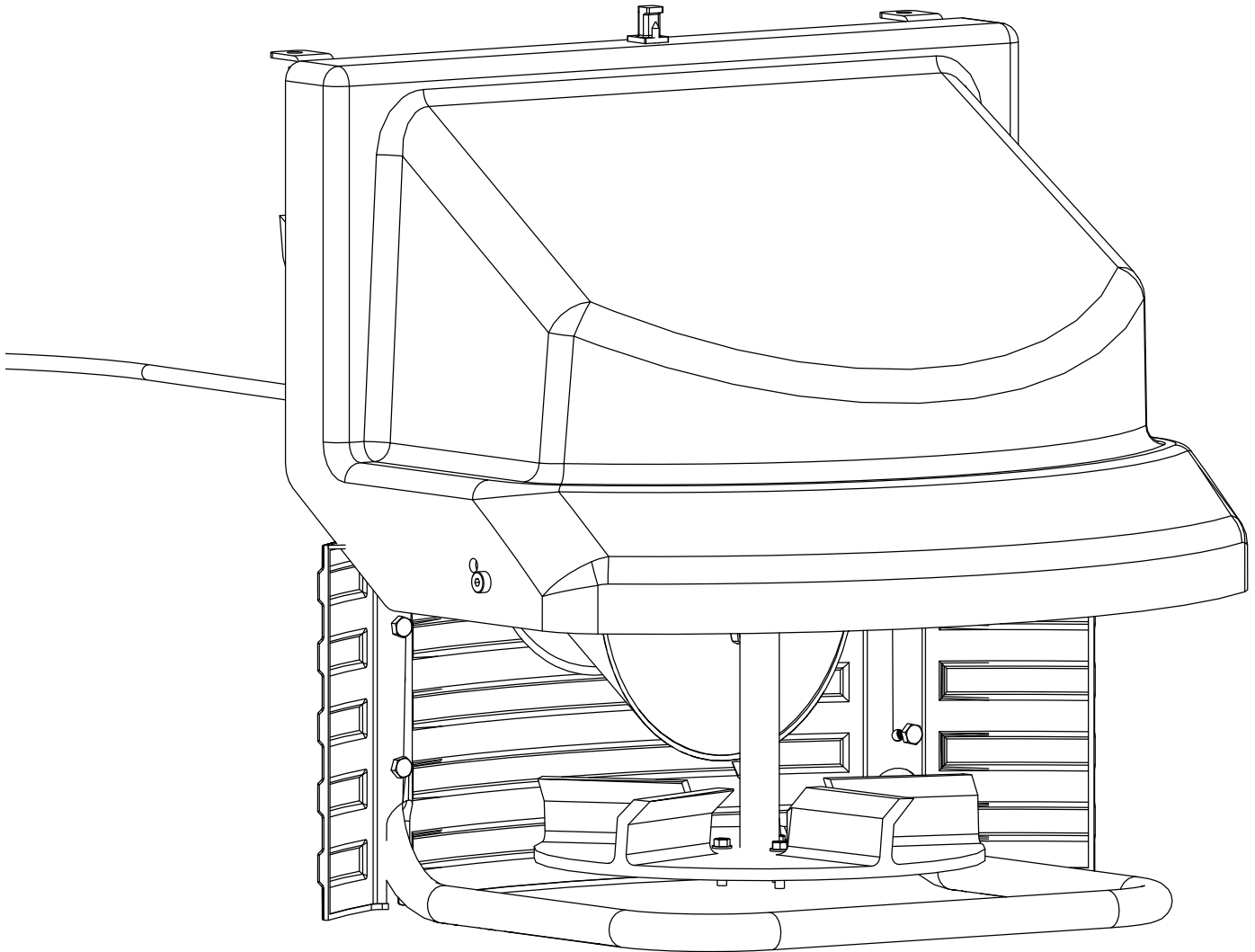
Model # SP-7550



Drive Assembly Parts Breakdown



Model # SP-7550



ID #	Part #	Qty
1	D4135	1
2	D4289	7
3	D5502	1
4	D5518	1
5	D5536	2
6	D6107	1
7	D6131	4
8	D6132	4
9	D6133	1
10	D6138	6

ID #	Part #	Qty
11	D6162	1
12	D6172	2
13	D6198	1
14	D6232	1
15	D6467	6
16	D6524	8
17	D6553	1
18	D6563	1
19	D6781	1
20	D6819	1

ID #	Part #	Qty
21	D6820	1
22	D6823	1
23	D6824	1
24	D6827	1
25	D6832	1
26	D6833	1
27	D6854	3
28	F50438	2

Notes



Notes



