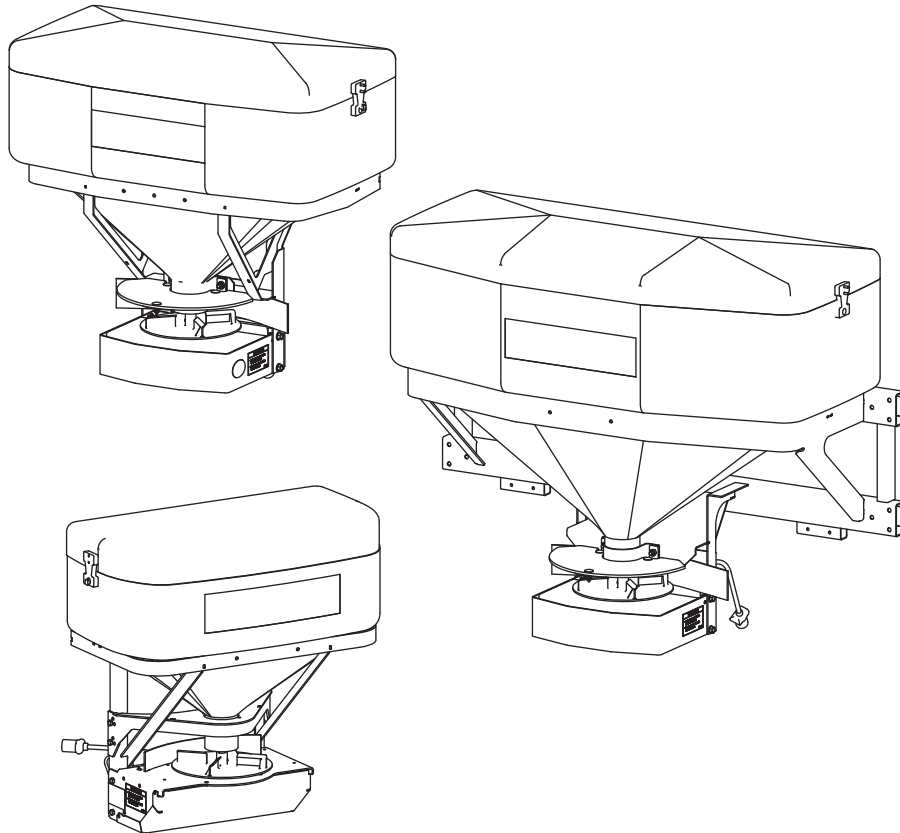


SNOWEX[®]

LEADERS IN ICE CONTROL

SP-325, SP-575X, SP-1075X Single-Stage Tailgate Spreaders

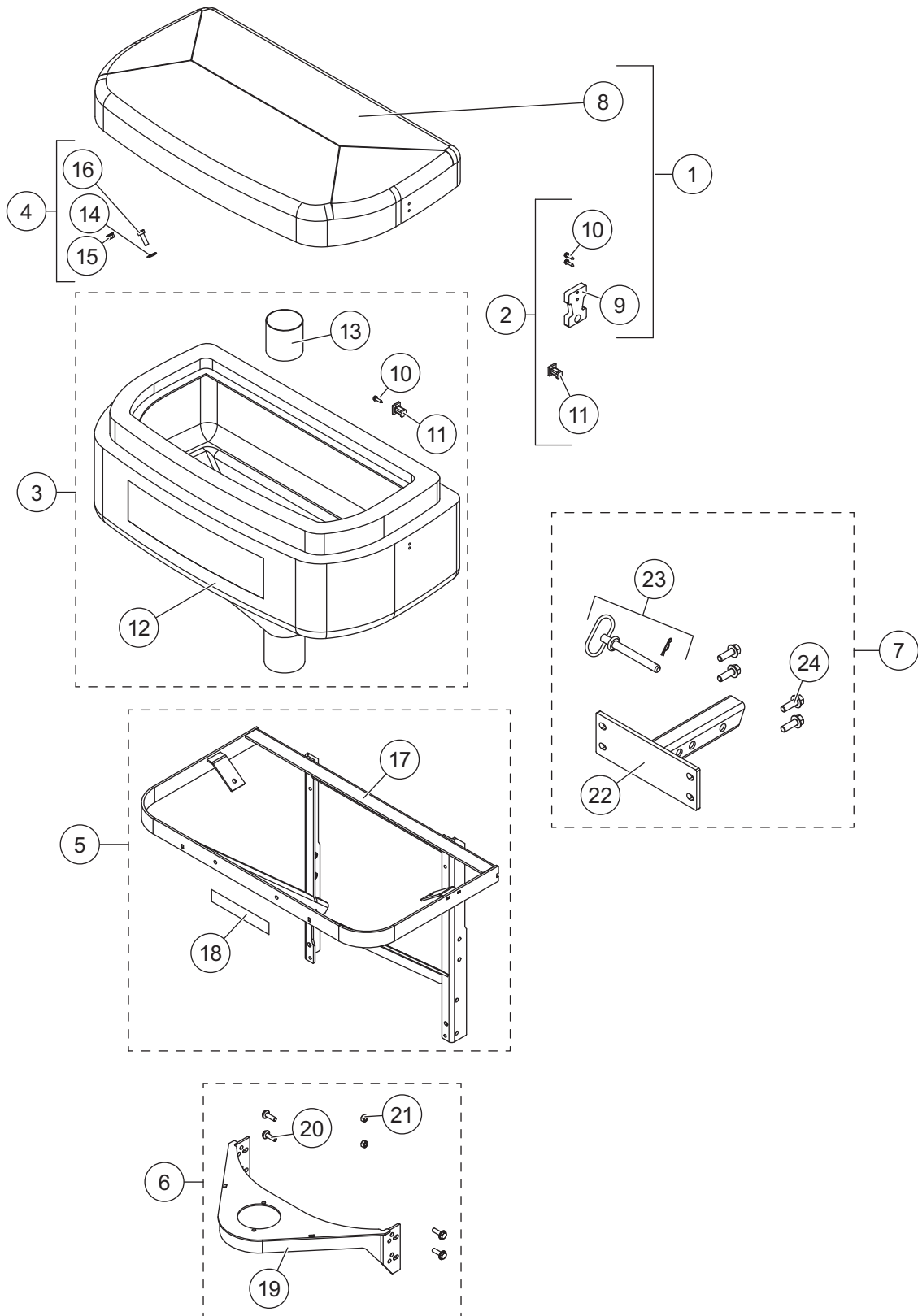
Parts List



This Parts List is for SnowEx[®] SP-325 spreaders with serial numbers beginning with 140502 and higher,
SP-575X spreaders with serial numbers beginning with 140718 and higher
and SP-1075X spreaders with serial numbers beginning with 140722 and higher.

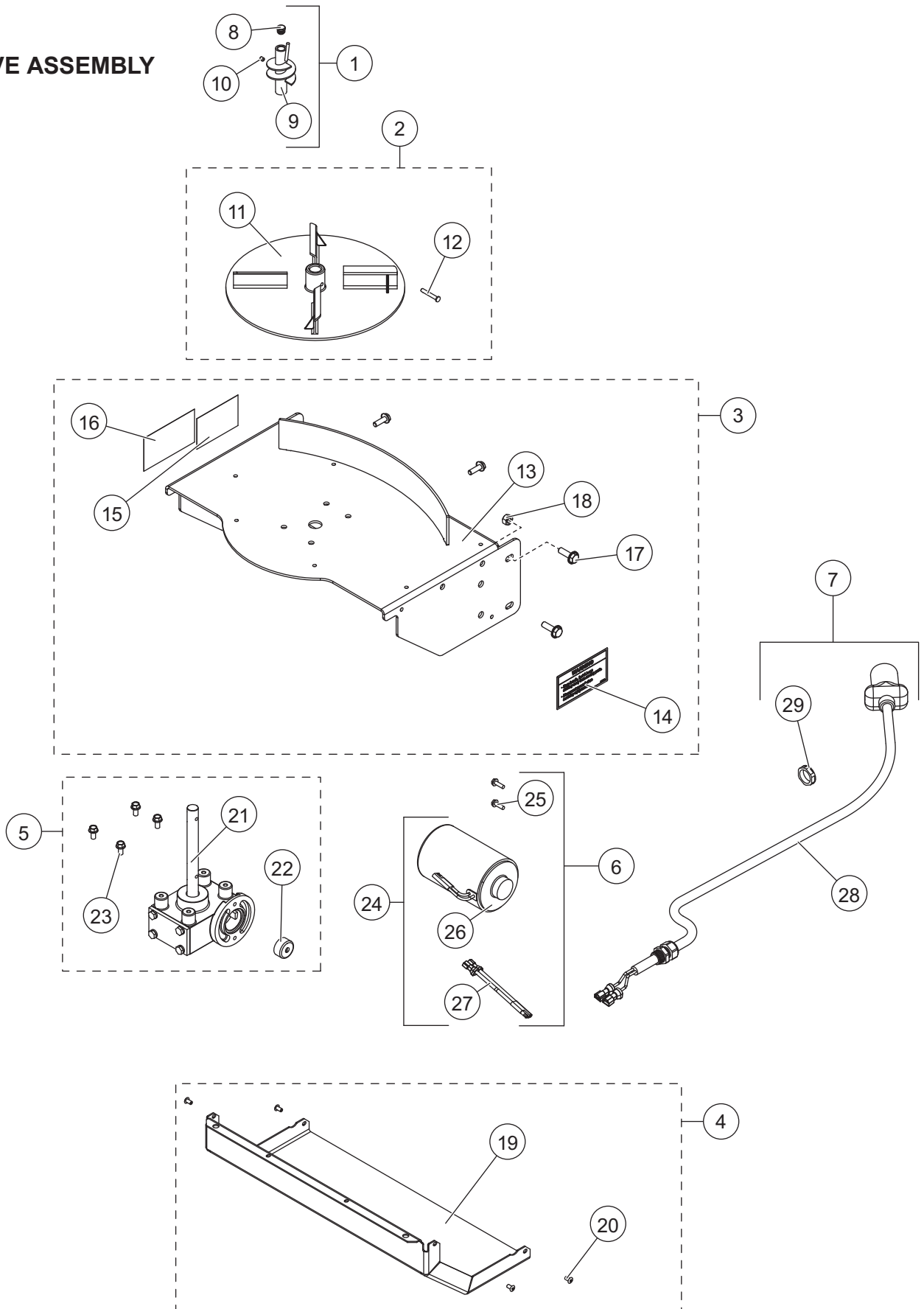
SP-325 TAILGATE SPREADER

HOPPER AND FRAME ASSEMBLY



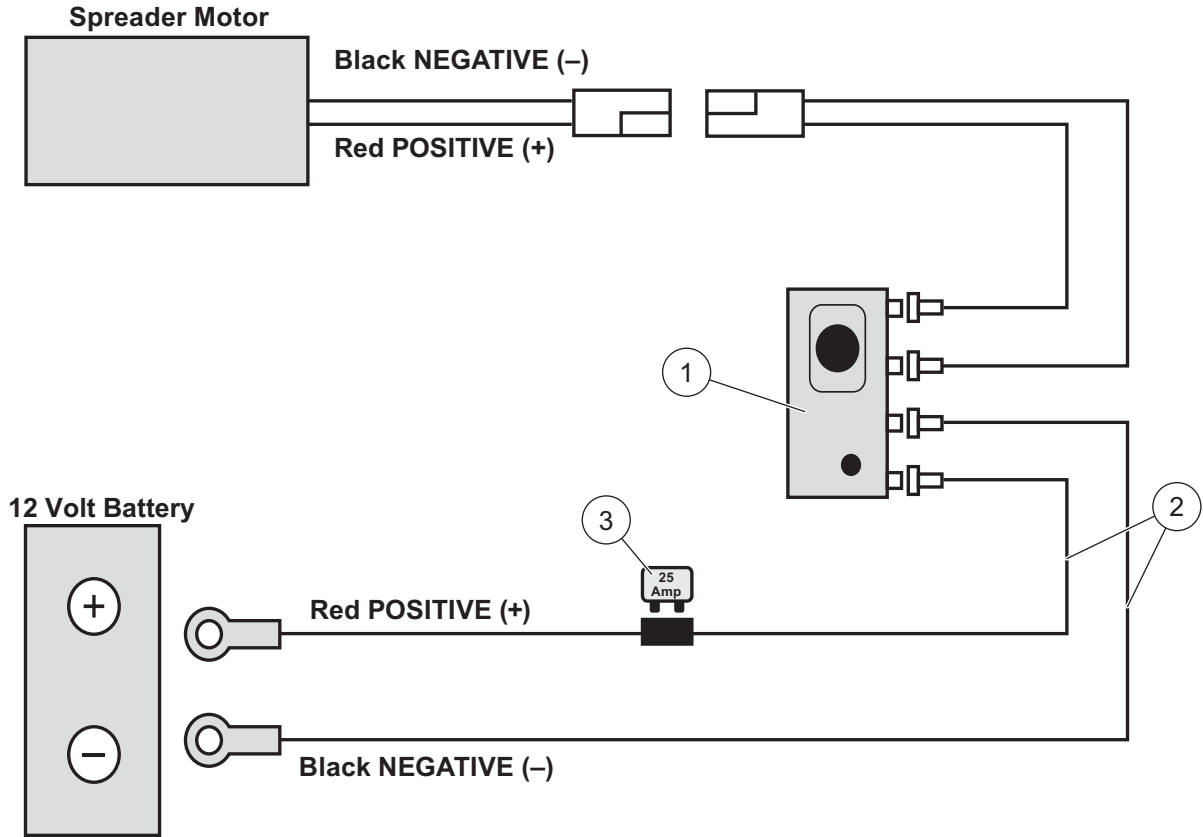
SP-325 TAILGATE SPREADER

DRIVE ASSEMBLY



SP-325 TAILGATE SPREADER

ELECTRICAL COMPONENTS

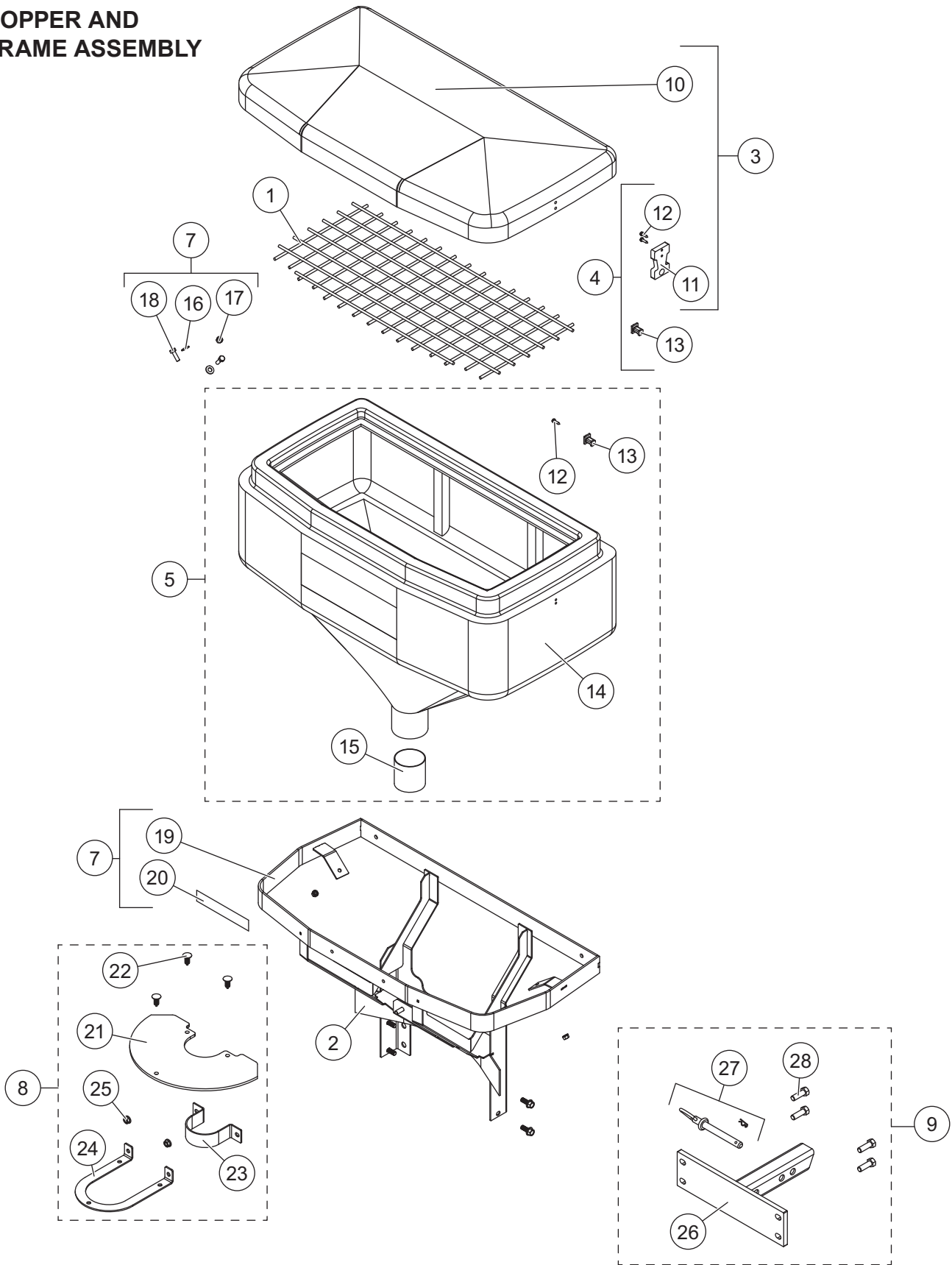


SP-325 TAILGATE SPREADER

| Electrical Components, SP-325 | | | | | | | |
|-------------------------------|-------|-----|-----------------|------|-------|-----|----------------|
| Item | Part | Qty | Description | Item | Part | Qty | Description |
| 1 | D6474 | 1 | Mini Control | 3 | D6748 | 1 | 25 Amp Breaker |
| 2 | D6486 | 1 | Harness, SP-325 | | | | |

SP-575X TAILGATE SPREADER

HOPPER AND FRAME ASSEMBLY

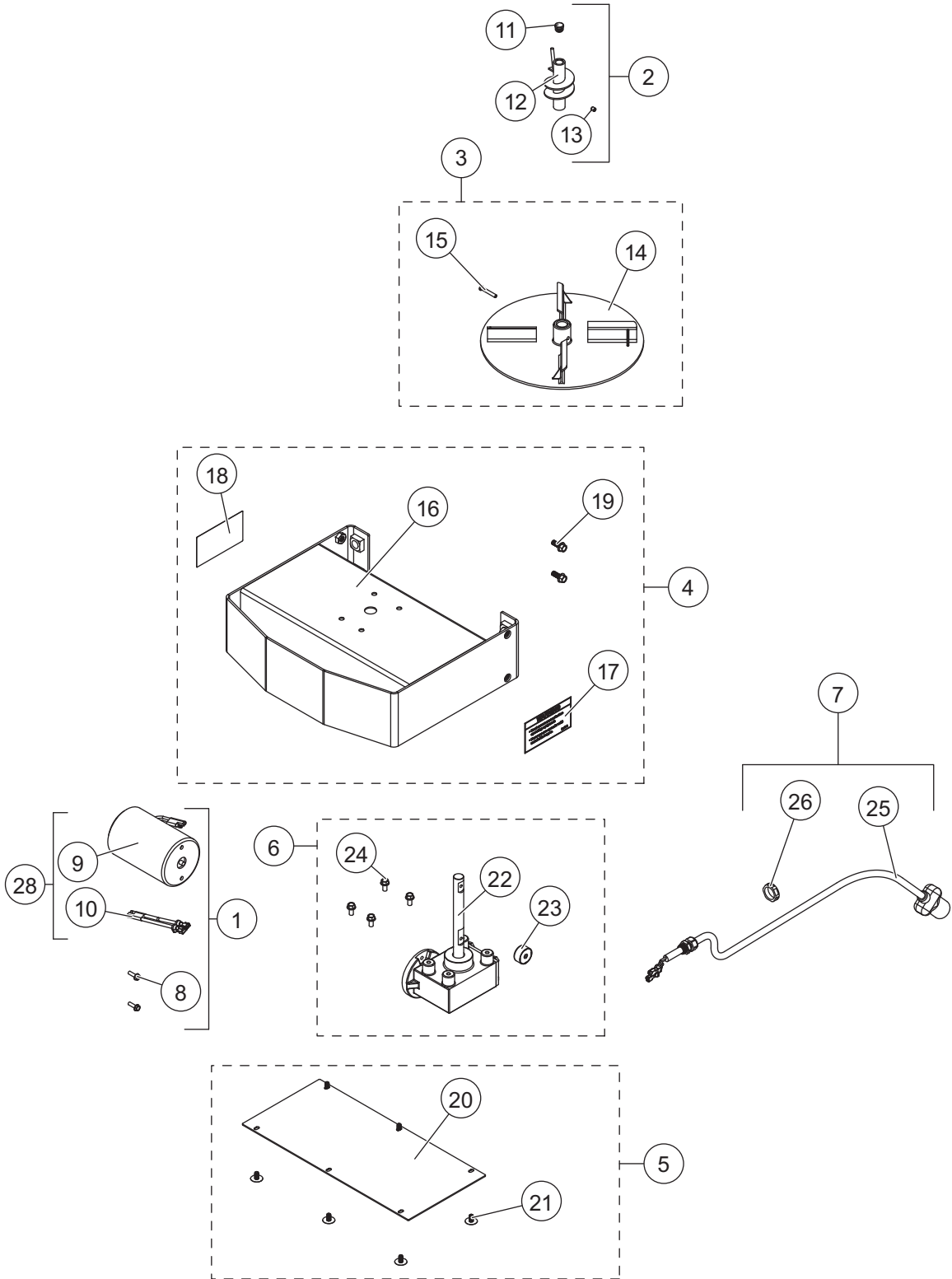


SP-575X TAILGATE SPREADER

| Hopper and Frame Assembly | | | | | | | |
|----------------------------------|-------------|------------|--|------------------------------------|-------------|------------|--------------------------------|
| Item | Part | Qty | Description | Item | Part | Qty | Description |
| 1 | 75636 | 1 | Top Screen, SP-575X | 6 | 75614 | 1 | Hopper Hardware Kit |
| 2 | 75646 | 1 | Deflector | 7 | 75632 | 1 | Frame Kit, SP-575X |
| 3 | 75630 | 1 | Lid Kit, SP-575X | 8 | 75639 | 1 | CE Shroud Kit |
| 4 | 75612 | 1 | Hopper Strap Kit | 9 | 75633 | 1 | Receiver Kit, SP-575X |
| 5 | 75631 | 1 | Hopper Kit, SP-575X | | | | |
| Item 3 | | | | 75630 Lid Kit, SP-575X | | | |
| 10 | | 1 | Hopper Lid, SP-575X | 12 | | 4 | 10 x 3/4 Slotted Cap Screw |
| 11 | | 2 | Flexible Draw Latch | | | | |
| Item 4 | | | | 75612 Hopper Strap Kit | | | |
| 11 | D6105 | 2 | Flexible Draw Latch | 13 | D6198 | 2 | Latch Keeper |
| 12 | | 6 | 10 x 3/4 Slotted Cap Screw | | | | |
| Item 5 | | | | 75631 Hopper Kit, SP-575X | | | |
| 14 | | 1 | Hopper, SP-575X | 13 | | 2 | Latch Keeper |
| 15 | | 1 | Throat Liner, Stainless Steel | 12 | | 2 | 10 x 3/4 Slotted Cap Screw |
| Item 6 | | | | 75614 Hopper Hardware Kit | | | |
| 16 | | 2 | 3/8 Flat Washer | 18 | | 2 | 5/16-18 x 1-1/4 Hex Cap Screw |
| 17 | | 2 | 5/16-18 Hex Locknut GB | | | | |
| Item 7 | | | | 75632 Frame Kit, SP-575X | | | |
| 19 | | 1 | Main Frame, SP-575X | 20 | D6186 | 1 | Label, Die Cut – Mini Pro 575 |
| Item 8 | | | | 75639 CE Shroud Kit | | | |
| 21 | | 1 | CE Shroud Tailgate | 24 | | 1 | Mount Bracket, Shroud |
| 22 | | 3 | 11mm X 28mm X 22mm Retainer | 25 | | 2 | 3/8-16 Serrated Flange Nut |
| 23 | | 1 | Throat Clamp | | | | |
| Item 9 | | | | 75633 Receiver Kit, SP-575X | | | |
| 26 | | 1 | Mount, Receiver | 28 | | 4 | 1/2-13 x 1-1/2 Serrated Flange |
| 27 | 75620 | 1 | 5/8 x 5-1/2 Hitch Pin w/Hairpin Cotter | | | | |
| ns = not shown | | | | G = Grade | | | |

SP-575X TAILGATE SPREADER

DRIVE ASSEMBLY

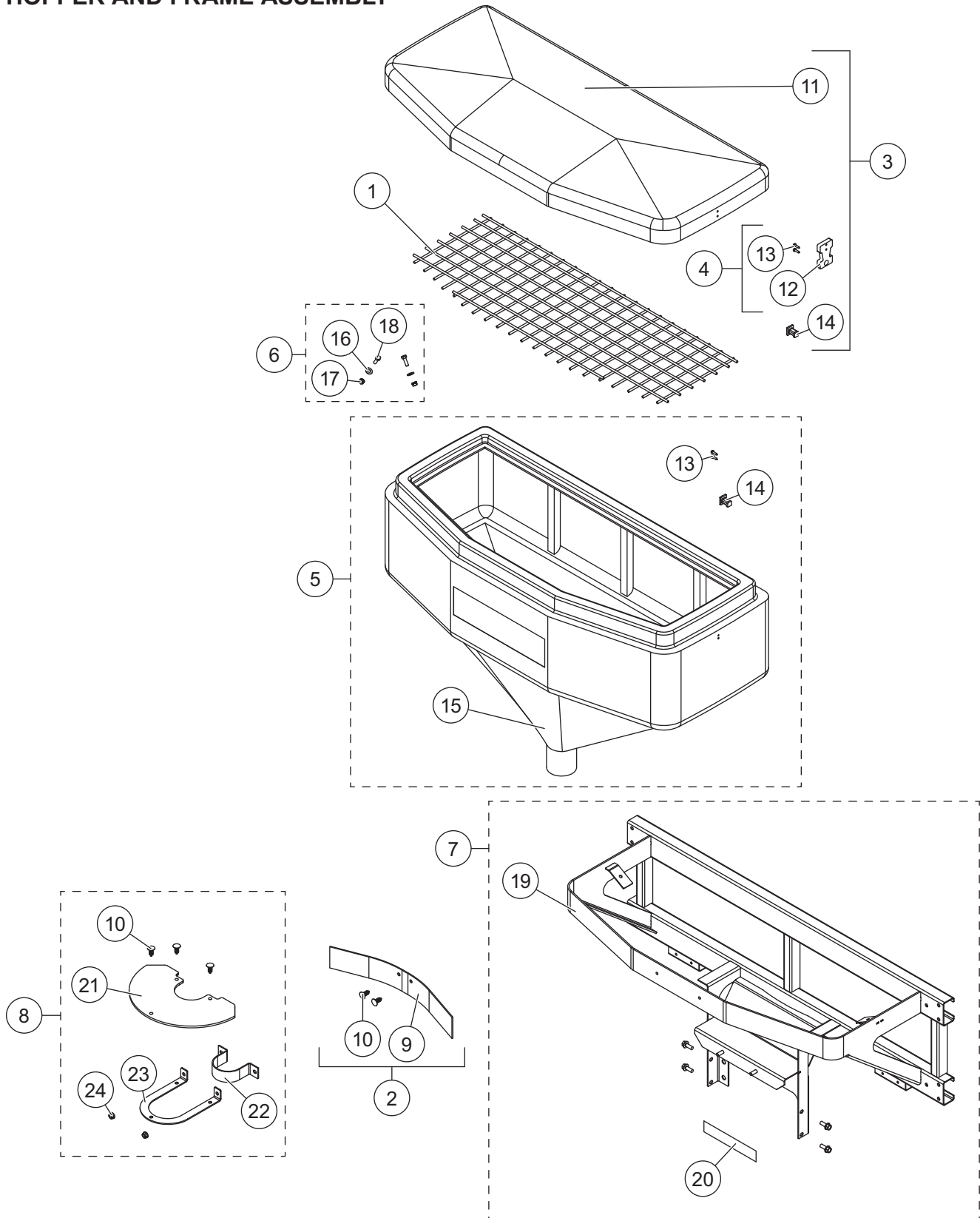


SP-575X TAILGATE SPREADER

| 75698 Drive Assembly | | | | | | | |
|-----------------------------|-------------|------------|------------------------------------|---|-------------|------------|--------------------------------------|
| Item | Part | Qty | Description | Item | Part | Qty | Description |
| 1 | 75626 | 1 | Motor Kit | 5 | 75640 | 1 | Transmission Kit |
| 2 | 75615 | 1 | Auger Kit | 6 | 75618 | 1 | Spinner Kit |
| 3 | 75635 | 1 | Transmission Enclosure Kit | 7 | 75627 | 1 | Power Cable Kit |
| 4 | 75641 | 1 | Transmission Enclosure Cover Kit | | | | |
| Item 1 | | | | 75626 Motor Kit | | | |
| 8 | | 2 | 10-32 x 5/8 Hex Cap Screw Serrated | 10 | D6652 | 1 | Motor Connector Adapter |
| 9 | D6214 | 1 | 3 x 3.8 12 V DC Motor | | | | |
| Item 28 | | | | D6106 3 x 3.8 12V DC Motor w/2-Pin Connector | | | |
| 9 | D6214 | 1 | 3 x 3.8 12 V DC Motor | 10 | D6652 | 1 | Motor Connector Adapter |
| Item 2 | | | | 75615 Auger Kit | | | |
| 11 | D6191 | 1 | Auger Cap | 13 | | 1 | 5/16-18 x 3/8 Set Screw |
| 12 | D6075 | 1 | Auger | | | | |
| Item 3 | | | | 75618 Spinner Kit | | | |
| 14 | D6750 | 1 | Spinner, Poly | 15 | D6746 | 1 | 3/16 x 1-1/4 Clevis Pin |
| Item 4 | | | | 75635 Transmission Enclosure Kit | | | |
| 16 | | 1 | Enclosure, Spinner Drive | 18 | 75623 | 1 | Label, Warning – Read Manual |
| 17 | 75621 | 1 | Label, Warning – Hands & Feet | 19 | | 4 | 3/8-16 x 1 Hex Cap Screw Serrated |
| Item 5 | | | | 75641 Transmission Enclosure Cover Kit | | | |
| 20 | | 1 | Spinner Drive Enclosure Cover | 21 | | 6 | 1/4 x 3/4 x 1/2 Retainer Black Nylon |
| Item 6 | | | | 75640 Transmission Kit | | | |
| 22 | D6107 | 1 | Transmission 8:1 | 24 | | 4 | 1/4-20 x 1/2 Serrated Flange SS |
| 23 | D6232 | 1 | Motor Drive Coupler | | | | |
| Item 7 | | | | 75627 Power Cable Kit | | | |
| 25 | D6162 | 1 | 26-1/2 Power Cable | 26 | | 1 | 1/2" NPT Nut Black Nylon |
| ns = not shown | | | | G = Grade | | | |

SP-1075X TAILGATE SPREADER

HOPPER AND FRAME ASSEMBLY

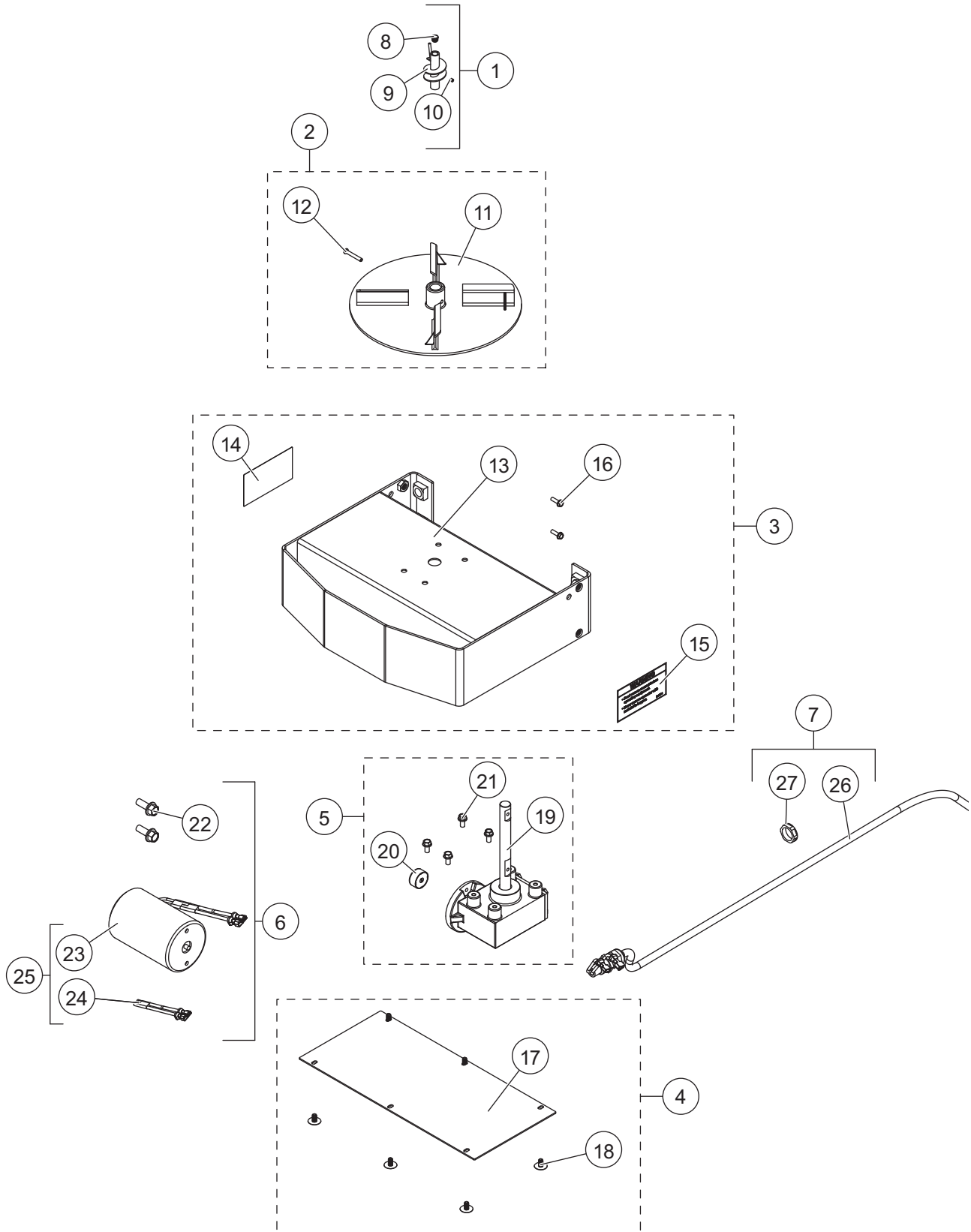


SP-1075X TAILGATE SPREADER

| Hopper and Frame Assembly | | | | | | | |
|----------------------------------|-------------|------------|-----------------------------|-----------------------------------|-------------|------------|----------------------------------|
| Item | Part | Qty | Description | Item | Part | Qty | Description |
| 1 | 75642 | 1 | Top Screen, SP-1075X | 5 | 75643 | 1 | Hopper Kit, SP-1075X |
| 2 | 75646 | 1 | Deflector Kit | 6 | 75614 | 1 | Hopper Hardware Kit |
| 3 | 75645 | 1 | Lid Kit, SP-1075X | 7 | 75644 | 1 | Frame Kit, SP-1075X |
| 4 | 75612 | 1 | Hopper Strap Kit | 8 | 75639 | 1 | CE Shroud Kit |
| Item 2 | | | | 75646 Deflector Kit | | | |
| 9 | D6110 | 1 | 3 x 20 Plastic Deflector | 10 | | 2 | 11mm X 28mm X 22mm Retainer |
| Item 3 | | | | 75645 Lid Kit, SP-1075X | | | |
| 11 | | 1 | Hopper Lid, SP-1075X | 13 | | 4 | 10 x 3/4 Slotted Cap Screw |
| 12 | | 2 | Flexible Draw Latch | | | | |
| Item 4 | | | | 75612 Hopper Strap Kit | | | |
| 12 | D6105 | 2 | Flexible Draw Latch | 14 | D6198 | 2 | Latch Keeper |
| 13 | | 6 | 10 x 3/4 Slotted Cap Screw | | | | |
| Item 5 | | | | 75643 Hopper Kit, SP-1075X | | | |
| 15 | | 1 | Hopper, SP-1075X | 13 | | 2 | 10 x 3/4 Slotted Cap Screw |
| 14 | | 2 | Latch Keeper | | | | |
| Item 6 | | | | 75614 Hopper Hardware Kit | | | |
| 16 | | 2 | 3/8 Flat Washer | 18 | | 2 | 5/16-18 x 1-1/4 Hex Cap Screw |
| 17 | | 2 | 5/16-18 Hex Locknut GB | | | | |
| Item 7 | | | | 75644 Frame Kit, SP-1075X | | | |
| 19 | | 1 | Main Frame, SP-1075X | 20 | D6187 | 1 | Label, Die Cut – Pivot Pro 1075X |
| Item 8 | | | | 75639 CE Shroud Kit | | | |
| 21 | | 1 | CE Shroud Tailgate | 23 | | 1 | Mount Bracket, Shroud |
| 10 | | 5 | 11mm X 28mm X 22mm Retainer | 24 | | 2 | 3/8-16 Serrated Flange Nut |
| 22 | | 1 | Throat Clamp | | | | |
| ns = not shown | | | | G = Grade | | | |

SP-1075X TAILGATE SPREADER

DRIVE ASSEMBLY

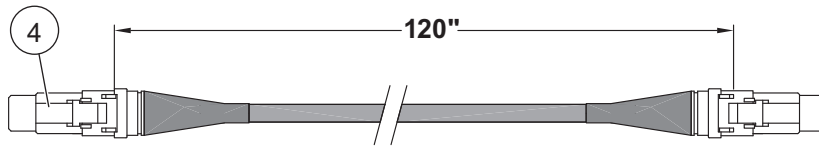
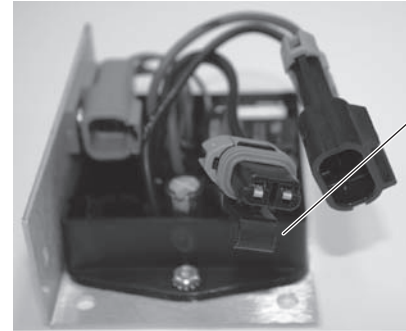
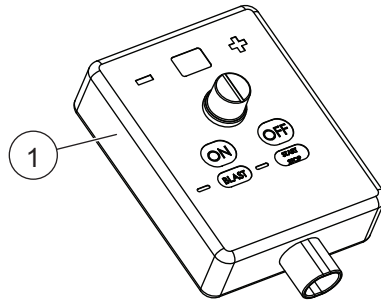


SP-1075X TAILGATE SPREADER

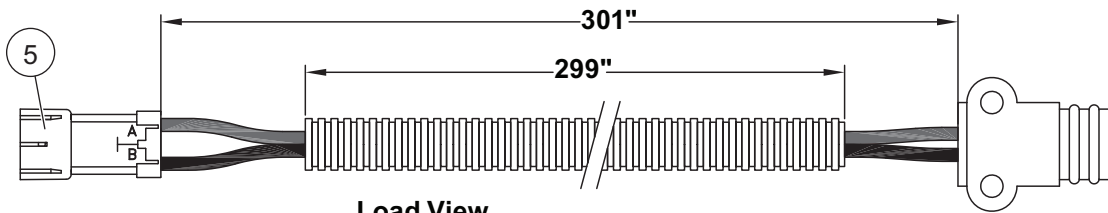
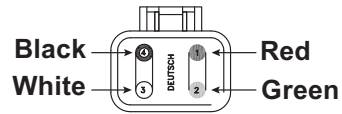
| 75699 Drive Assembly | | | | | | | |
|-----------------------------|-------------|------------|------------------------------------|---|-------------|------------|--------------------------------------|
| Item | Part | Qty | Description | Item | Part | Qty | Description |
| 1 | 75615 | 1 | Auger Kit | 5 | 75640 | 1 | Transmission Kit |
| 2 | 75618 | 1 | Spinner Kit | 6 | 75626 | 1 | Motor Kit |
| 3 | 75635 | 1 | Transmission Enclosure Kit | 7 | 75647 | 1 | Power Cable Kit, SP-1075X |
| 4 | 75641 | 1 | Transmission Enclosure Cover Kit | | | | |
| Item 1 | | | | 75615 Auger Kit | | | |
| 8 | D6191 | 1 | Auger Cap | 10 | | 1 | 5/16-18 x 3/8 Set Screw |
| 9 | D6075 | 1 | Auger | | | | |
| Item 2 | | | | 75618 Spinner Kit | | | |
| 11 | D6750 | 1 | Spinner, Poly | 12 | D6746 | 1 | 3/16 x 1-1/4 Clevis Pin |
| Item 3 | | | | 75635 Transmission Enclosure Kit | | | |
| 13 | | 1 | Enclosure, Spinner Drive | 15 | 75623 | 1 | Label, Warning – Read Manual |
| 14 | 75621 | 1 | Label, Warning – Hands & Feet | 16 | | 4 | 3/8-16 x 1 Hex Cap Screw Serrated |
| Item 4 | | | | 75641 Transmission Enclosure Cover Kit | | | |
| 17 | | 1 | Spinner Drive Enclosure Cover | 18 | | 6 | 1/4 x 3/4 x 1/2 Retainer Black Nylon |
| Item 5 | | | | 75640 Transmission Kit | | | |
| 19 | D6107 | 1 | Transmission 8:1 | 21 | | 4 | 1/4-20 x 1/2 Serrated Flange SS |
| 20 | D6232 | 1 | Motor Drive Coupler | | | | |
| Item 6 | | | | 75626 Motor Kit | | | |
| 22 | | 2 | 10-32 x 5/8 Hex Cap Screw Serrated | 24 | D6652 | 1 | Motor Connector Adapter |
| 23 | D6214 | 1 | 3 x 3.8 12 V DC Motor | | | | |
| Item 25 | | | | D6106 3 x 3.8 12V DC Motor w/2-Pin Connector | | | |
| 23 | D6214 | 1 | 3 x 3.8 12 V DC Motor | 24 | D6652 | 1 | Motor Connector Adapter |
| Item 7 | | | | 75647 Power Cable Kit, SP-1075X | | | |
| 26 | D6115 | 1 | 44-3/4 Power Cable, SP-1075X | 27 | D6781 | 1 | 1/2 NPT Black Nylon Nut |
| ns = not shown | | | | G = Grade | | | |

SP-575X/1075X TAILGATE SPREADER

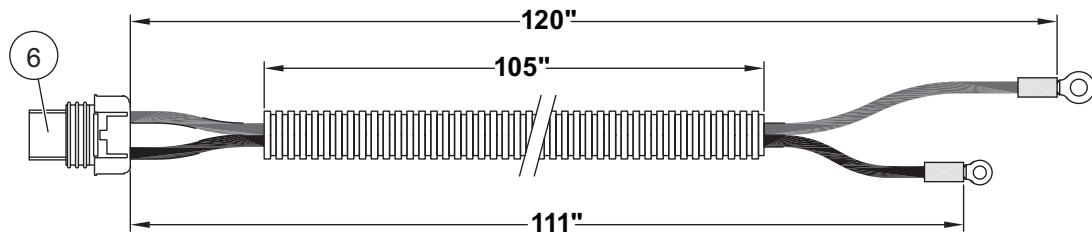
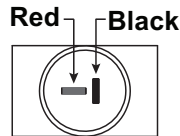
ELECTRICAL COMPONENTS



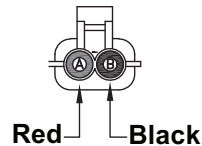
Load View



Load View



Load View



SP-575X/1075X TAILGATE SPREADER

| Electrical Components | | | | | | | |
|-----------------------|--------|-----|-----------------|--------------------------|--------|-----|-----------------|
| Item | Part | Qty | Description | Item | Part | Qty | Description |
| 1 | F50607 | 1 | Control Pendant | 3 | F50869 | 1 | Harness Kit |
| 2 | F50576 | 1 | Control Module | | | | |
| Item 3 | | | | 50869 Harness Kit | | | |
| 4 | F50578 | 1 | Data Cable | 6 | F50580 | 1 | Battery Harness |
| 5 | F50579 | 1 | Vehicle Harness | | | | |



TrynEx International
531 Ajax Drive
Madison Heights, MI 48071-2429
www.snowexproducts.com

 A DIVISION OF DOUGLAS DYNAMICS, LLC

Copyright © 2015 Douglas Dynamics, LLC. All rights reserved. This material may not be reproduced or copied, in whole or in part, in any printed, mechanical, electronic, film or other distribution and storage media, without the written consent of TrynEx International. Authorization to photocopy items for internal or personal use by TrynEx International outlets or spreader owner is granted.

TrynEx International reserves the right under its product improvement policy to change construction or design details and furnish equipment when so altered without reference to illustrations or specifications used. TrynEx International or the vehicle manufacturer may require or recommend optional equipment for spreaders. Do not exceed vehicle ratings with a spreader. TrynEx International offers a limited warranty for all spreaders and accessories. See separately printed page for this important information. The following are registered (®) or unregistered (™) trademarks of Douglas Dynamics, LLC: SnowEx®, TrynEx®.

Printed in U.S.A.