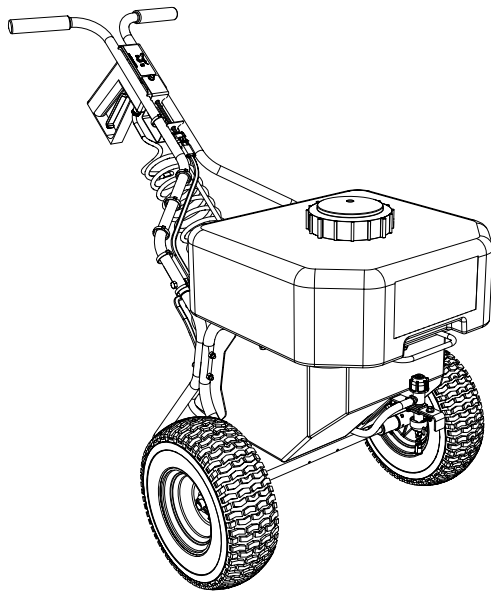


# Owner / Operator's Manual

This Manual Must Be Read Before Operating The Equipment

# SNOWEX<sup>®</sup>

LEADERS IN ICE CONTROL



## SL-80

Serial # PB-200036 and higher

## SL-80SS

Serial # PC-200048 and higher

**TRYNEX**<sup>®</sup>  
INTERNATIONAL

**CUSTOMER COPY**

Madison Heights, Michigan 48071  
800-725-8377  
[www.turfexproducts.com](http://www.turfexproducts.com)

© TrynEx International 2013  
(REV B) F50775

# Table of Contents



General Information .....	3
Introduction .....	4
Safety .....	5
Operational Safety Information .....	6-8
Sprayer Operation .....	9-10
Electrical Schematic .....	10
Troubleshooting .....	11
Maintenance.....	11
Warranty .....	12
Key to Parts .....	13
Handle Assembly Parts Breakdown	
Model # SL-80 .....	14-15
Model # SL-80SS .....	16-17
Tank Assembly Parts Breakdown	
Model # SL-80 .....	18-19
Model # SL-80SS .....	20-21
Pump Assembly Parts Breakdown	
Model # SL-80 .....	22-23
Model # SL-80SS .....	24-25
Notes .....	26-27

**Have a question or need assistance?**

**SnowEx Customer Care**

**(800) 725-8377**

**or (248) 586-3500**

**Monday through Friday 8:00 AM to 4:30 PM EST**

**Fax: (248) 691-8378**

**E-Mail: [customercare@trynexfactory.com](mailto:customercare@trynexfactory.com)**

**Website: [www.snowexproducts.com](http://www.snowexproducts.com)**



# General Information



## CONGRATULATIONS!

The sprayer you have purchased is an example of snow and ice control technology at its finest! Your spreader's self-contained design is a trademark of all SnowEx products. Here's why...

**SIMPLICITY:** Fewer moving parts manufactured of higher quality means minimal maintenance for your SnowEx spreader.

**RELIABILITY:** High impact linear low density polyethylene hopper. Custom-engineered powder-coated frame. Found only on SnowEx Products.

**VERSATILITY:** Multi-use capability allows spreading of a variety of materials for snow and ice control.

**WARRANTY:** Best in the industry, hands down! 2 years standard and now 5 year extended (optional).

The benefits you are about to recognize are that of time, money and effort. We welcome you to the world of SnowEx Performance.

## Registration

Record the following information in this manual for quick reference.

Spreader Model Number \_\_\_\_\_

Spreader Serial Number \_\_\_\_\_

Date of Purchase \_\_\_\_\_

Dealer Where Purchased \_\_\_\_\_

When ordering Parts, the above information is necessary. This will help to see that you receive the correct parts.

At the right is a diagram of the ID tag. This tag on the spreader is located on the frame.

Please fill out the warranty card with all the necessary information to validate it. This will also give us a record so that any safety or service information can be communicated to you.



This manual has been designed for your help. It will assist you and instruct you on the proper set-up, installation and use of this spreader.

Refer to the table of contents for an outline of this manual.

We require that you read and understand the contents of this manual completely (especially all safety information) before attempting any procedure contained herein.



**THIS SIGN SHOULD ALERT YOU:**

The Society of Automotive Engineers has adopted this **SAFETY ALERT SYMBOL** to pinpoint characteristics that, if **NOT** carefully followed, can create a safety hazard. When you see this symbol in this manual or on the machine itself, **BE ALERT!** Your personal safety and the safety of others is involved.

Defined below are the **SAFETY ALERT** messages and how they will appear in this manual:



**DANGER**

(RED)

Information that, if not carefully followed, can cause death!



**WARNING**

(ORANGE)

Information that, if not carefully followed, can cause serious personal injury or death!



**CAUTION**

(YELLOW)

Information that, if not carefully followed, can cause minor injury or damage to equipment



Before attempting any procedure in this book, these safety instructions must be read and understood by all workers who have any part in the preparation or use of this equipment.

For your safety warning and information decals have been placed on this product to remind the operator of safety precautions . If anything happens to mark or destroy the decals, please request new ones from SnowEx.



Remember, most accidents are preventable and caused by human error. Exercising of care and precautions must be observed to prevent the possibility of injury to operator or others!

Never operate equipment when under the influence of alcohol, drugs, or medications that might alter your judgment and/or reaction time.

Before working with the spreader, secure all loose fitting clothing and unrestrained hair.

Always wear safety glasses with side shields when servicing spreader. Failure to do this could result in serious injury to the eyes.

Never attempt to lift a unit with liquid in it.

Never allow children to operate or climb on equipment.

Always check areas to be spread to be sure no hazardous conditions or substances are in the area.  
Always inspect unit for defects: broken, worn or bent parts, weakened areas on spreader.

Remember it is the owner's responsibility to communicate information on safe usage and proper maintenance of all equipment.

Always make sure personnel are clear of areas of danger when using equipment.

Never weld or grind on equipment without having a fire extinguisher available.

## Summary of Important Safety Information

### Chemical accident procedures

Immediate response is necessary in the event of sprayer leaks, bodily chemical contact, poisoning, or spills. See instructions below:

Sprayer Leak	If the sprayer develops a leak, immediately stop spraying. Turn off power to the sprayer and follow directions below, as applicable.
Bodily chemical contact	<p>Personal contamination can occur when chemicals splash, spill, or spray directly onto a person.</p> <ol style="list-style-type: none"> <li>1. Immediately follow First Aid instructions on chemical label.           <p><u>General procedures can include:</u></p> <ol style="list-style-type: none"> <li>a) Eyes – immediately flush with water.</li> <li>b) Skin – wash all contaminated skin surfaces with soap and water.</li> <li>c) Clothing – remove contaminated clothing. Dispose of heavily contaminated clothing per chemical label instructions.</li> </ol> </li> <li>2. Seek medical advice if instructed on the label or the victim experiences symptoms of harmful effects. Bring the chemical label for reference.</li> </ol>
Poisoning by ingestion or inhalation	<p>In case of poisoning from ingestion or inhalation</p> <p>If the victim has collapsed or is not breathing, <u>call 911</u>. Otherwise:</p> <ol style="list-style-type: none"> <li>1. If you are the victim, immediately seek assistance from nearby personnel, because you may become incapacitated.</li> <li>2. Immediately follow first aid instructions on chemical label.</li> <li>3. Call a poison control center for further advice. In the U.S., call 1-800-222-1222. Have the chemical label available for reference.</li> </ol>
Chemical spills	<p>Chemical spills must quickly be contained and properly cleaned up.</p> <p>Refer to the chemical label for any specific clean-up instructions.</p> <p>General procedures include:</p> <ol style="list-style-type: none"> <li>1. Controlling the spill by stopping the source of the spill.</li> <li>2. Containing the spill so that it does not spread and get into water sources.</li> <li>3. Cleaning up the spill immediately.</li> <li>4. Seeking additional advice from:           <ul style="list-style-type: none"> <li>- <u>Chemical manufacturer</u>. See chemical label for contact information.</li> <li>- <u>State pesticide regulatory agency</u>. In the U.S., call the National Pesticide Info. Ctr. at 800-858-7378 for assistance in contacting your state's agency.</li> </ul> </li> </ol>

## Summary of Important Safety Information

Listed below is a summary of safety information of particular importance.  
See individual sections of this owner's manual for more details.

### **DURING ASSEMBLY**

Check and test completed assembly as directed in this manual. Serious injury could result from chemical leaks if sprayer is improperly assembled.

### **DO NOT MODIFY SPRAYER DESIGN**

### **DURING OPERATION**

- Read and follow each chemical label's instructions and warnings.
- Avoid inhaling, ingesting, or coming into contact with any chemicals.
- Know applicable licensing and regulatory requirements for the chemical you plan to use.
- Know emergency procedures before handling chemicals. Carefully review "Chemical Accident Procedures" listed below and later in this manual. Also see First Aid instructions on the chemical label.
- Wear protective clothing, eye protection, and chemical resistant gloves when filling, using and cleaning the sprayer. Wear additional protective gear, such as facemask or apron, as recommended on the chemical label.
- Exercise extra caution around children and pets. Keep sprayer and spray materials away from them at all times.
- Do not mix or pour chemicals in an enclosed, unventilated area.
- Do not use flammable or corrosive chemicals in the sprayer.
- Flush the sprayer before switching chemicals in order to prevent dangerous chemical interactions.

### **BEFORE SPRAYING**

- Inspect and prepare sprayer before each use as directed in this manual.
- Do not start sprayer until ready to spray in order to avoid unintentional spray release.
- Wear additional personal protective equipment if you will be spraying overhead.  
You will be exposed to much more chemical fallout in these applications. Wear chemical resistant head and neck protection, full face mask or half-face mask with sealed goggles, and consider using a respirator.
- Do not spray when wind speed exceeds four miles per hour in order to minimize spray drift.
- Keep sprayer and spray materials away from children and pets.
- Do not allow anyone younger than 16 to operate sprayer.

## Summary of Important Safety Information

### DURING SPRAYING

- Do not over-apply. Apply at rate recommended by chemical manufacturer.
- Do not eat, drink, smoke, rub your eyes or touch your bare skin while handling chemicals and spraying.
- Never point the spray gun at people or animals.
- Do not spray near open flames or sources of heat.
- Always hold the spray gun firmly when using it to spray at higher pressures in order to prevent gun from whipping. Keep good footing and balance at all times.
- Exercise extra caution when spraying near areas accessible to children and pets.
- Clean up spills immediately per instructions on the chemical label.
- Turn off sprayer, and relieve system pressure before leaving sprayer unattended.
- See the Troubleshooting section of this manual before attempting any repairs. Wear personal protective equipment and follow safety instructions.

### AFTER SPRAYING

- Clean sprayer immediately after use according to the directions provided in this manual.
- Decontaminate yourself after you are done spraying and have cleaned the sprayer. Wash all exposed areas of the body with soap and water, and remove and launder clothing.
- Dispose or store remaining chemicals in secure storage with correctly marked container.

### TRANSPORTING SAFETY

- Read safety instructions in your vehicle manual with regard to carrying heavy cargo loads.
- Do not allow drivers younger than 16 to drive the vehicle with the sprayer attached.
- Make sure sprayer is securely attached to vehicle.
- Exercise caution in vehicle handling when driving with sprayer to avoid loss of control or rollover.
  - Keep speed to a minimum so you can maintain control. Reduce speed prior to turns.
  - Allow for more distance to stop.
  - Avoid any sudden steering maneuvers, starts, or stops that could create liquid sloshing in the sprayer and instability.
- Slow down and exercise caution on sloped or uneven terrain.
- Be aware that visibility may be reduced when making turns or backing up.
- Turn off sprayer before leaving unattended.
- Do not attempt to lift with liquid in sprayer



## Sprayer Operation

Model # SL-80/SL-80SS

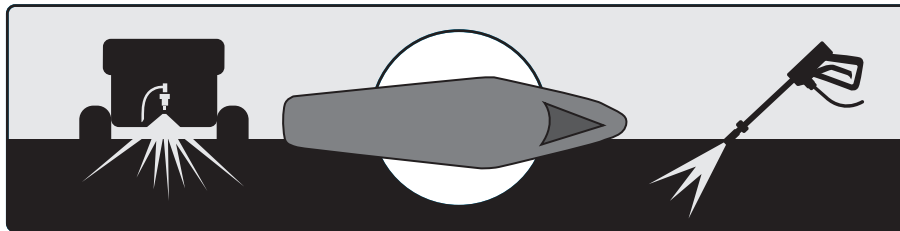
1) Fill sprayer with material through top hole.

Caution: Always use gloves and safety goggles when filling sprayer.

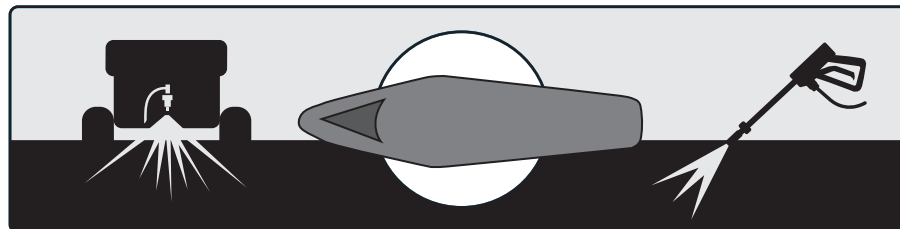
	<p><b>CAUTION</b></p> <ul style="list-style-type: none"> <li>• WEAR SAFETY GOGGLES WHEN OPERATING EQUIPMENT.</li> <li>• WEAR SAFETY GOGGLES WHEN FILLING EQUIPMENT.</li> <li>• DO NOT EAT, DRINK, SMOKE, RUB YOUR EYES OR TOUCH BARE SKIN WHILE HANDLING CHEMICALS OR SPRAYING.</li> <li>• NEVER POINT SPRAY GUN AT PEOPLE OR ANIMALS.</li> </ul> <p style="text-align: right;">T20317</p>
---	--

2) Place valve in position for desired use.

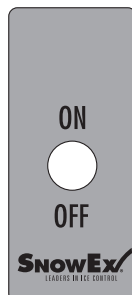
3) If using spray wand never point at objects (ie: humans, vehicles etc.)



4) If using spray nozzle keep away from objects (ie: humans, vehicles etc.) at least 10 feet.



5) When not moving or spraying place switch in off position.

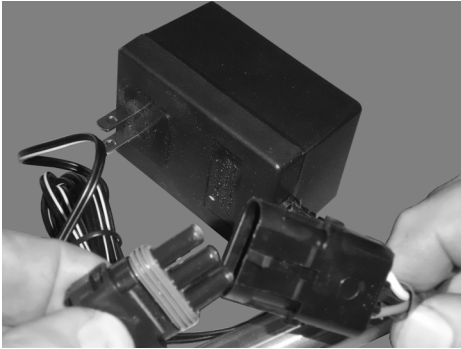


# Sprayer Operation & Electrical Schematic

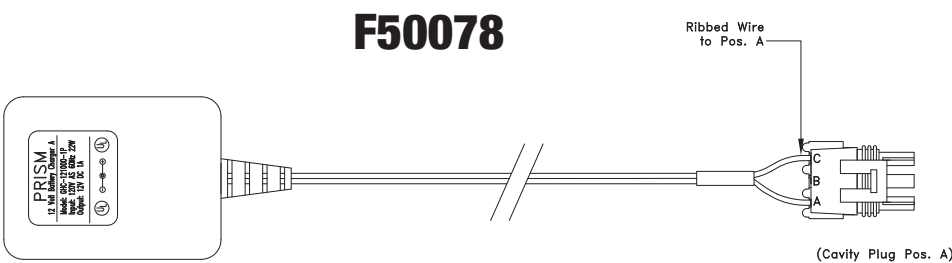
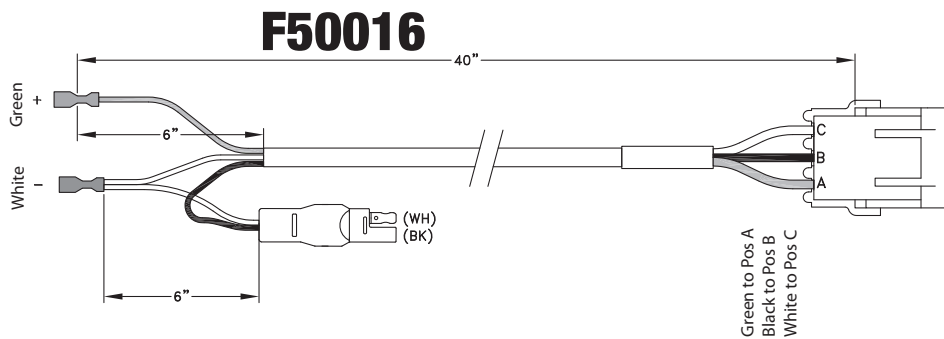
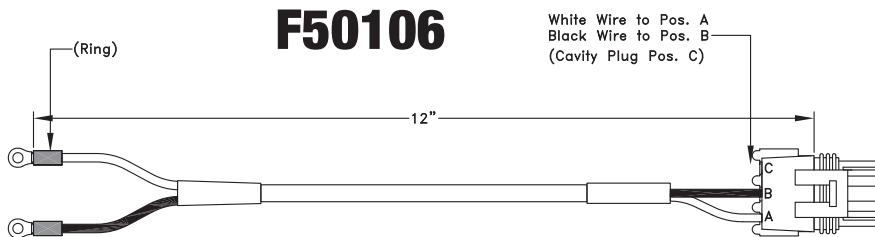
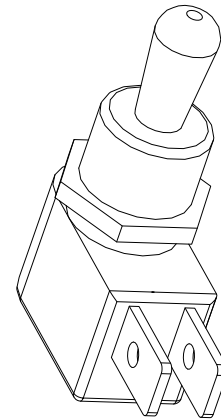


Model # SL-80/SL-80SS

1) Charge battery after each use. Disconnect harness and connect to battery charger as shown below. Then plug charger into 110v outlet.



F50107



## Troubleshooting & Maintenance

Model # SL-80/SL-80SS

Whenever service is necessary, your local SnowEx Dealer knows your Sprayer best. Take your Sprayer to your local dealer for any maintenance or service needs on your unit. If this is not possible, the Troubleshooting Guide below may assist you in identifying the problem.

Warning: First read all warning instructions and safety messages before servicing your Sprayer.

### Preliminary Checks

- Be sure all electrical connections are tight and clean.
- Be sure nothing is obstructing the nozzles.

PROBLEM	POSSIBLE CAUSE	SOLUTION
Pump doesn't run.	Loose electrical connections.	Check all connections.
	Pump Seized.	Replace pump.
	Electrical short.	Check for bare wires.
Liquid not spraying.	Empty tank.	Fill tank.
	Pump not running.	Refer to Problem 1
	Obstructed nozzle.	Remove and clean.

## Maintenance:

- 1) Grease Axle zerks after every 20 hours of use.
- 2) When putting into storage for season drain tank and hose lines and flush pump.

## Limited Warranty

Snowex products are warranted for a period of two years from the date of purchase against defects in material or workmanship under normal use and service, subject to limitations detailed below. Warranty period of two years begins on the date of purchase by the original retail user.

The WARRANTY REGISTRATION CARD must be returned to the manufacturer for this warranty to become effective. This warranty applies to the original retail purchaser only. This warranty does not cover damages caused by improper installation, misuse, lack of proper maintenance, alterations or repairs made by anyone other than authorized Snowex dealers or Snowex personnel. Due to the corrosive properties of the materials dispensed by spreaders, Trynex does not warrant against damage caused by corrosion. Warranty claims by the user must be made to the dealer from where the product was purchased, unless otherwise authorized by Snowex. Snowex reserves the right to determine if any part is defective and to repair or replace such parts as it elects. This warranty does not cover shipping costs of defective parts to or from the dealer.

### LIMITATION OF LIABILITY

Neither Snowex, nor any company affiliated with it, makes any warranties, representations for promise as to the performance or quality other than what is herein contained. The liability of Snowex to the purchaser for damages arising out of the manufacture, sale, delivery, use or resale of this spreader shall be limited to and shall not exceed the costs of repair or replacement of defective parts. Snowex shall not be liable for loss of use, inconvenience or any other incidental, indirect or consequential damages, so the above limitations on incidental or consequential damages may not apply to you.

NO DEALER HAS AUTHORITY TO MAKE ANY REPRESENTATION OR PROMISE ON BEHALF OF SNOWEX, OR TO ALTER OR MODIFY THE TERMS OR LIMITATIONS OF THIS WARRANTY IN ANY WAY.

## Key to Parts

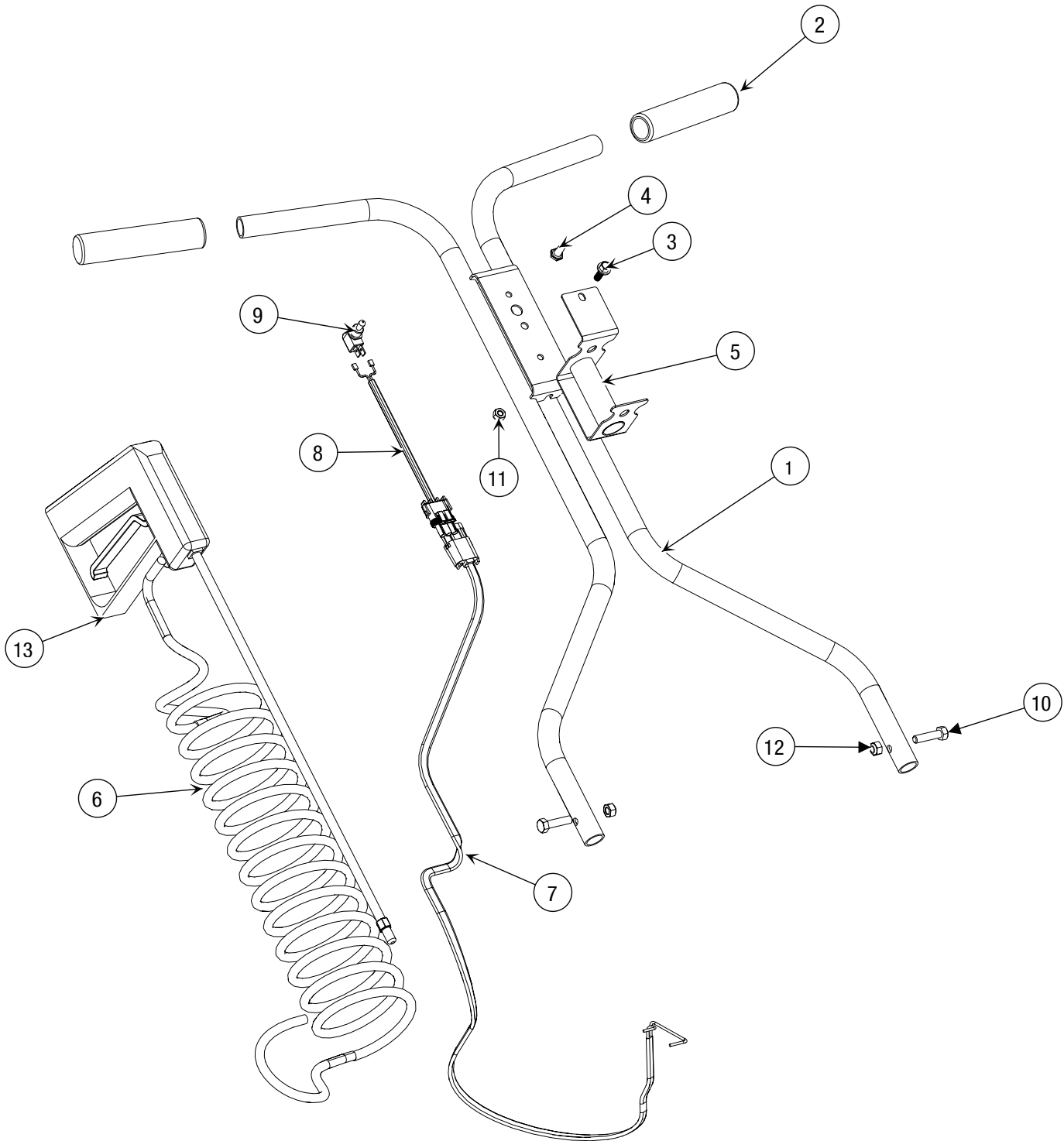


D5377 Hose Barb   1/2" Male Thread X 3/8" 90°	F50011 Panel Mount Valve
D5381 Hose Barb   1/4" Male Thread X 3/8"	F50012 Outside Nozzle Body Bracket
D5384 Decal   Quality Made In The USA	F50013 Hose Barb   1/4" Male Thread X 3/8" 90°
D5387 Decal   Serial Number   SL-80	F50014 Nozzle   Push Sprayer
D5388 Decal   Serial Number   SL-80SS	F50015 Nozzle Body
D5901 Hopper Frame   SL-80	F50016 Harness   Pump
D5904 Wheel 13" X 5"	F50019 Battery Bracket   SL-80SS
D5906 Frame Stand   SL-80	F50020 Wand Bracket   SL-80SS
D5908 Handle   SL-80	F50021 Hose Guide   SL-80SS
D5915 Axle	F50022 Pump Enclosure   SL-80SS
D5917 Handle Grip	F50023 Pump Enclosure Cover   SL-80SS
D5919 Cotter Pin   2" Stainless	F50024 Inside Nozzle Body Bracket   SL-80SS
D5923 Wheel Bushing	F50025 Outside Nozzle Body Bracket   SL-80SS
D5943 Bolt   1/4"-20 X 2-1/4" Hex	F50078 Battery Charger
D5994 Grease Fitting	F50079 Decal   On / Off - SL-80
D6024 Shaft Collar	F50080 Decal   Spray / Wand - SL-80
D6131 Bolt   1/4"-20 X 1/2" Serr. Flange	F50106 Harness   Switch
D6132 Bolt   1/4"-20 X 3/4" Serr. Flange	F50107 Switch
D6172 Bolt   #10-32 X 5/8" Serr. Flange	F50108 Tank Strainer
D6822 Cable Tie   Push Mount	F50109 Rubber Grommet
D6854 Bolt   1/4"-20 X 1" Serr. Flange	F50111 Reducing Bushing   3/8" X 1/4"
D6988 Hose   3/8"	F50112 Bolt   5/16"-18 X 1-1/4" Hex
F50000 Battery Bracket   SL-80	F50145 Hose Clamp   3/8"
F50001 Wand Bracket   SL-80	F50651 Pipe Plug   1/2"
F50002 Battery	F50775 Owner's Manual
F50003 Hose Guide   SL-80	T15016 Nut   1/4"-20 Nylox
F50004 Pump Enclosure   SL-80	T15018 Nut   5/16"-18 Nylox
F50005 Pump	T20307 Spot Spray Wand
F50006 Pump Enclosure Cover   SL-80	T20317 Decal   Caution - Wear Safety Goggles
F50007 Inside Nozzle Body Bracket   SL-80	T30151 Hopper Frame   SL-80SS
F50008 Coil Hose	T30152 Frame Stand   SL-80SS
F50009 Tank	T30153 Handle   SL-80SS

# Handle Assembly Parts Breakdown

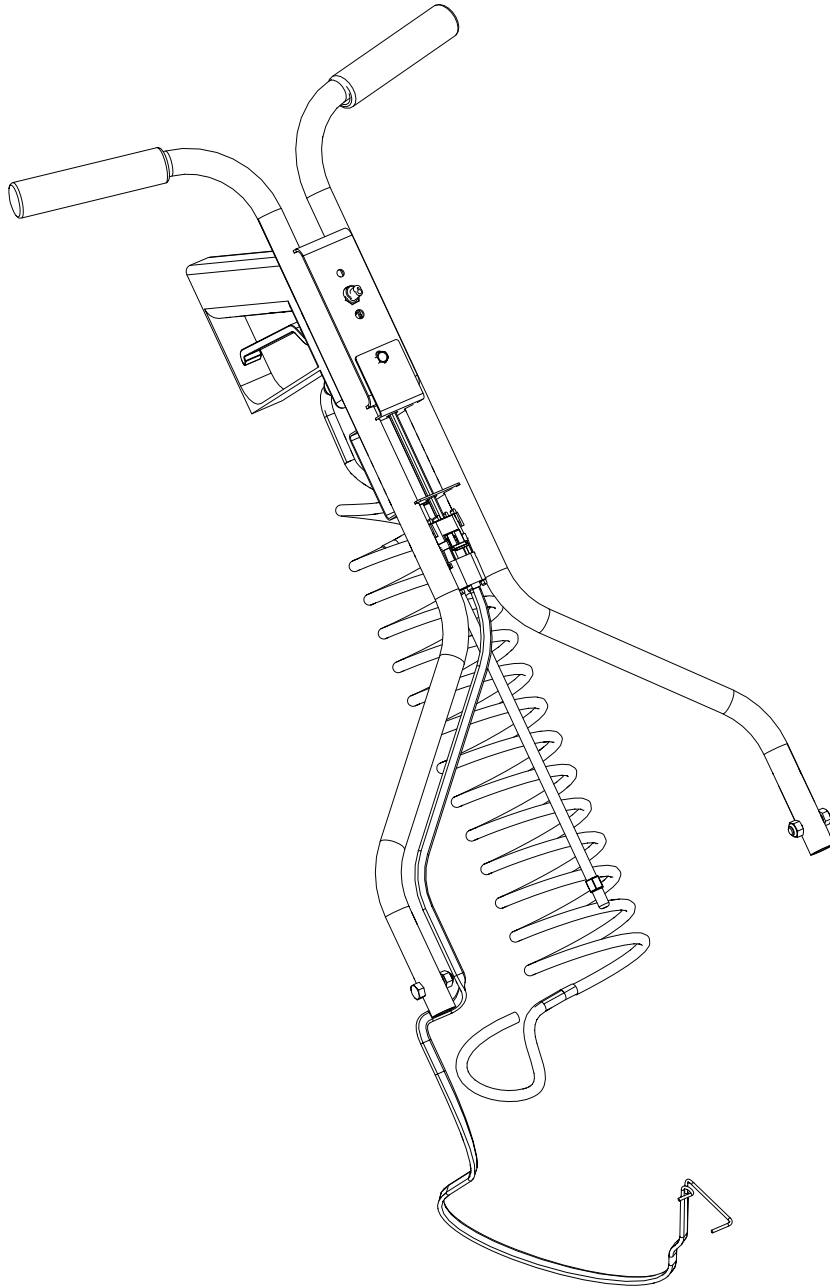


Model # SL-80



# Handle Assembly Parts Breakdown

Model # SL-80



BOM ID	Description	Qty
1	D5908	1
2	D5917	2
3	D6132	1
4	D6406	1

BOM ID	Description	Qty
5	F50001	1
6	F50008	1
7	F50016	1
8	F50106	1

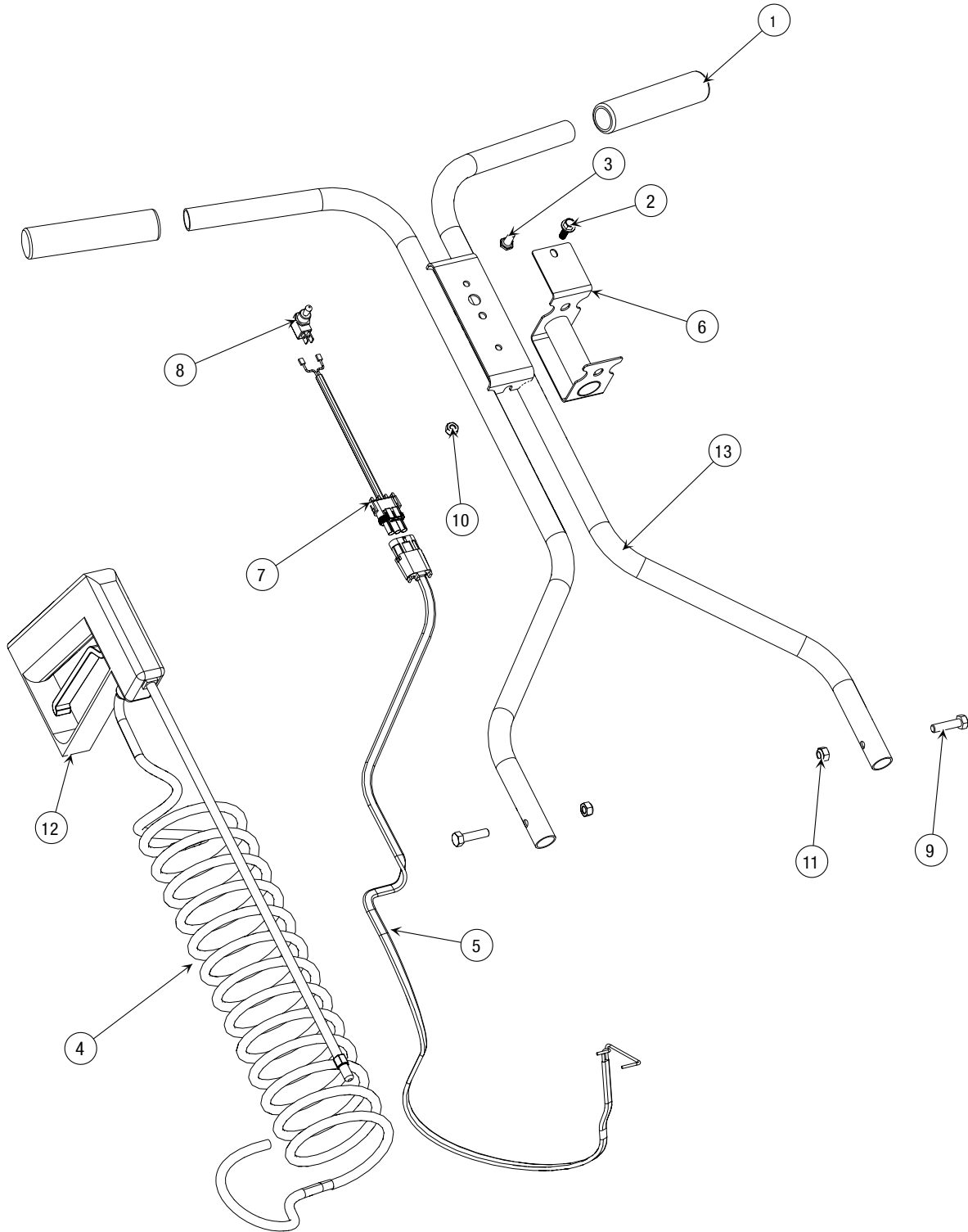
BOM ID	Description	Qty
9	F50107	1
10	F50112	2
11	T15016	1
12	T15018	2

BOM ID	Description	Qty
13	T20307	1

# Handle Assembly Parts Breakdown



Model # SL-80SS

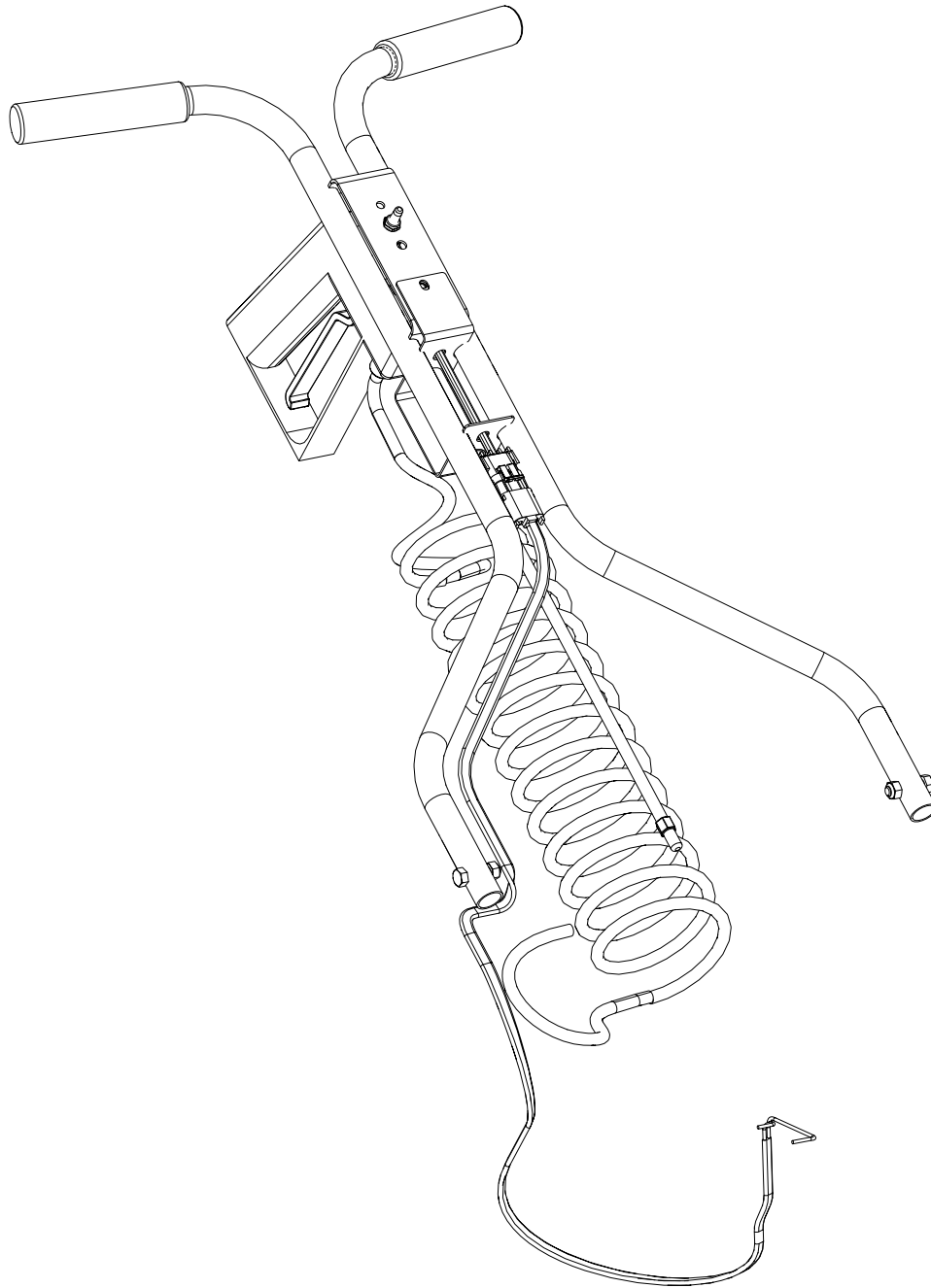




# Handle Assembly Parts Breakdown



Model # SL-80SS



BOM ID	Description	Qty
1	D5917	2
3	D6406	1
4	F50008	1
5	F50016	1

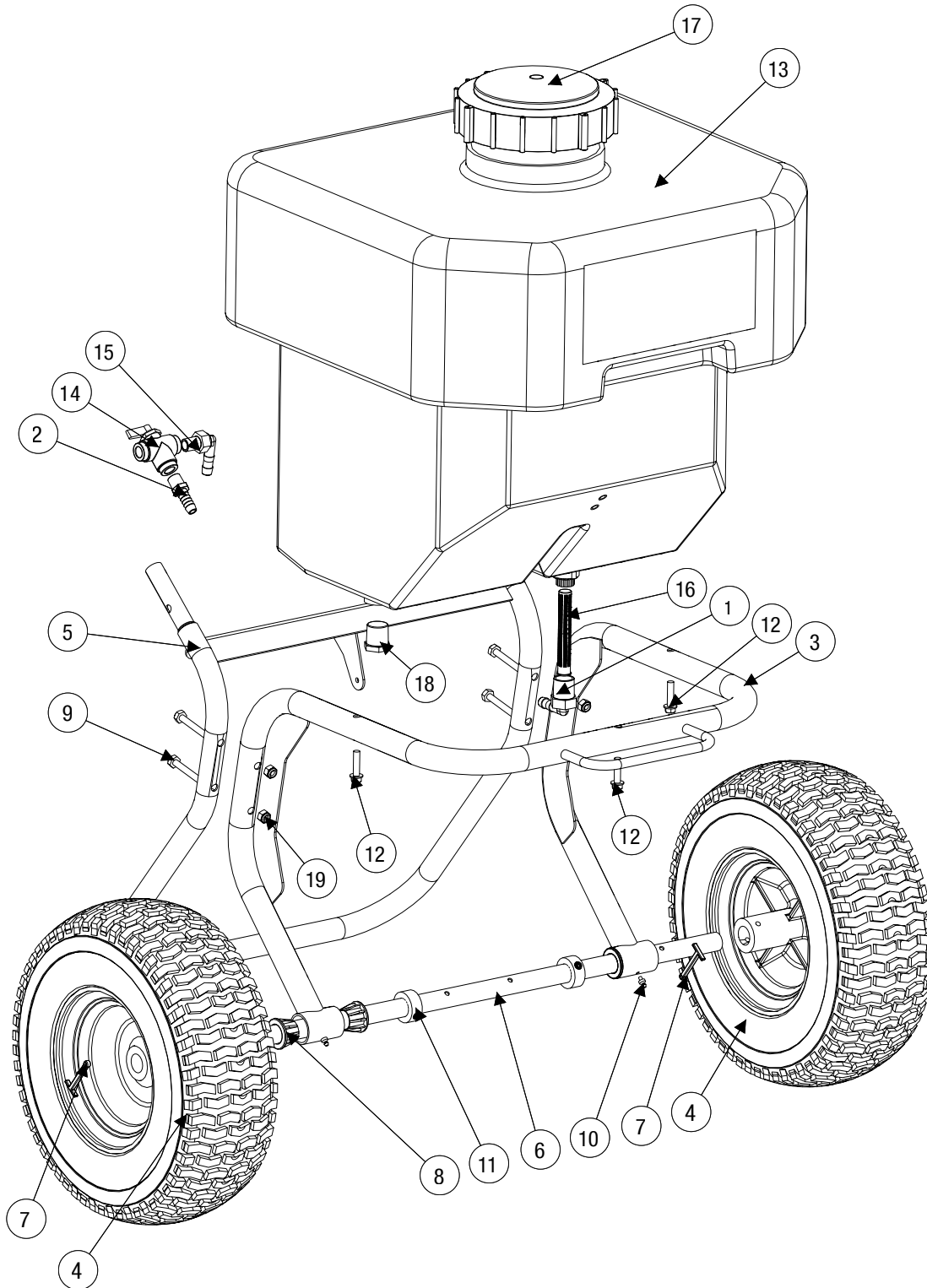
BOM ID	Description	Qty
6	F50020	1
7	F50106	1
8	F50107	1
9	F50112	2

BOM ID	Description	Qty
10	T15016	1
11	T15018	2
12	T20307	1
13	T30153	1

# Tank Assembly Parts Breakdown



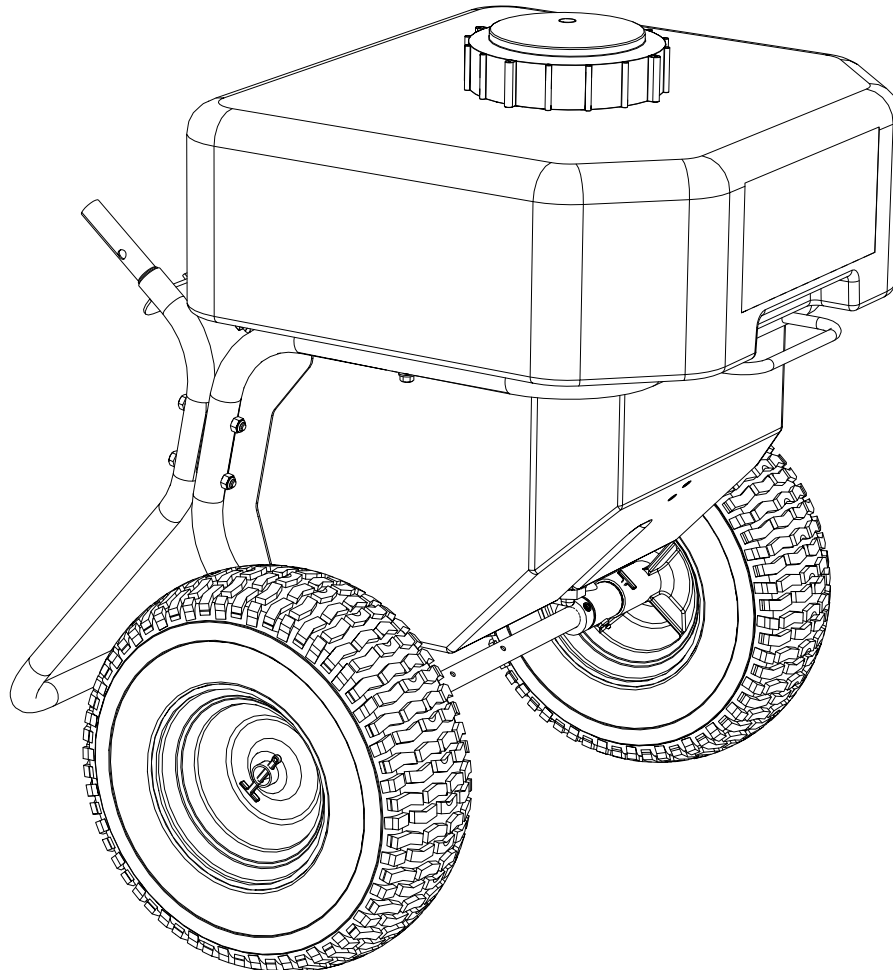
Model # SL-80



# Tank Assembly Parts Breakdown



Model # SL-80



ID #	Part #	Qty
1	D5377	1
2	D5381	1
3	D5901	1
4	D5904	2
5	D5906	1
6	D5915	1
7	D5919	2

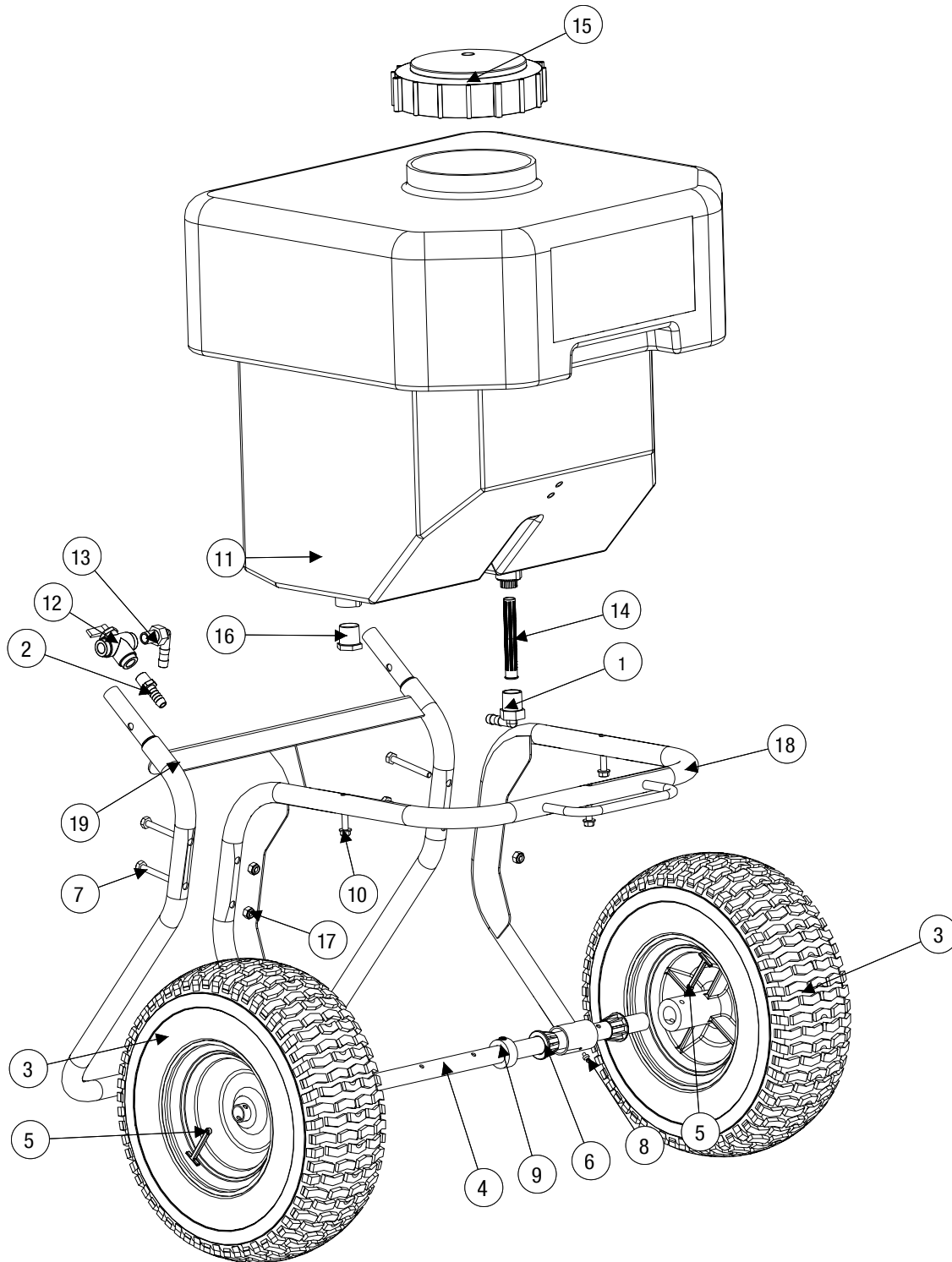
ID #	Part #	Qty
8	D5923	4
9	D5943	4
10	D5994	2
11	D6024	2
12	D6854	3
13	F50009	1
14	F50011	1

ID #	Part #	Qty
15	F50013	1
16	F50108	1
17	F50487	1
18	F50651	1
19	T15016	4

# Tank Assembly Parts Breakdown



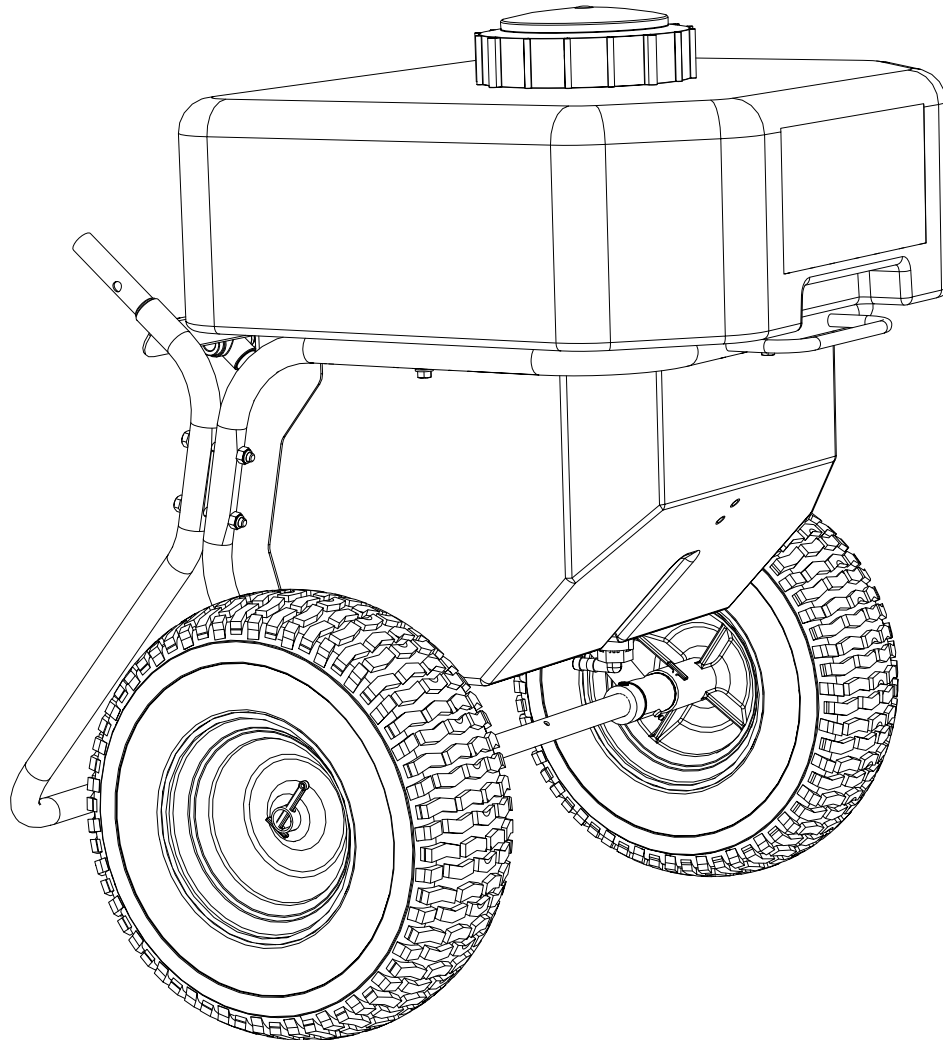
Model # SL-80SS



# Tank Assembly Parts Breakdown



Model # SL-80SS



ID #	Part #	Qty
1	D5377	1
2	D5381	1
3	D5904	2
4	D5915	1
5	D5919	2

ID #	Part #	Qty
6	D5923	4
7	D5943	4
8	D5994	2
9	D6024	2
10	D6854	3

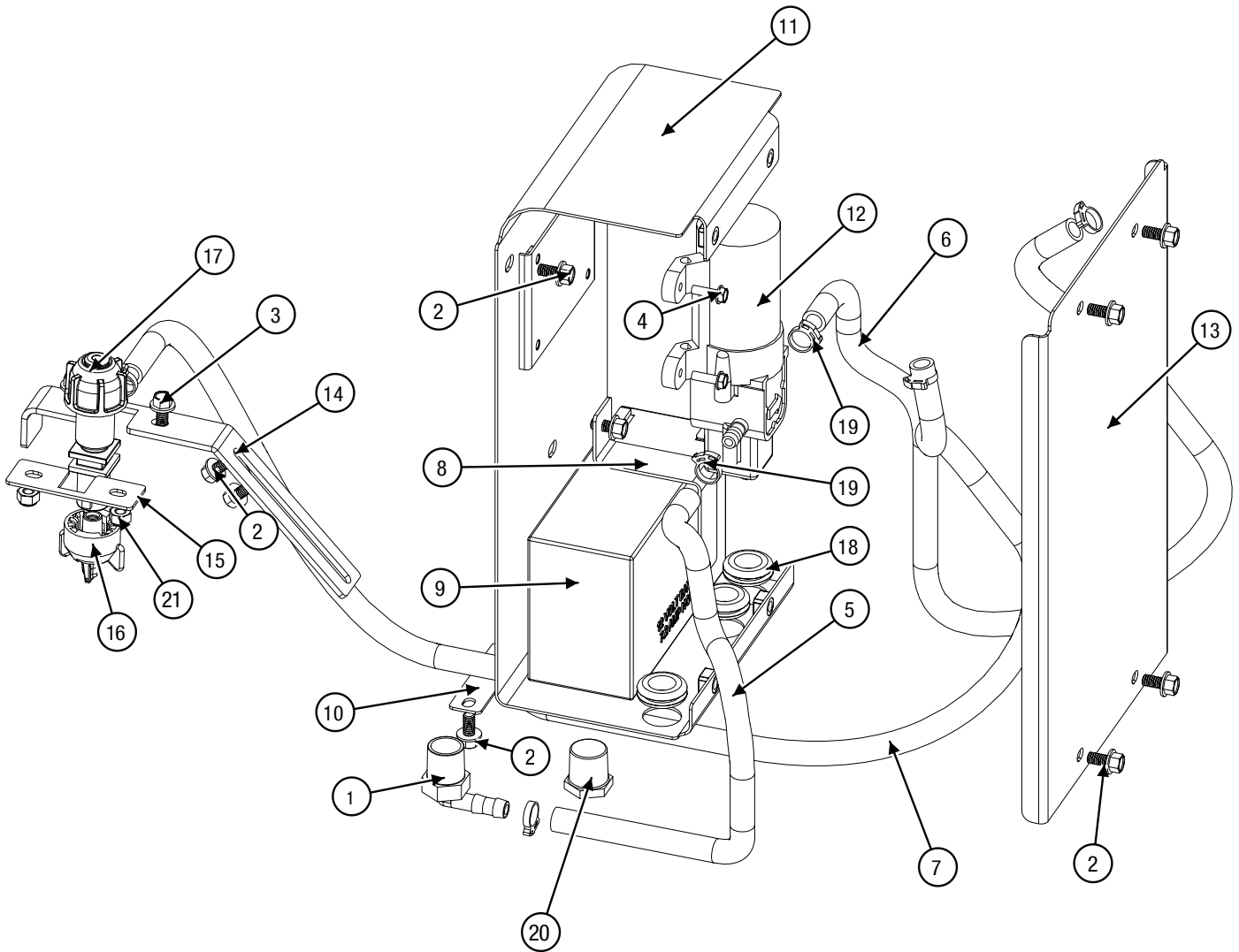
ID #	Part #	Qty
11	F50009	1
12	F50011	1
13	F50013	1
14	F50108	1
15	F50487	1

ID #	Part #	Qty
16	F50651	1
17	T15016	4
18	T30151	1
19	T30152	1

# Pump Assembly Parts Breakdown



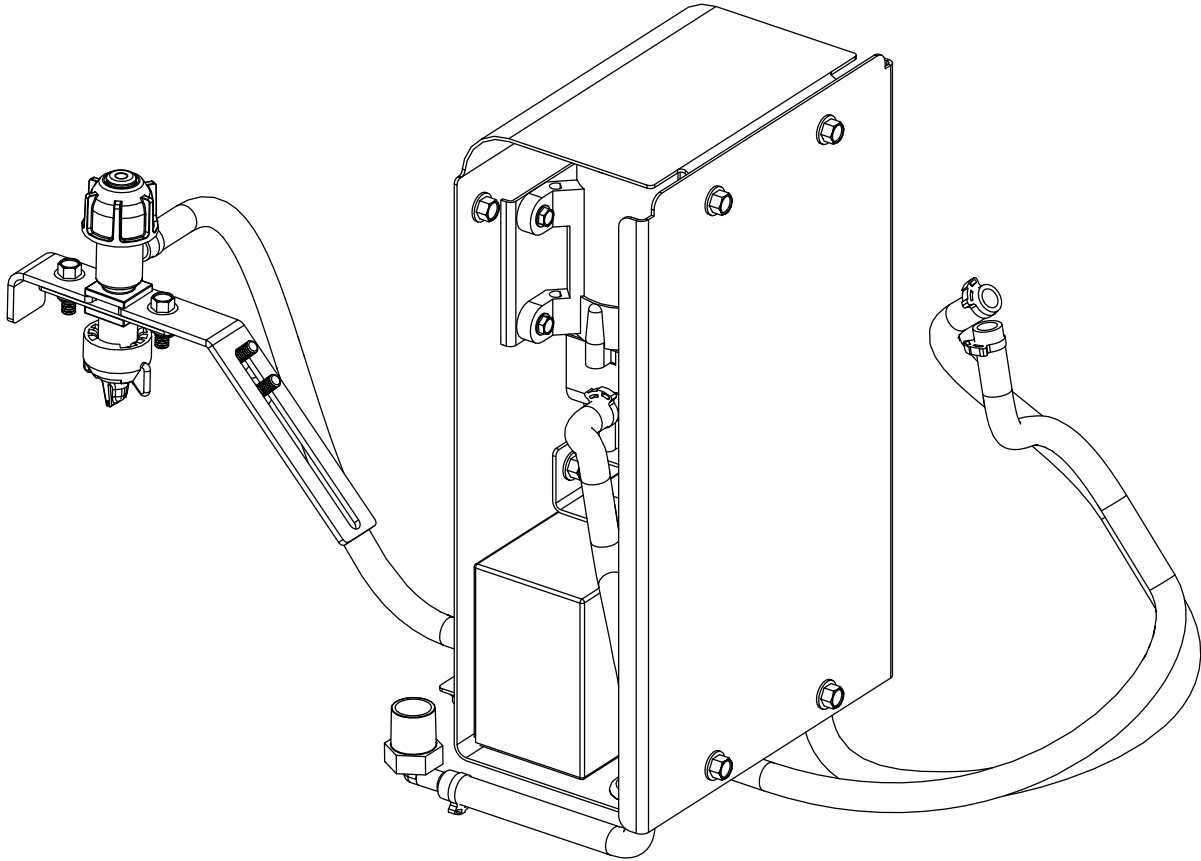
Model # SL-80



# Pump Assembly Parts Breakdown



Model # SL-80



ID #	Part #	Qty
1	D5377	1
2	D6131	11
3	D6132	2
4	D6172	4
5	D6988-16.5	1
6	D6988-30	1
7	D6988-40	1
8	F50000	1

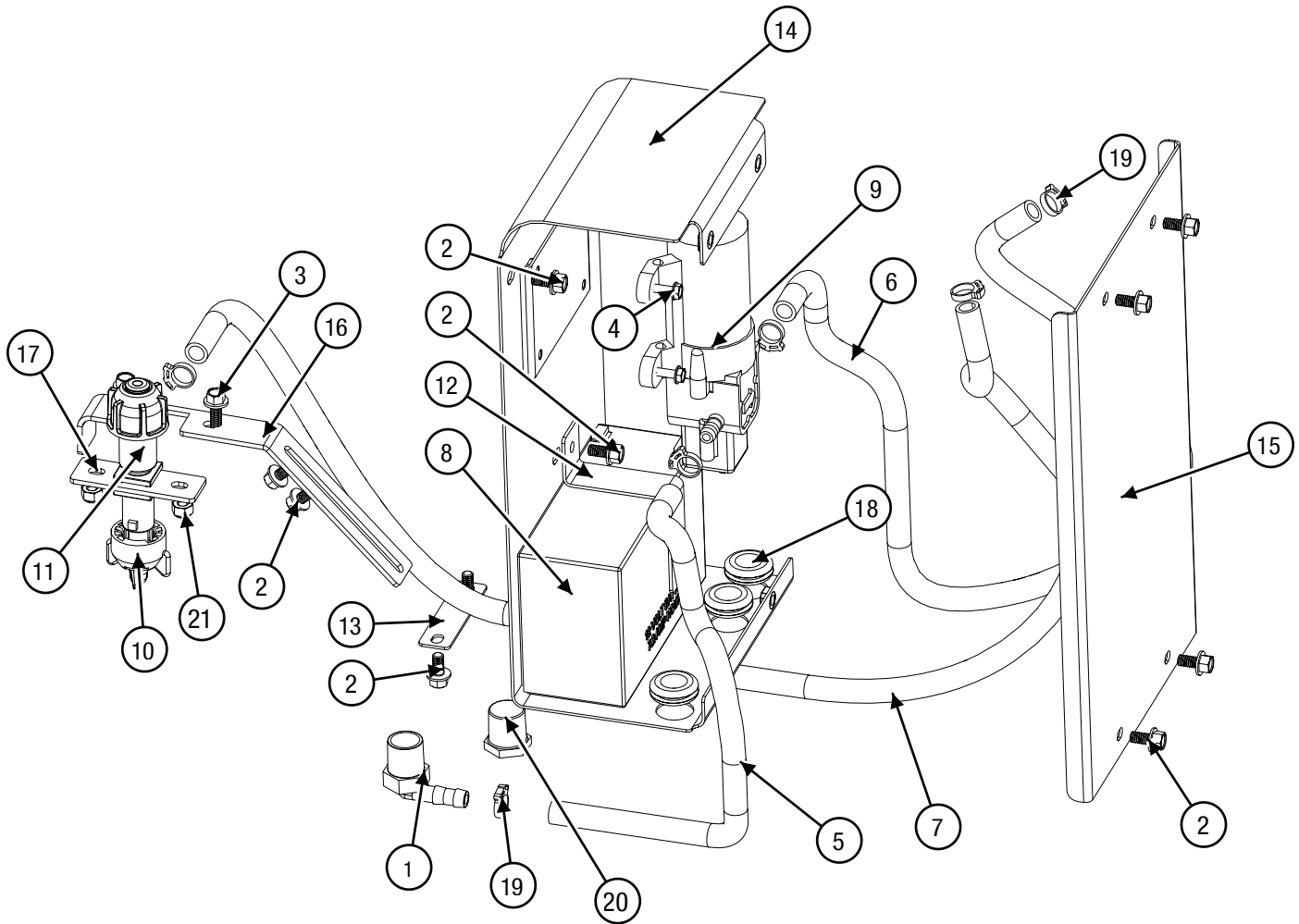
ID #	Part #	Qty
9	F50002	1
10	F50003	1
11	F50004	1
12	F50005	1
13	F50006	1
14	F50007	1
15	F50012	1
16	F50014	1

ID #	Part #	Qty
17	F50015	1
18	F50109	3
19	F50145	6
20	F50651	1
21	T15016	2

# Pump Assembly Parts Breakdown



Model # SL-80SS

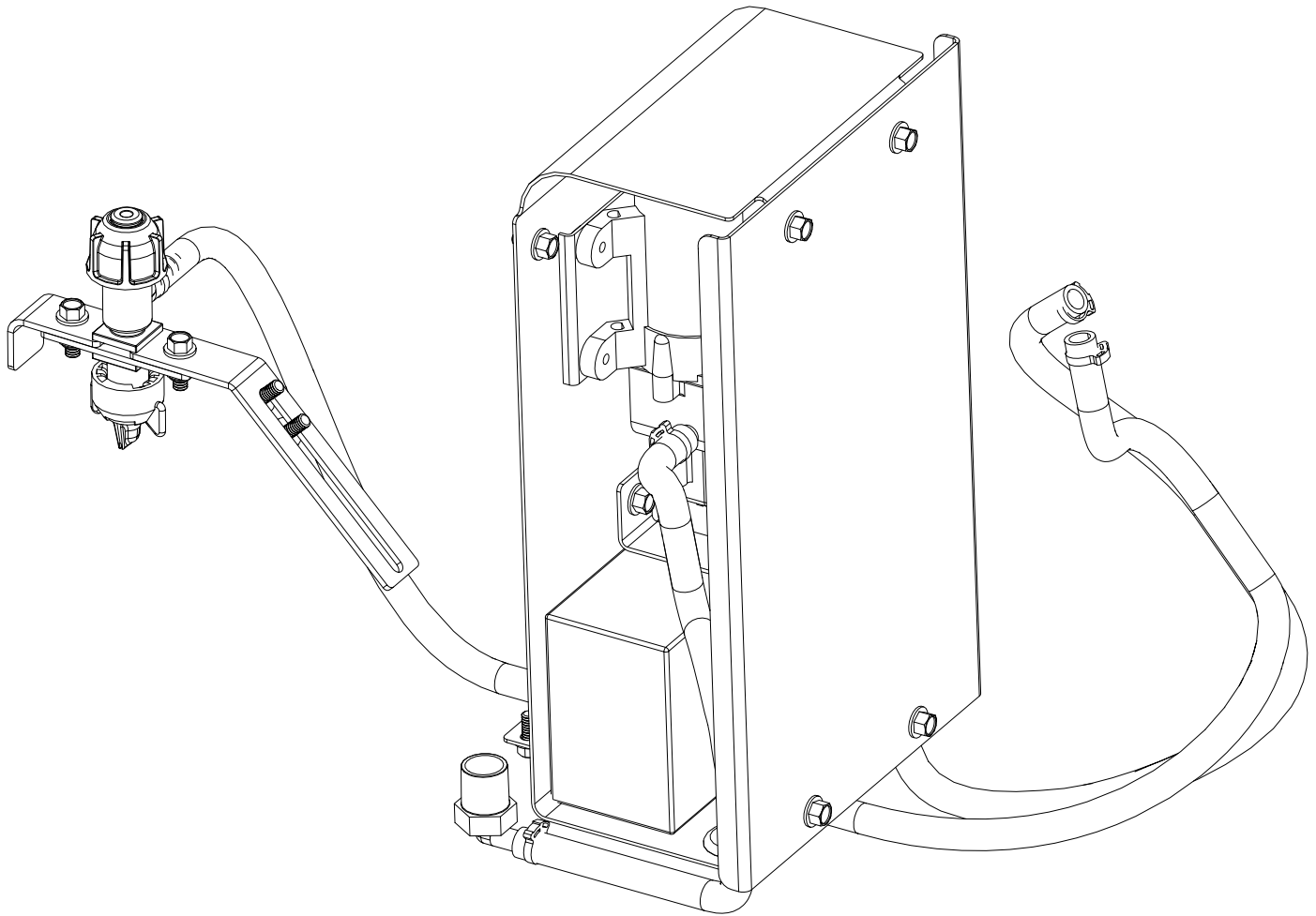




# Pump Assembly Parts Breakdown



Model # SL-80SS



ID #	Part #	Qty
1	D5377	1
2	D6131	11
3	D6132	2
4	D6172	1
5	D6988-16.5	1
6	D6988-30	1
7	D6988-40	1

ID #	Part #	Qty
8	F50002	1
9	F50005	1
10	F50014	1
11	F50015	1
12	F50019	1
13	F50021	1
14	F50022	1

ID #	Part #	Qty
15	F50023	1
16	F50024	1
17	F50025	1
18	F50109	3
19	F50145	6
20	F50651	1
21	T15016	2





