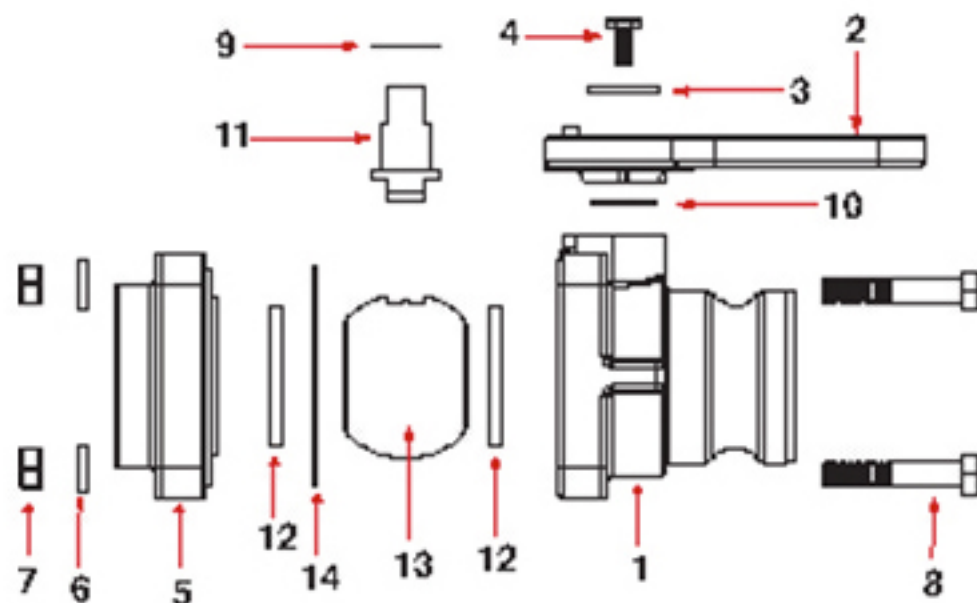
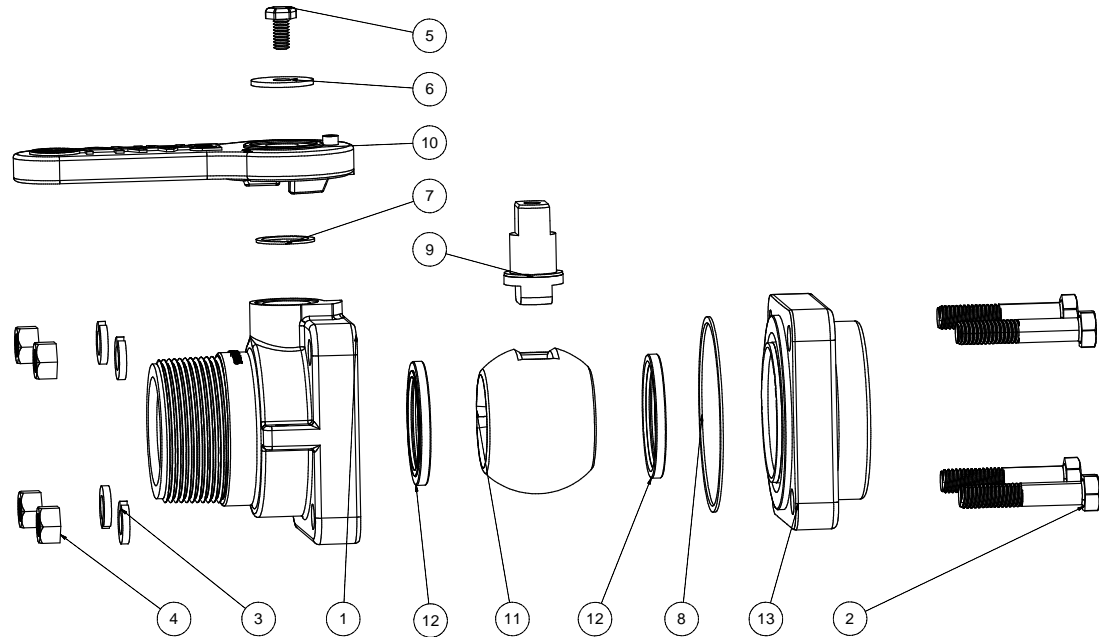
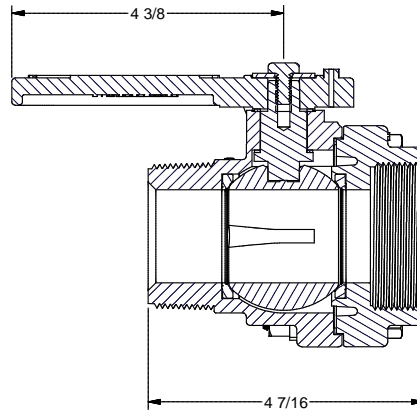
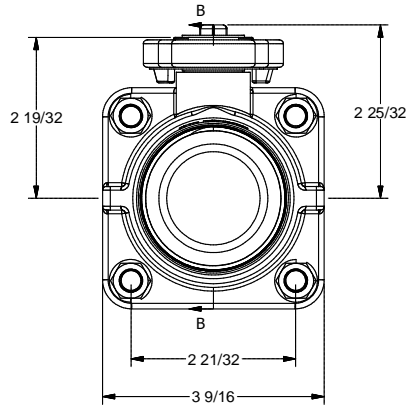


Part Number : VSMT200



Item	Part No.	Description	Qty.
1	VSMT20254	2" Male NPT Body	1
2	VS20152SH	2" Short Style Handle	1
3	V20021	Handle Washer	1
4	V20020	Handle Bolt	1
5	VS20256	2" Female End Plate	1
6	V20018	Lock Washer	4
7	V20019	3/8" 16 SS Hex Nut	4
8	V20010SS	SS Body Bolt	4
9	V20060*	Upper Stem Bushing	1
10	V20060*	Thrust Bearing	1
11	VS20151	Stem	1
12	VS20258A*	Seat	2
13	VS20255*	Ball	1
14	V21204*	Body Gasket	1
	VS20200	Repair Kit	1



Parts List			
ITEM	QTY	PART NUMBER	DESCRIPTION
1	1	VMT20254	2" NPT STUBBY BODY
2	4	V20010SS	3/8-16 X 2" HHCS
3	4	V20018	3/8" LOCKWASHER
4	4	V20019	3/8" HEX NUT
5	1	V20020	2" handle Bolt
6	1	V20021	Handle Washer
7	1	V20060	VALVE STEM THRUST BEARING
8	1	V21204	TFE E/P BODY GASKET
9	1	VS20151	VALVE STEM W/ BEARING
10	1	VS20152SH	2" STUBBY HANDLE
11	1	VS20255	2" VALVE BALL
12	2	VS20258A	BALL SEAT
13	1	VS20256	2" FNPT STUBBY END PLATE

THIS DRAWING AND ALL INFORMATION CONTAINED THEREON ARE THE EXCLUSIVE PROPERTY OF BANJO CORPORATION.

UNLESS SPECIFICALLY NOTED, THIS DRAWING AND ITEMS SHOWN ON THIS DRAWING ARE SUBJECT TO CHANGE AT ANY TIME.



BANJO CORPORATION
 150 BANJO DRIVE, CRAWFORDSVILLE, IN 47933
 WEB SITE: WWW.BANJOCORP.COM
 E-MAIL: SALES1@BANJOCORP.COM

DESCRIPTION
2" NPT STUBBY VALVE

PART NUMBER
VSMT200