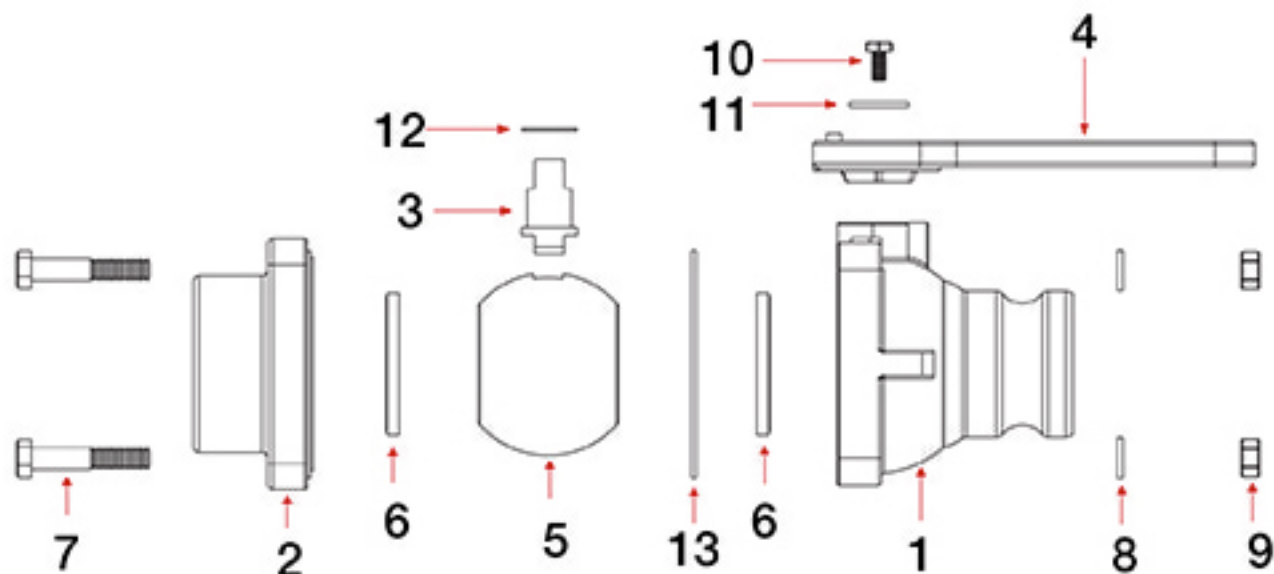
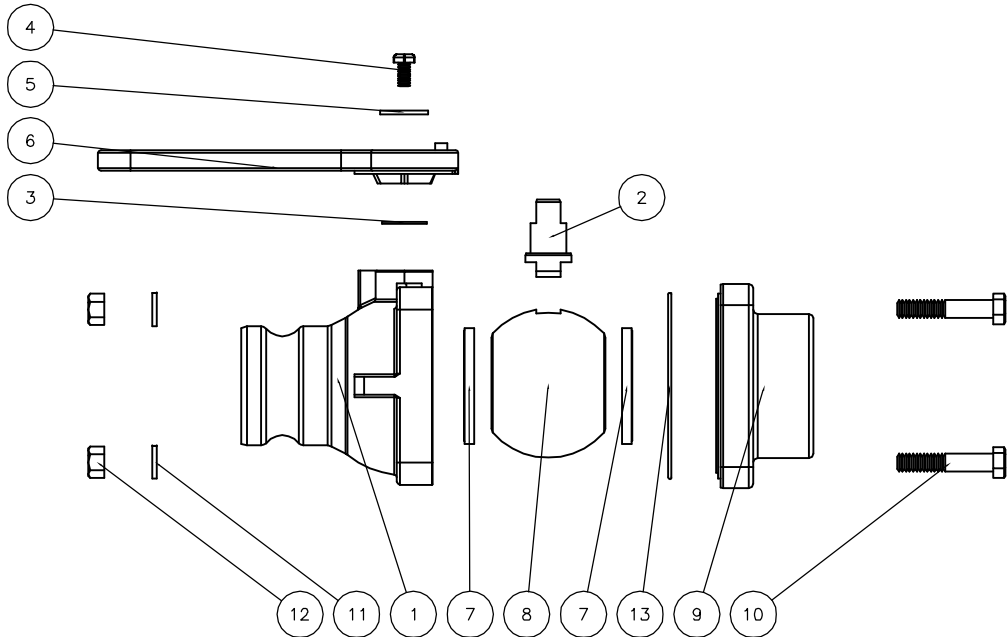


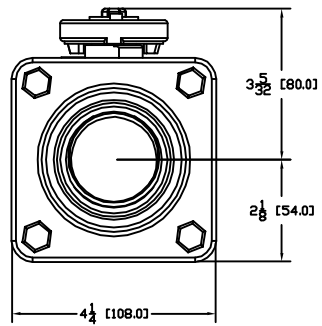
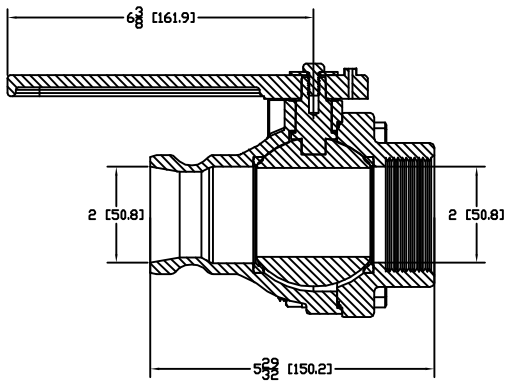
Part Number : VSF204FP



Item	Part No.	Description	Qty.
1	VF25254	2" FP Stubby Male Quick Connect Body	1
2	VS25356	2" FP Stubby Female NPT End Plate	1
3	VS20151	Stem	1
4	VS25153	2" FP Stubby Handle	1
5	VS25255	2" FP Stubby Ball	1
6	VS25258AR1	2" FP Stubby Seat	2
7	V20010SS	3/8" - 16 x 2" SS Bolt	4
8	V20018	3/8" SS Lock Washer	4
9	V20019	3/8" 16 SS Hex Nut	4
10	V20020	Retaining Bearing	1
11	V20021	Handle Washer	1
12	V20060	PFTE Bearing Gasket	2
13	V25214V	FKM (viton type) Body Seal	1



Parts list			
Item	Description	Material	Cn.
1	VF25254	20%GFPP	1
2	VS20151	30%GFPP	1
3	V20060	TFE	1
4	V20020	18-8SS	1
5	V20021	18-8SS	1
6	VS25153	30%GFPP	1
7	VS25258AR1	TFE	2
8	VS25255	20%TFPP	1
9	VS25356	20%GFPP	1
10	BF207	18-8SS	4
11	V20018	18-8SS	4
12	V20019	18-8SS	4
13	V25214V	BODY GASKET	1



THIS DRAWING AND ALL INFORMATION CONTAINED THEREIN ARE THE EXCLUSIVE PROPERTY OF BANJO CORPORATION. UNLESS SPECIALLY NOTED, THIS DRAWING AND ITEMS SHOWN ON THIS DRAWING ARE SUBJECT TO CHANGE AT ANY TIME.



BANJO CORPORATION
150 BANJO DR. * CRAWFORDSVILLE, IN 47933

PART NO. VSF204FP

TITLE 2" FP F X FPT STUBBY VALVE