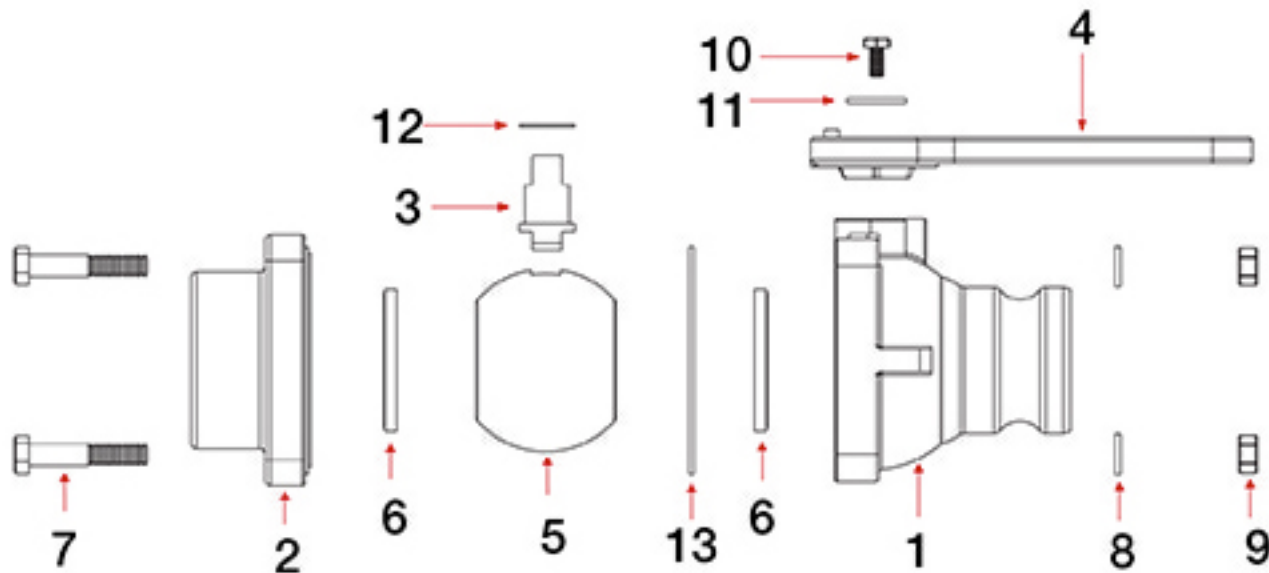
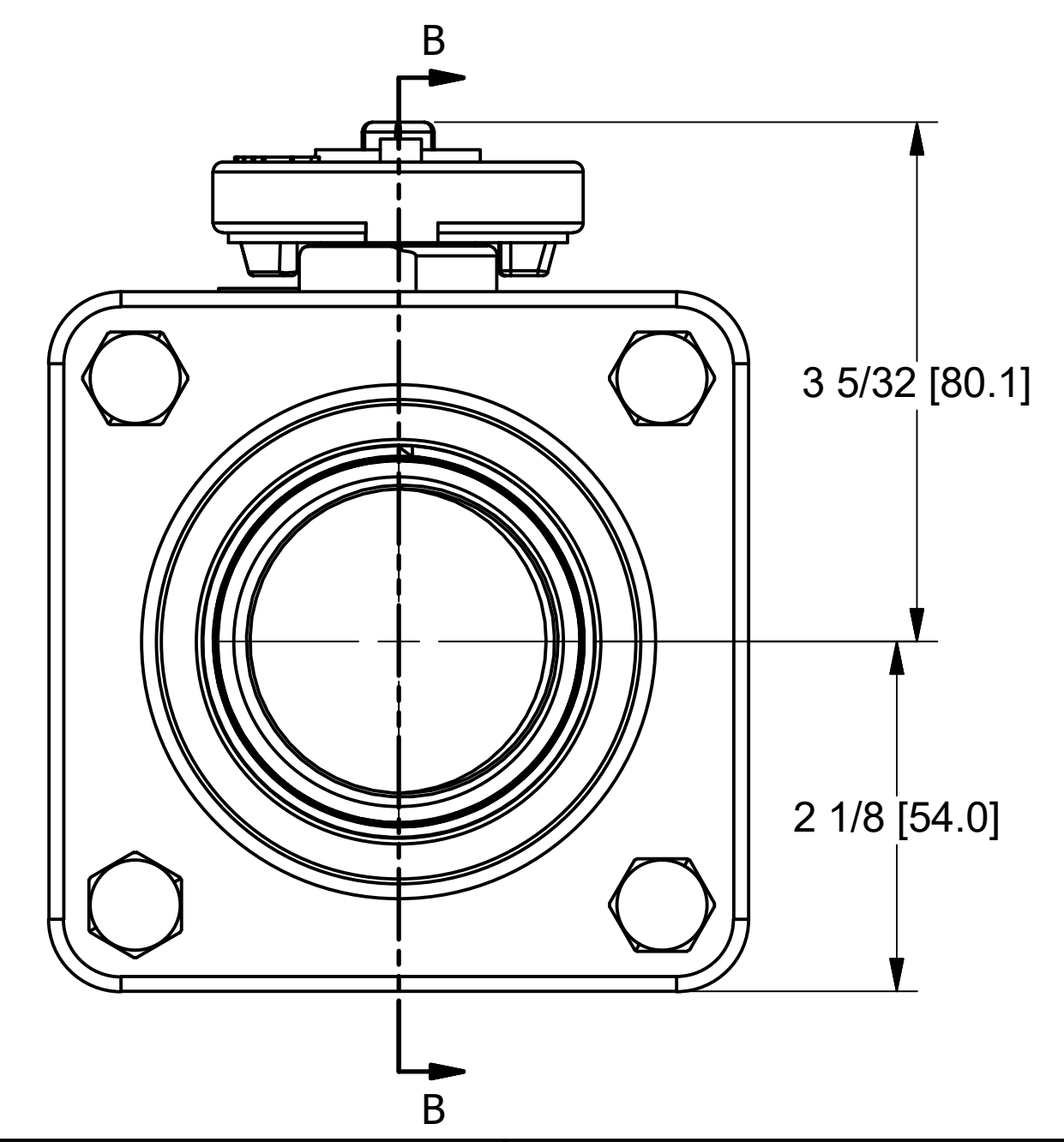
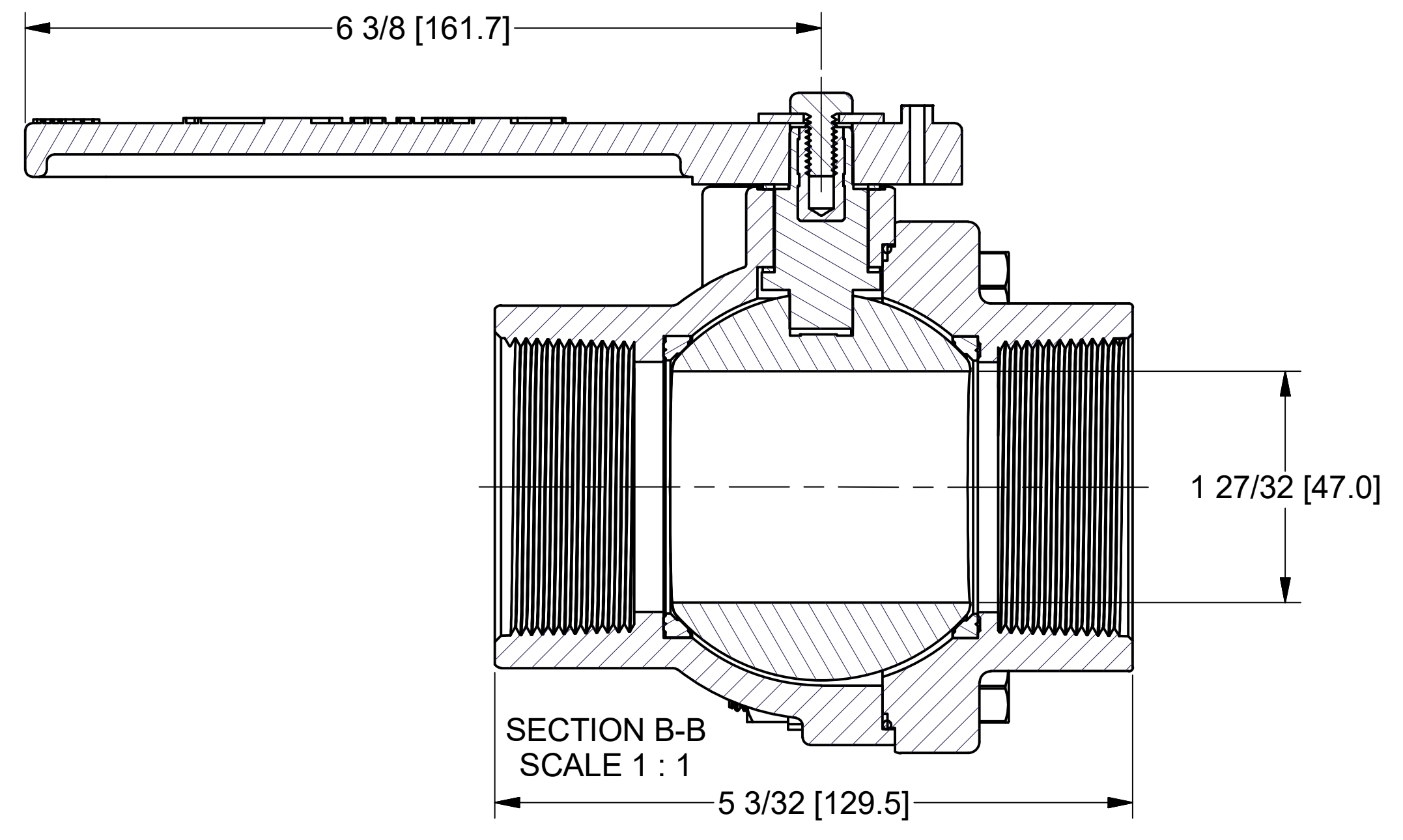
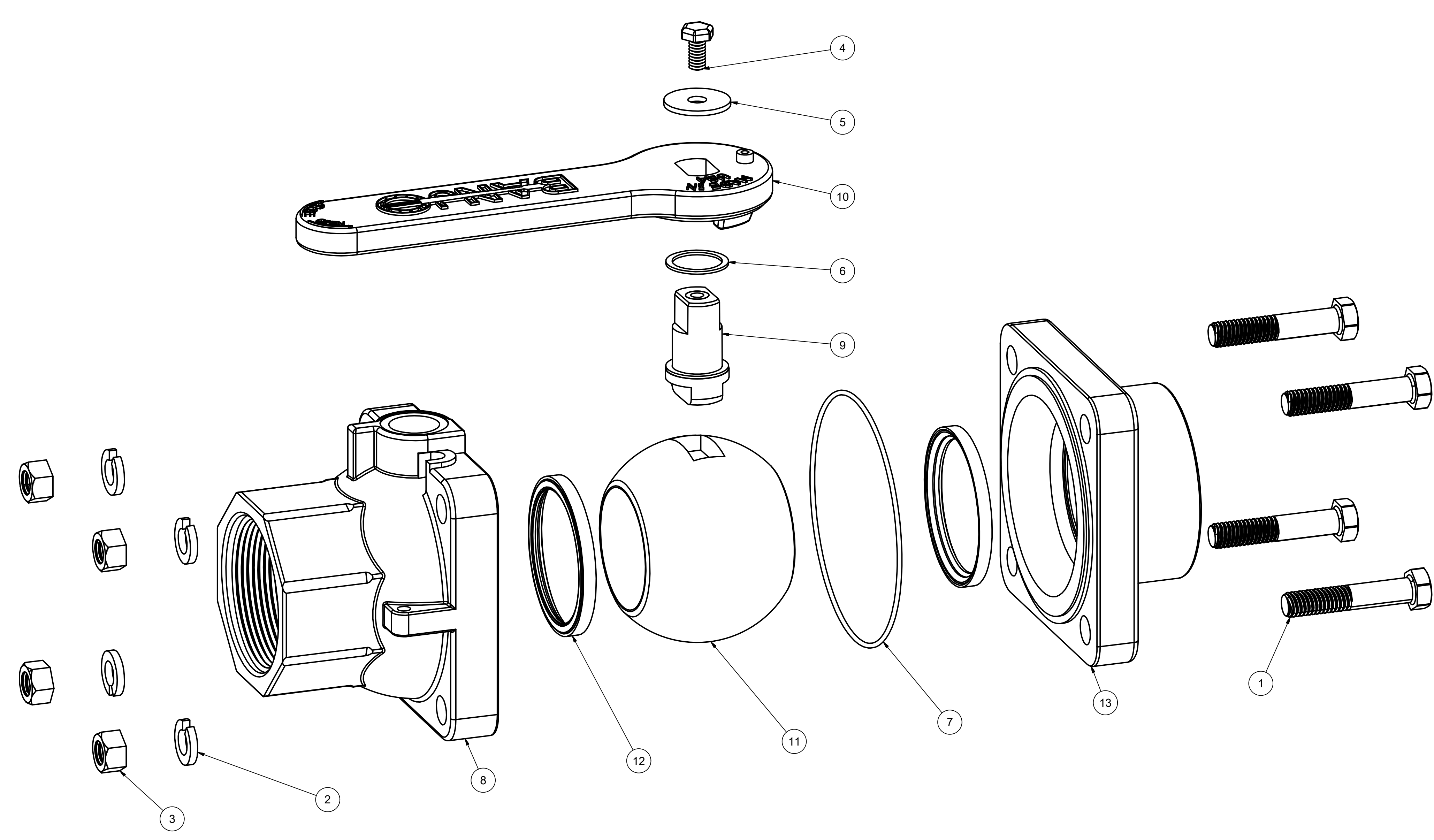


**Part Number : VS204FP**



Item	Part No.	Description	Qty.
1	VFT25254	2" FP Stubby Female NPT Body	1
2	VS25356	2" FP Stubby Female NPT End Plate	1
3	VS20151	Stem	1
4	VS25153	2" FP Stubby Handle	1
5	VS25255	2" FP Stubby Ball	1
6	VS25258AR1	2" FP Stubby Seat	2
7	V20010SS	3/8" - 16 x 2" SS Bolt	4
8	V20018	3/8" SS Lock Washer	4
9	V20019	3/8" 16 SS Hex Nut	4
10	V20020	Retaining Bearing	1
11	V20021	Handle Washer	1
12	V20060	PFTE Bearing Gasket	2
13	V25214V	FKM (viton type) Body Seal	1

Parts List			
ITEM	QTY	PART NUMBER	DESCRIPTION
1	4	V20010SS	3/8-16 X 2" HHCS
2	4	V20018	3/8" LOCKWASHER
3	4	V20019	3/8" HEX NUT
4	1	V20020	2" handle Bolt
5	1	V20021	Handle Washer
6	1	V20060	VALVE STEM THRUST BEARING
7	1	V25214V	#44 O-RING, FKM
8	1	VFT25254	2" FP FEMALE NPT STUBBY BODY
9	1	VS20151	VALVE STEM W/ BEARING
10	1	VS25153	2" FP STUBBY HANDLE
11	1	VS25255	2" Stubby Full Port Ball
12	2	VS25258AR1	3" FP Ball Seat
13	1	VS25356	2" FP STUBBY ENDPLATE



THIS DRAWING AND ALL INFORMATION CONTAINED THEREON ARE THE EXCLUSIVE PROPERTY OF BANJO CORPORATION.

UNLESS SPECIFICALLY NOTED, THIS DRAWING AND ITEMS SHOWN ON THIS DRAWING ARE SUBJECT TO CHANGE AT ANY TIME.

BANJO CORPORATION  
 150 BANJO DRIVE, CRAWFORDSVILLE, IN 47933  
 WEB SITE: WWW.BANJO.CORP.COM  
 E-MAIL: BANJOSALES@IDEXCORP.COM

DESCRIPTION  
**2" FP FPT x FPT Stubby Valve**

PART NUMBER  
**VS204FP**