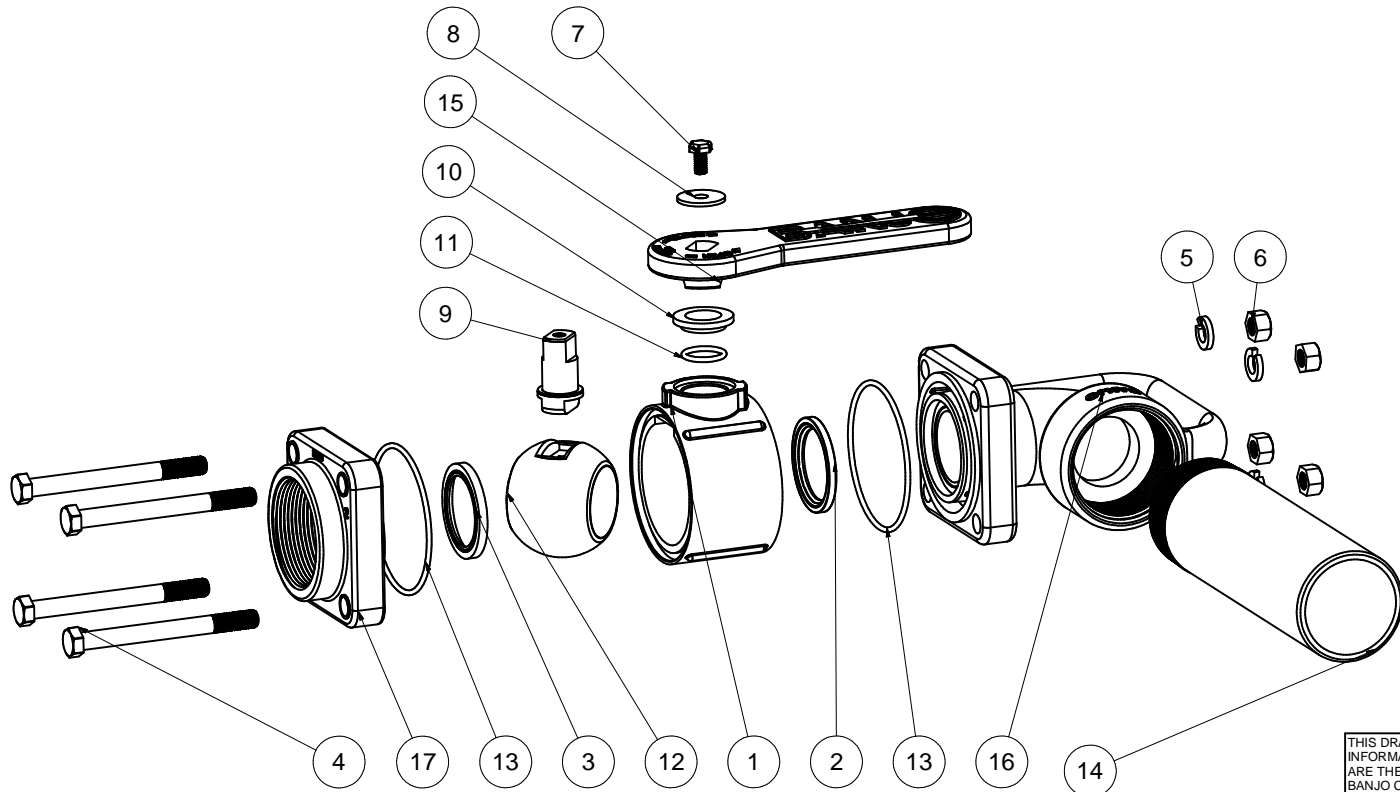


Parts List			
ITEM	QTY	PART NUMBER	DESCRIPTION
1	1	V20254	2" VALVE BODY
2	1	V20258A	3" FP Ball Seat
3	1	V20258	2" Ball Seat
4	4	V20017	3/8-16 X 4" HHCS
5	4	V20018	3/8" LOCKWASHER
6	4	V20019	3/8" HEX NUT
7	1	V20020	2" handle Bolt
8	1	V20021	Handle Washer
9	1	V20151M	VALVE STEM W/ BEARING
10	1	V20159	2" STEM BUSHING
11	1	V20163	#116 O'RING, FKM
12	1	V20255A	2" Valve Ball
13	2	V20264	#151 O'RING, FKM
14	1	V25165	2" NPT X 8" NOZZLE PIPE
15	1	V20152	ANGLE HANDLE
16	1	V20261	1 1/2" ANGLE FLANGE END PLATE
17	1	V20256	2" NPT END PLATE



THIS DRAWING AND ALL INFORMATION CONTAINED THEREON ARE THE EXCLUSIVE PROPERTY OF BANJO CORPORATION.

UNLESS SPECIFICALLY NOTED, THIS DRAWING AND ITEMS SHOWN ON THIS DRAWING ARE SUBJECT TO CHANGE AT ANY TIME.



BANJO CORPORATION
 150 BANJO DRIVE, CRAWFORDSVILLE, IN 47933
 WEB SITE: WWW.BANJOCORP.COM
 E-MAIL: BANJOSALES@IDEXCORP.COM

DESCRIPTION
 2" FNPT NOZZLE W/ 1 1/2" PORT

PART NUMBER
 VA200