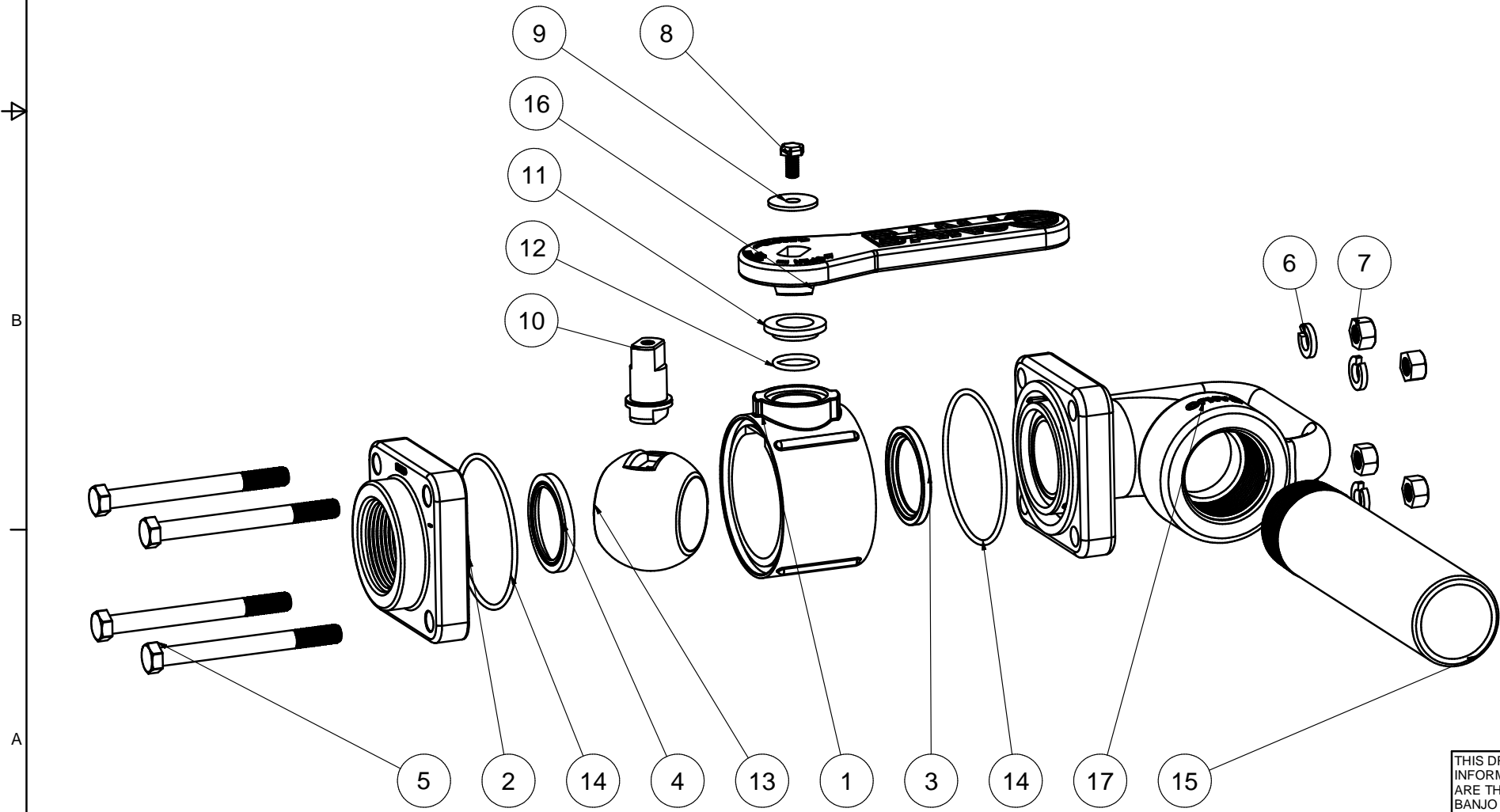


Parts List			
ITEM	QTY	PART NUMBER	DESCRIPTION
1	1	V20254	2" VALVE BODY
2	1	V20257	1 1/2" FNPT END PLATE
3	1	V20258A	3" FP Ball Seat
4	1	V20258	2" Ball Seat
5	4	V20017	3/8-16 X 4" HHCS
6	4	V20018	3/8" LOCKWASHER
7	4	V20019	3/8" HEX NUT
8	1	V20020	2" handle Bolt
9	1	V20021	Handle Washer
10	1	V20151M	VALVE STEM W/ BEARING
11	1	V20159	2" STEM BUSHING
12	1	V20163	#116 O'RING, FKM
13	1	V20255A	2" Valve Ball
14	2	V20264	#151 O'RING, FKM
15	1	V20166	1 1/2" NPT X 8" NOZZLE PIPE
16	1	V20152	ANGLE HANDLE
17	1	V20262	1 1/2" ANGLE FLANGE END PLATE



THIS DRAWING AND ALL INFORMATION CONTAINED THEREON ARE THE EXCLUSIVE PROPERTY OF BANJO CORPORATION.

UNLESS SPECIFICALLY NOTED, THIS DRAWING AND ITEMS SHOWN ON THIS DRAWING ARE SUBJECT TO CHANGE AT ANY TIME.

BANJO CORPORATION

BANJO CORPORATION
150 BANJO DRIVE, CRAWFORDSVILLE, IN 47933
WEB SITE: WWW.BANJOCORP.COM
E-MAIL: BANJOSALES@IDEXCORP.COM

DESCRIPTION
1 1/2" FNPT X 1 1/2" NOZZLE

PART NUMBER
VA150