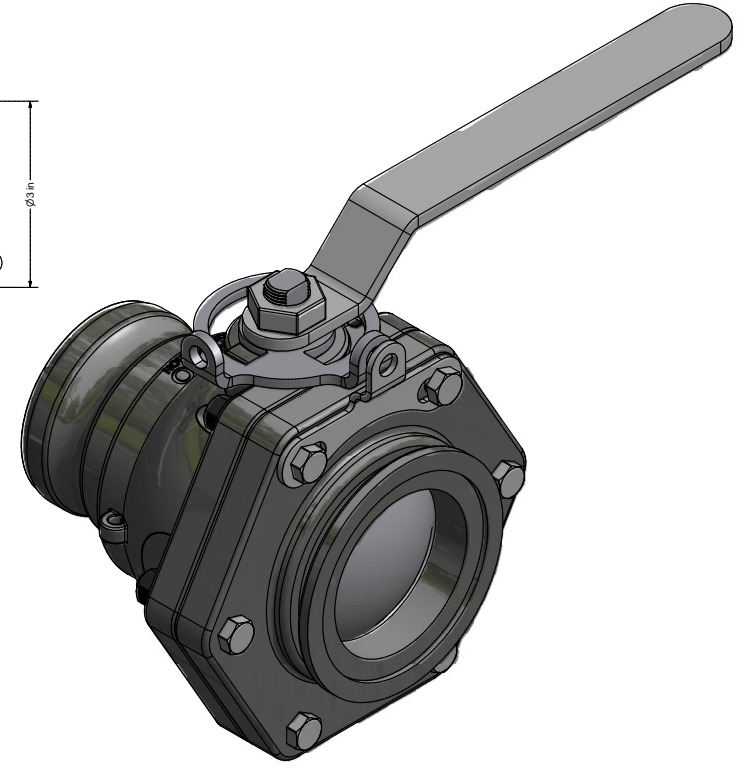
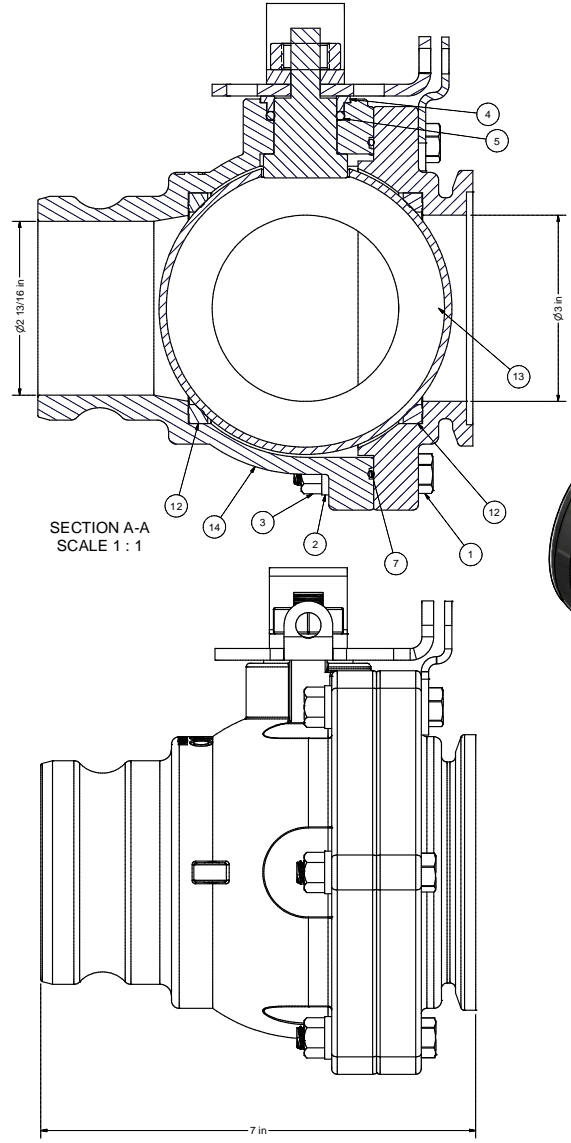
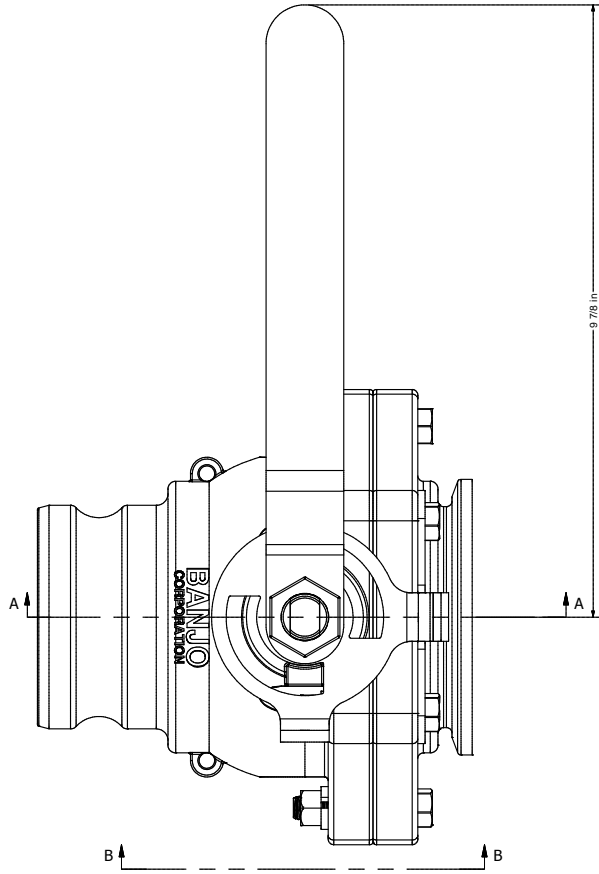


Parts List			
ITEM	QTY	PART NUMBER	DESCRIPTION
1	6	V20010SS	3/8-16 X 2" HHCS
2	6	V20018	3/8" LOCKWASHER
3	6	V20019	3/8" HEX NUT
4	1	V25160	Stem Bushing
5	1	V25163	#214 FKM O'RING
6	1	V35255ASS	3" FP SS Hollow Ball
7	1	V35265	3" FP body O-ring FKM
8	1	VS30101SS	Handle Stop Plate
9	1	VS30102SS	3" Std Port Stubby Valve handle Lock
10	1	VS30151SS	3" SS Stubby Valve Stem
11	1	VS30153SS	3" Valve handle, SS
12	2	VS35258	3" FP Stubby Valve Seat
13	1	VS35278	3" FP Stubby Manifold Endplate
14	1	VSF35254	3" FP Stubby F Body
15	1	VSS30020	3/4"-16 SS Jam Nut



THIS DRAWING AND ALL INFORMATION CONTAINED THEREON ARE THE EXCLUSIVE PROPERTY OF BANJO CORPORATION.

UNLESS SPECIFICALLY NOTED, THIS DRAWING AND ITEMS SHOWN ON THIS DRAWING ARE SUBJECT TO CHANGE AT ANY TIME.

BANJO CORPORATION
 150 BANJO DRIVE, CRAWFORDSVILLE, IN 47933
 WEB SITE: WWW.BANJOCORP.COM
 E-MAIL: SALES1@BANJOCORP.COM

DESCRIPTION:
3" Male Adapter x 3" Manifold Flange Stubby Valve SS Ball, Stem, Handle

PART NUMBER
MVSF300HSFP