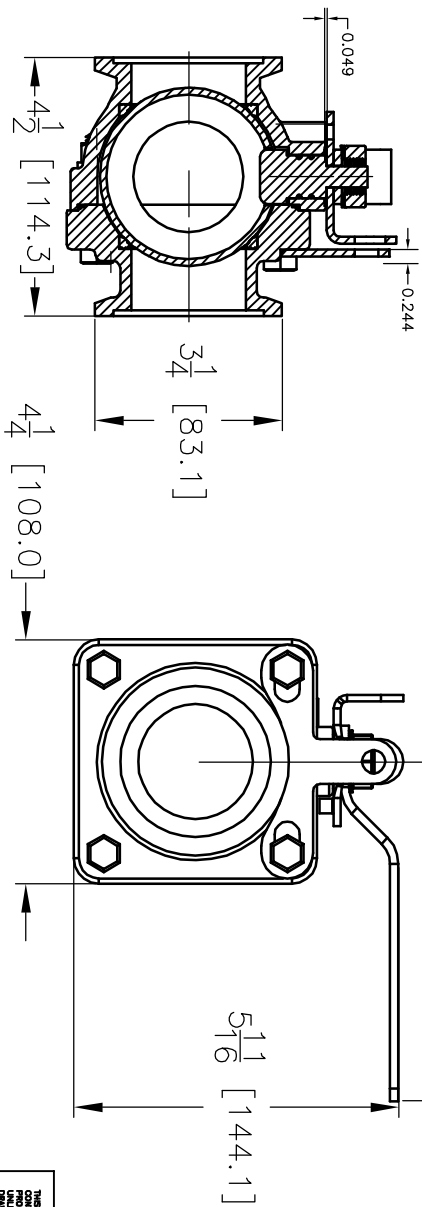
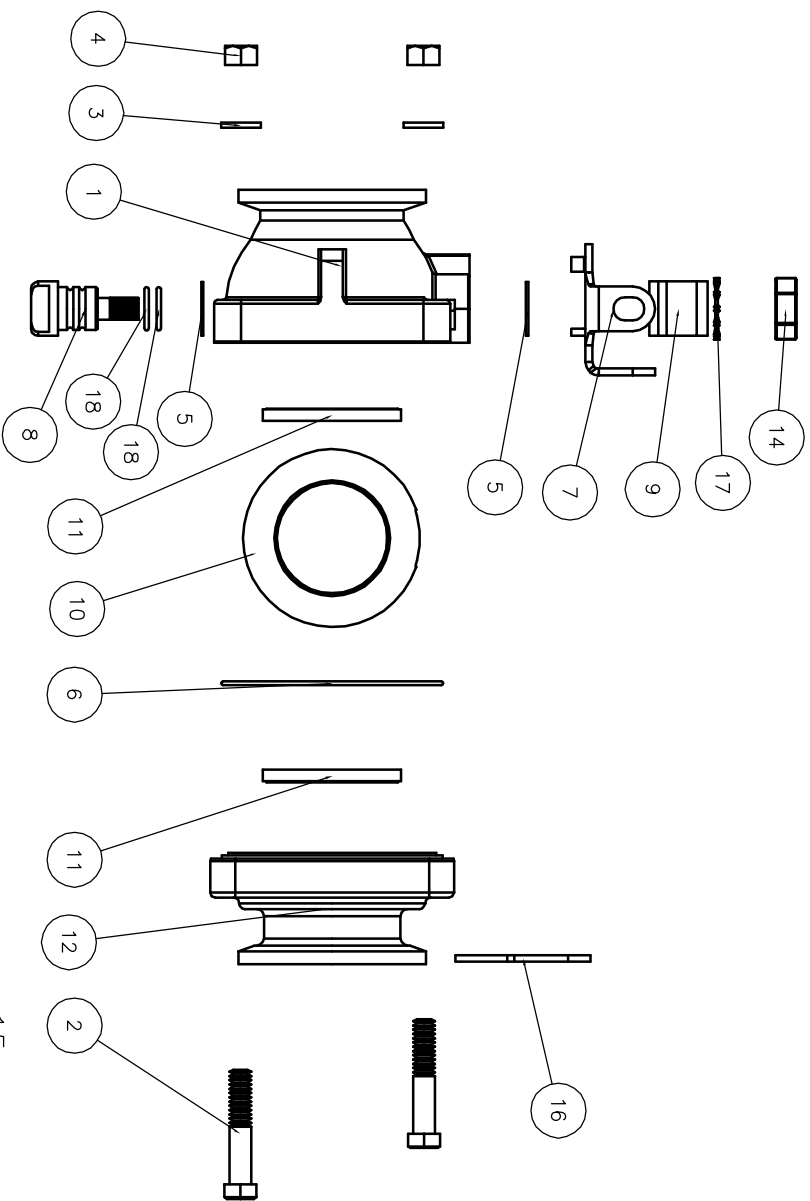


Item	Qty	PART NO.	DESCRIPTION
1	1	MV25254	2" STUBBY BODY
2	4	V20010SS	BODY BOLT
3	4	V20018	LOCKWASHER
4	4	V20019	BODY NUT
5	2	V20060	THRUST BEARING
6	1	V25214V	BODY GASKET
7	1	VS20101SS	SS Handle Stop
8	1	VS20151SS	SS Stem
9	1	VS25153SS	SS Handle
10	1	VS25255SS	SS Bolt
11	2	VS25258AR1	SEAT
12	1	VS25378	2" EP
14	1	VSS15020	SS Handle Nut
16	1	VS20102SS	Lock Plate
17	1	VS20021	Handle Washer
18	2	VS20163	Stem O-ring, FKM

Parts List



THIS DRAWING AND ALL INFORMATION CONTAINED THEREON ARE THE EXCLUSIVE PROPERTY OF BANBUO CORPORATION. NO PARTS, MATERIALS, METHODS, PROCESSES, OR INFORMATION HEREIN ARE TO BE REPRODUCED, COPIED, OR TRANSMITTED IN ANY MANNER WITHOUT THE WRITTEN PERMISSION OF BANBUO CORPORATION.



**BANBUO CORPORATION**  
150 BANBUO DR. • CRAWFORDVILLE, IN 47933

PART NO. MVS220HSFP

TITLE  
2" STUBBY VALVE, Stainless Hardware