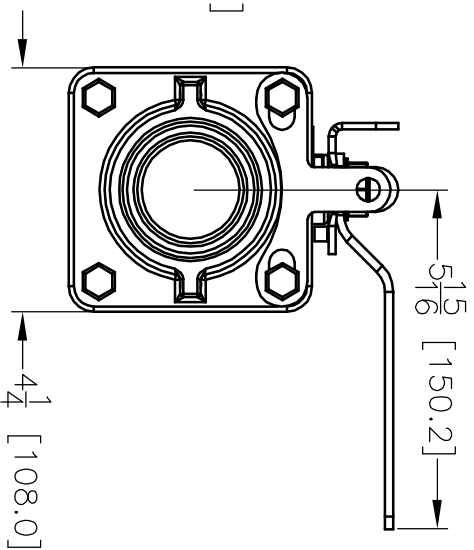
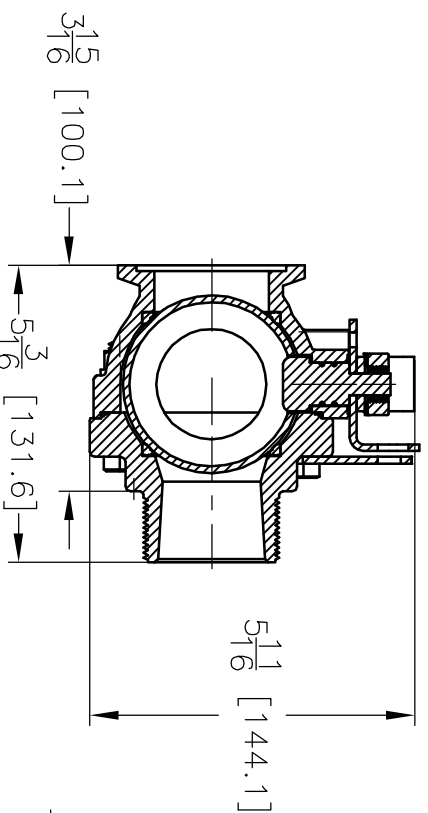
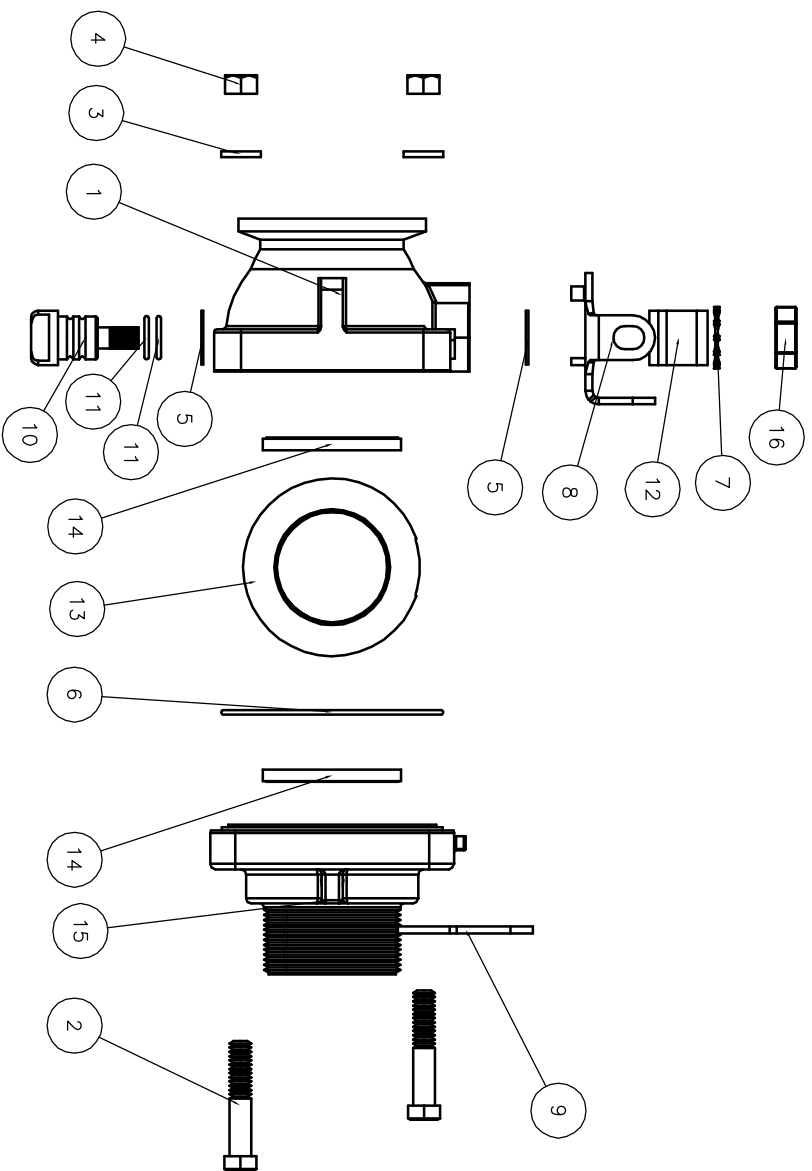


Parts List		
Item Qty	PART NO.	DESCRIPTION
1	MV25254	2" STUBBY BODY
2	V20010SS	BODY BOLT
3	V20018	LOCKWASHER
4	V20019	BODY NUT
5	V20060	THRUST BEARING
6	V25214V	BODY GASKET
7	VS20021	Handle Washer
8	VS20101SS	SS Handle Stop
9	VS20102SS	Lock Plate
10	VS20151SS	SS Stem
11	VS20163	Stem O-ring, FKM
12	VS25153SS	SS Handle
13	VS25255SS	SS Ball
14	VS25258AR1	SEAT
15	VSM125356	MT Endplate
16	VSS15020	SS Handle Nut



THIS DRAWING AND ALL INFORMATION CONTAINED THEREON ARE THE EXCLUSIVE PROPERTY OF BANUO CORPORATION. NO PARTS, MATERIALS, METHODS, PROCESSES, OR INFORMATION FROM THIS DRAWING ARE TO BE REPRODUCED OR USED IN ANY MANNER WITHOUT THE WRITTEN PERMISSION OF BANUO CORPORATION.



BANUO CORPORATION
150 BANUO DR. • CRAWFORDVILLE, IN 47833

PART NO: MVSMT220HSFP

TITLE: 2" Modified x Male Thread Slubby Valve SS Hardware