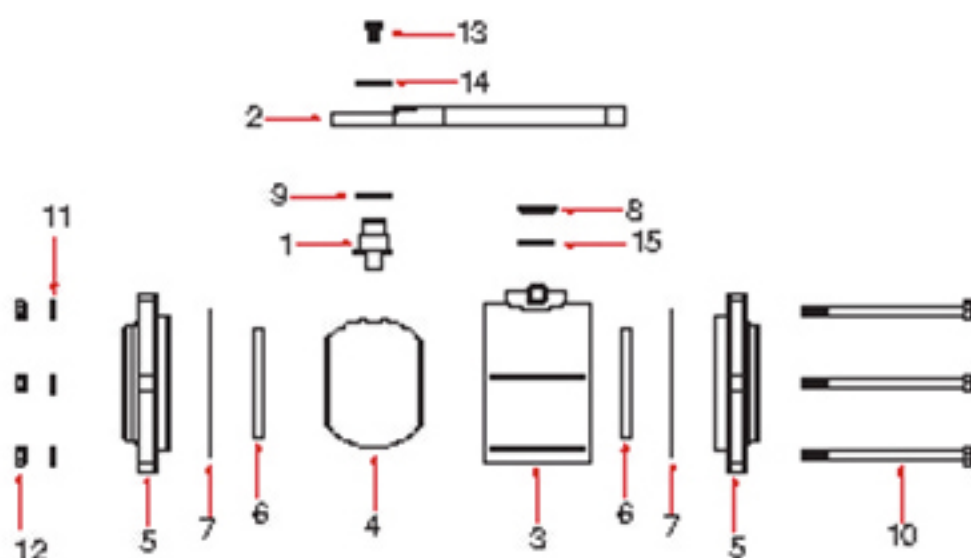
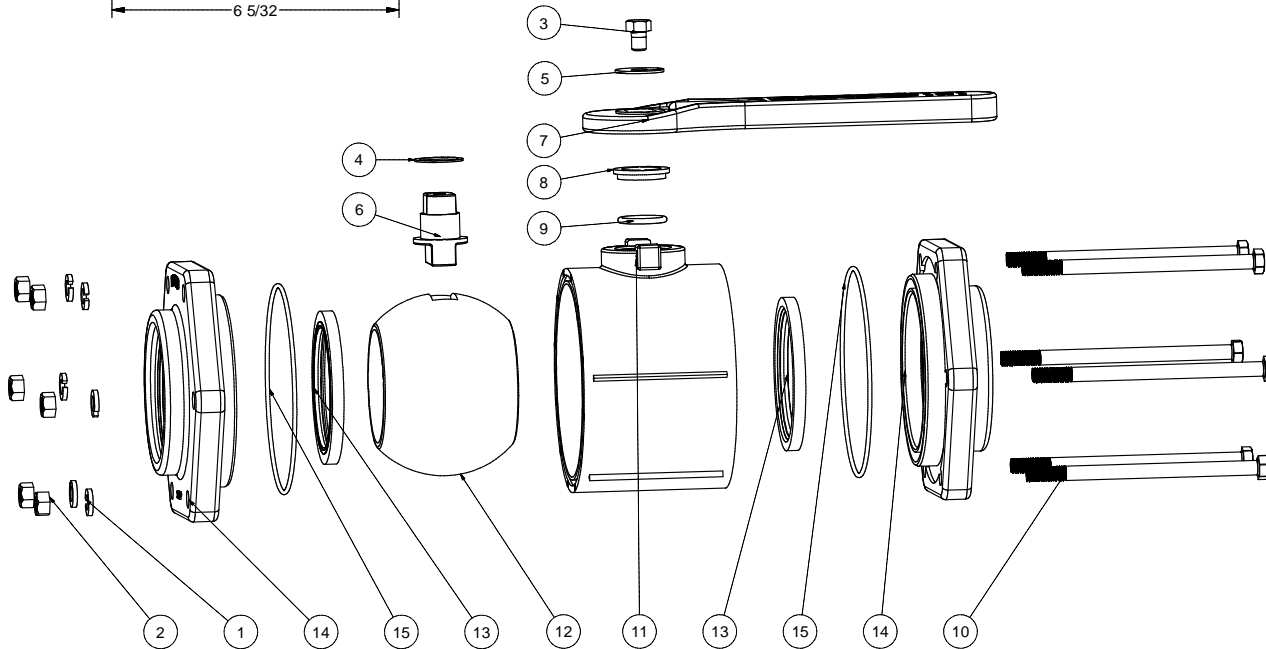
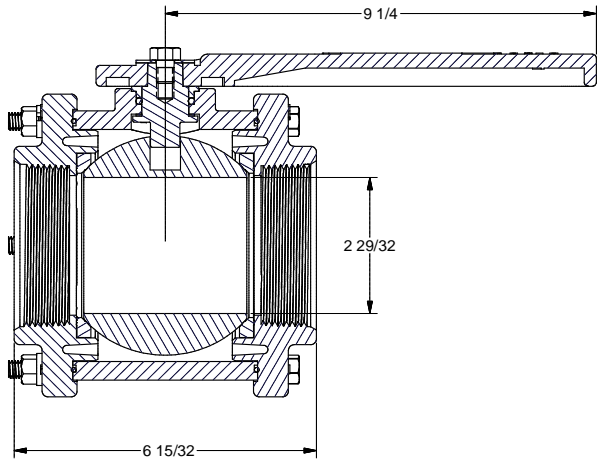
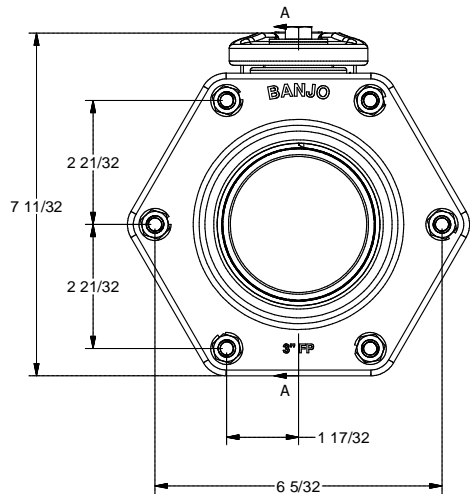


## Part Number : V300FP



Item	Part No.	Description	Qty.
1	V25151B	Stem	1
2	V25153	Handle	1
3	V35254	Valve Body	1
4	V35255A*	Valve Ball	1
5	V35264	3" FP End Plate	2
6	V35258A*	Ball Seat	2
7	V35265*	FKM?(viton type) Valve Body O-Ring	2
8	V25160*	Upper Stem Bushing	1
9	V25060*	Thrust Washer	1
10	V35017	3/8" x 6" SS Body Bolt	6
11	V20018	1/4" SS Lock Washer	4
12	V20019	3/8" 16 SS Hex Nut	4
13	V25020	#10 x 3/4" SS Handle Bolt	1
14	V25121	SS Handle Washer	1
15	V25163*	FKM?(viton type) Stem O-Ring	1



Parts List			
ITEM	QTY	PART NUMBER	DESCRIPTION
1	6	V20018	3/8" LOCKWASHER
2	6	V20019	3/8" HEX NUT
3	1	V25020	3/8" Handle Bolt
4	1	V25060	VALVE STEM THRUST BEARING
5	1	V25121	3/8" Fender Washer
6	1	V25151B	2" FP Stem
7	1	V25153	2" FP Handle
8	1	V25160	Stem Bushing
9	1	V25163	#214 FKM O'RING
10	6	V35017	3/8"-16 x 6" HHCS, 18-8SS
11	1	V35254	3" FP VALVE BODY
12	1	V35255A	3" Full Port Ball
13	2	V35258A	3" FP Ball Seat
14	2	V35264	3" FP End Plate
15	2	V35265	3" FP body O-ring FKM



BANJO CORPORATION  
 150 BANJO DRIVE, CRAWFORDSVILLE, IN 47933  
 WEB SITE: WWW.BANJOCORP.COM  
 E-MAIL: BANJO.SALES@IDEXCORP.COM

THIS DRAWING AND ALL INFORMATION CONTAINED THEREON ARE THE EXCLUSIVE PROPERTY OF BANJO CORPORATION.

UNLESS SPECIFICALLY NOTED, THIS DRAWING AND ITEMS SHOWN ON THIS DRAWING ARE SUBJECT TO CHANGE AT ANY TIME.

DESCRIPTION  
**3" FPT POLY FP VALVE**  
 PART NUMBER  
**V300FP**