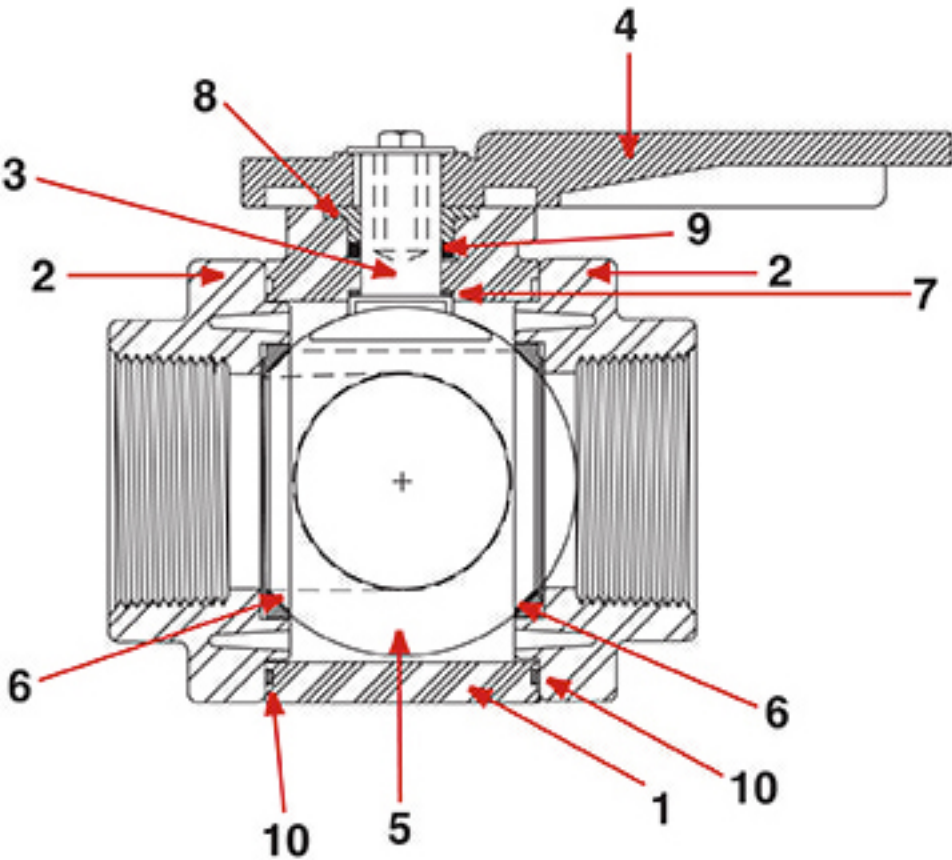
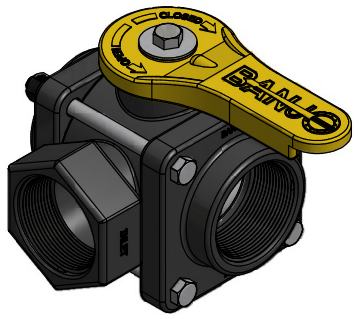
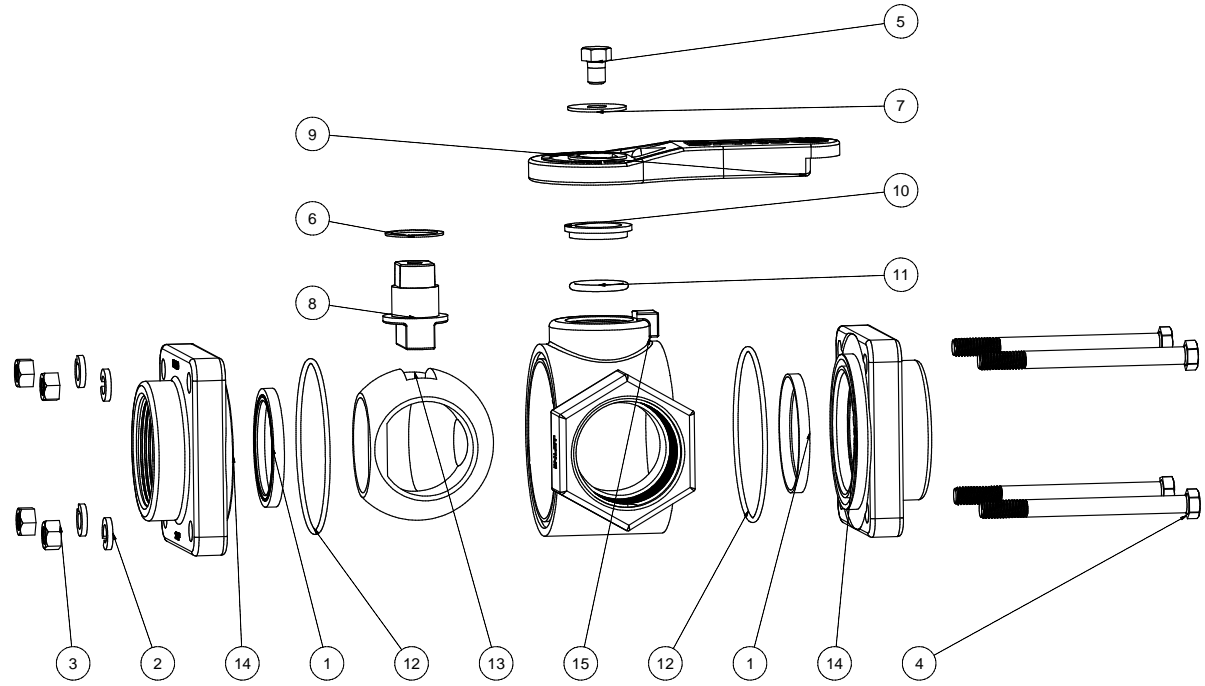
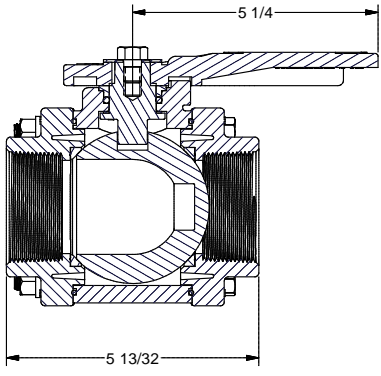
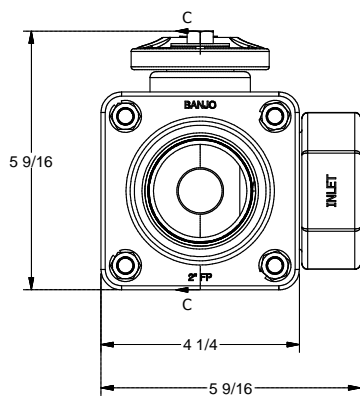


Part Number : V200SL



Item	Part No.	Description	Qty.
1	V25354S	2" Valve Body	1
2	V25356	2" End Plate	2
3	V25151B	Stem	1
4	V25153SH	Handle-Straight	1
5	V25355S	Ball	1
6	V25258	Seats	2
7	V25060	Thrust Bushing	1
8	V25160	Upper Stem Bushing	1
9	V25163	FKM (viton type) Stem O-Ring	1
10	V25264	FKM (viton type) Body O-Ring	2



Parts List			
ITEM	QTY	PART NUMBER	DESCRIPTION
1	2	V25258	3" FP Ball Seat
2	4	V20018	3/8" LOCKWASHER
3	4	V20019	3/8" HEX NUT
4	4	V25017	3/8-16 X 4 1/2" HHCS
5	1	V25020	3/8" Handle Bolt
6	1	V25060	VALVE STEM THRUST BEARING
7	1	V25121	3/8" Fender Washer
8	1	V25151B	2" FP Stem
9	1	V25153SH	2" FP HANDLE
10	1	V25160	Stem Bushing
11	1	V25163	#214 FKM O'RING
12	2	V25264	CUSTOM BODY O-RING
13	1	V25355S	2" FP SL 3-WAY BALL
14	2	V25356	2" FP 3-WAY ENDPLATE
15	1	V25354S	2" SL VALVE BODY
16	1	050DECAL	LOGO DECAL (N/S)
17	1	VL200SL	ARROW DECAL (N/S)

THIS DRAWING AND ALL INFORMATION CONTAINED THEREON ARE THE EXCLUSIVE PROPERTY OF BANJO CORPORATION.

UNLESS SPECIFICALLY NOTED, THIS DRAWING AND ITEMS SHOWN ON THIS DRAWING ARE SUBJECT TO CHANGE AT ANY TIME.



BANJO CORPORATION
 150 BANJO DRIVE, CRAWFORDSVILLE, IN 47933
 WEB SITE: WWW.BANJO.CORP.COM
 E-MAIL: BANJO.SALES@IDEXCORP.COM

DESCRIPTION
2" SL Manifold 3 Way Valve

PART NUMBER
V200SL