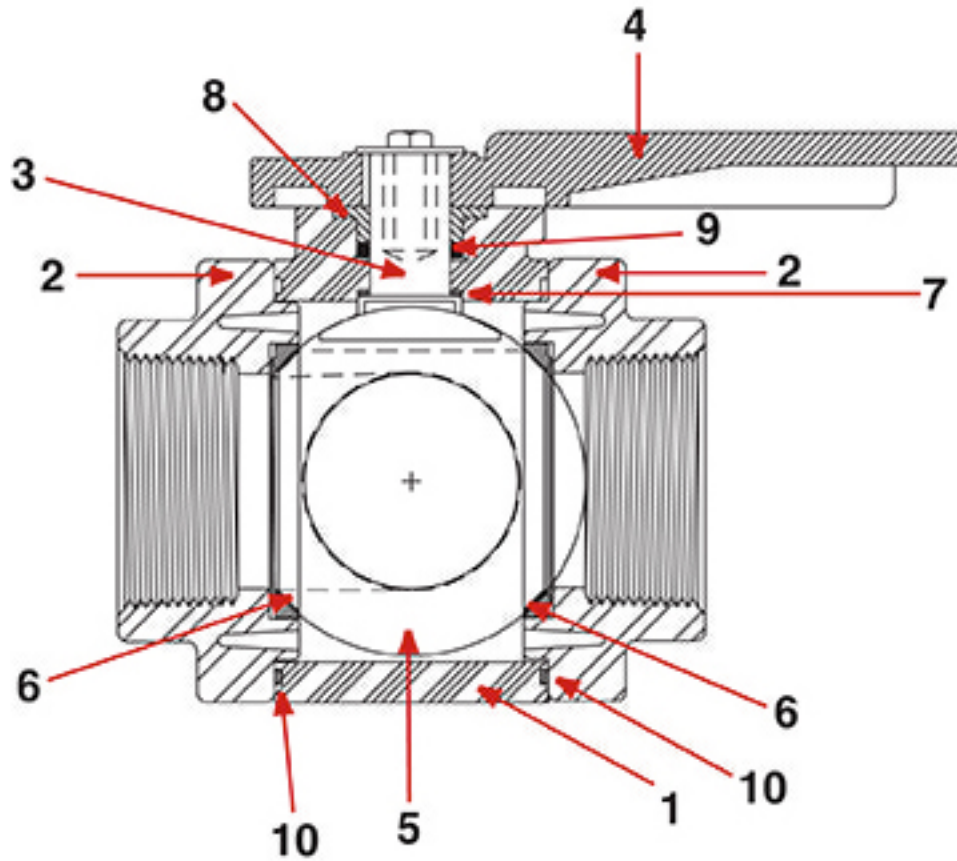
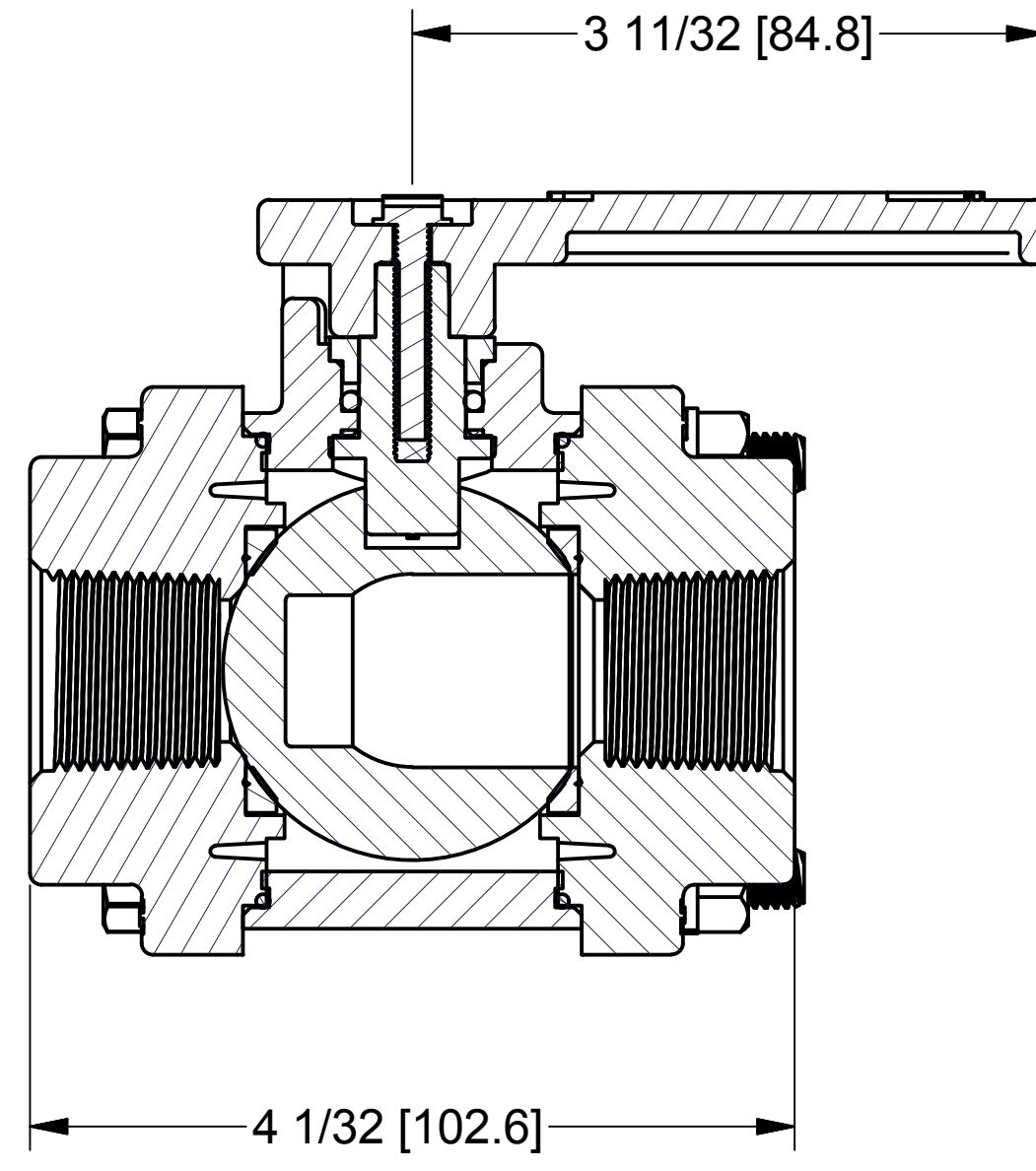
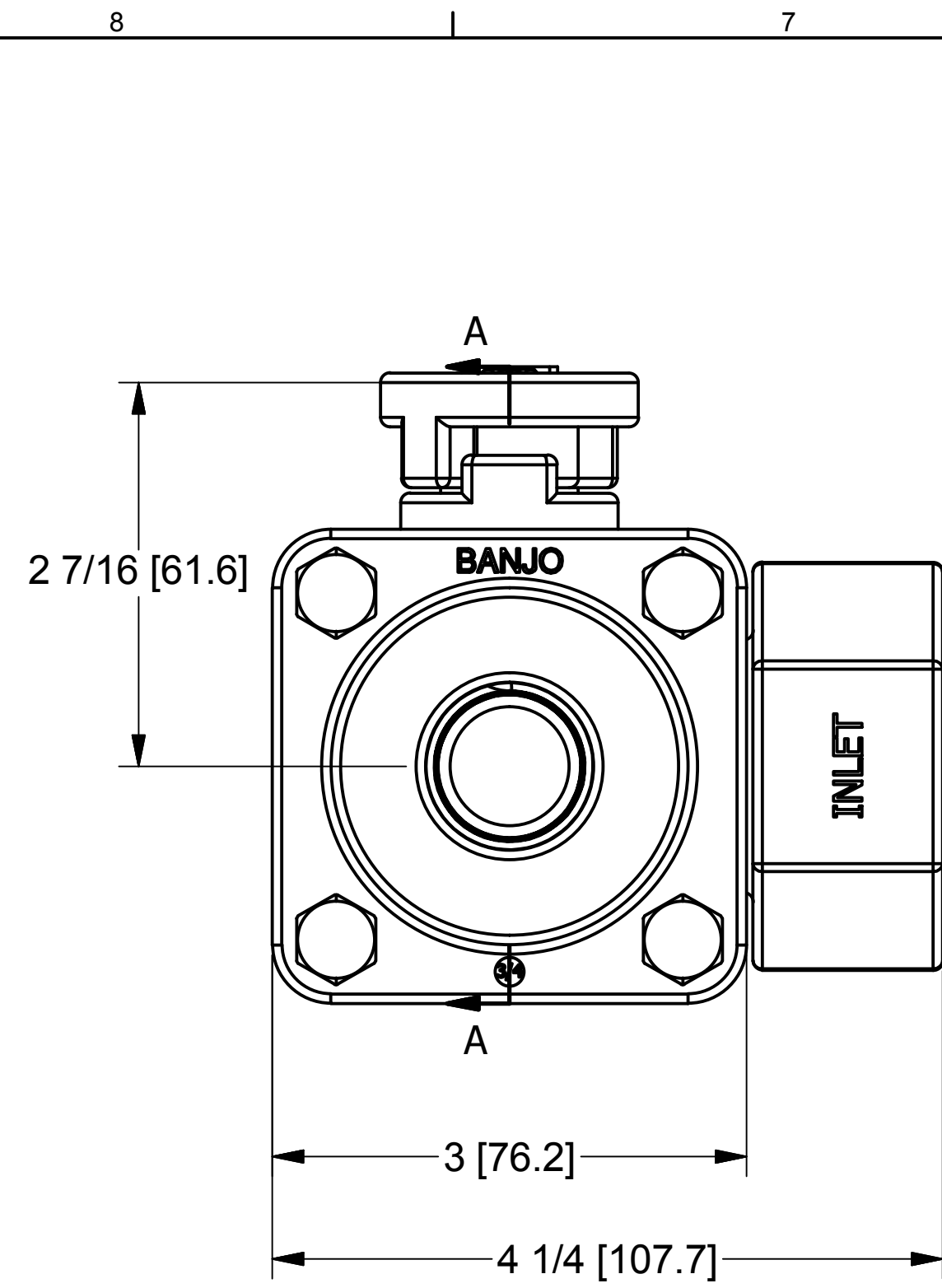


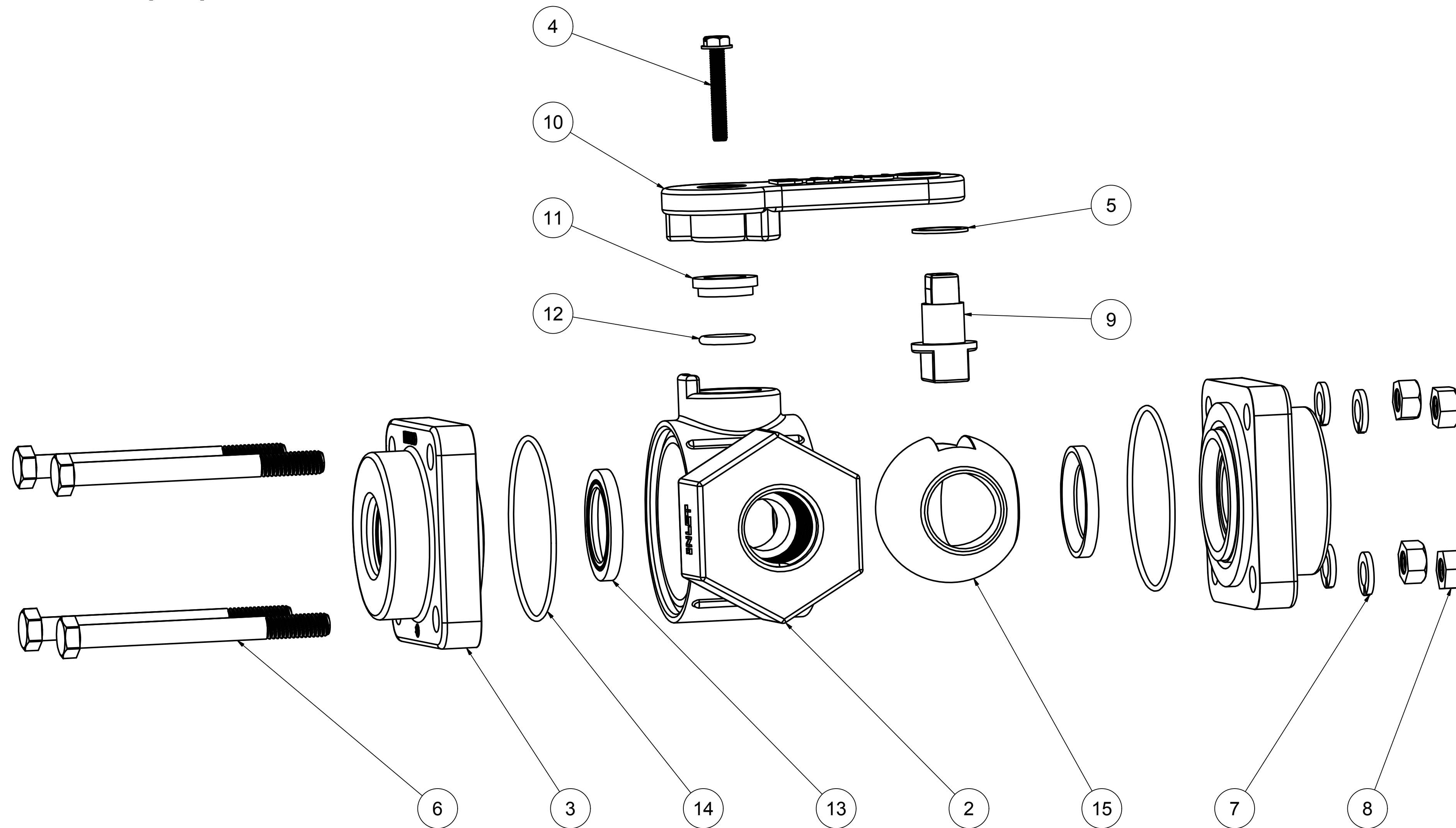
Part Number : V075SL



Item	Part No.	Description	Qty.
1	V07354S	¾" Valve Body	1
1	V10354S	1" Valve Body	1
2	V07357	¾" End Plate	2
2	V10257	1" End Plate	2
3	V10151A	Stem	1
4	V10153A	Handle -Straight	1
5	V10355S	Ball	1
6	V10258	Seats	2
7	V10060	Thrust Bushing	1
8	V10159	Upper Stem Bushing	1
9	V10163	FKM (viton type) Stem O-Ring	1
10	V10264	FKM (viton type) Body O-Ring	2



Parts List			
ITEM	QTY	PART NUMBER	DESCRIPTION
1	1	050DECAL	DECAL (N/S)
2	1	V07354S	SIDE LOAD VALVE BODY
3	2	V07357	3/4" NPT 3-WAY END PLATE
4	1	V10020A	10-32 X 1 1/4" SMS
5	1	V10060	THRUST BEARING
6	4	V10117	5/16 - 18 X 3 1/2" HHCS
7	4	V10118	5/16" LOCKWASHER
8	4	V10119	5/16" HEX NUT
9	1	V10151A	STEM
10	1	V10153A	HANDLE
11	1	V10159	STEM BUSHING
12	1	V10163	#113 O-RING, FKM
13	2	V10258	3" FP Ball Seat
14	2	V10264	#36 O'RING
15	1	V10355S	1" Side Load Ball



THIS DRAWING AND ALL INFORMATION CONTAINED THEREON ARE THE EXCLUSIVE PROPERTY OF BANJO CORPORATION.

UNLESS SPECIFICALLY NOTED, THIS DRAWING AND ITEMS SHOWN ON THIS DRAWING ARE SUBJECT TO CHANGE AT ANY TIME.

BANJO CORPORATION 150 BANJO DRIVE, CRAWFORDSVILLE, IN 47933 WEB SITE: WWW.BANJOCORP.COM E-MAIL: BANJOSALES@IDEXCORP.COM	
DESCRIPTION	3/4" SIDE LOAD VALVE
PART NUMBER	V075SL