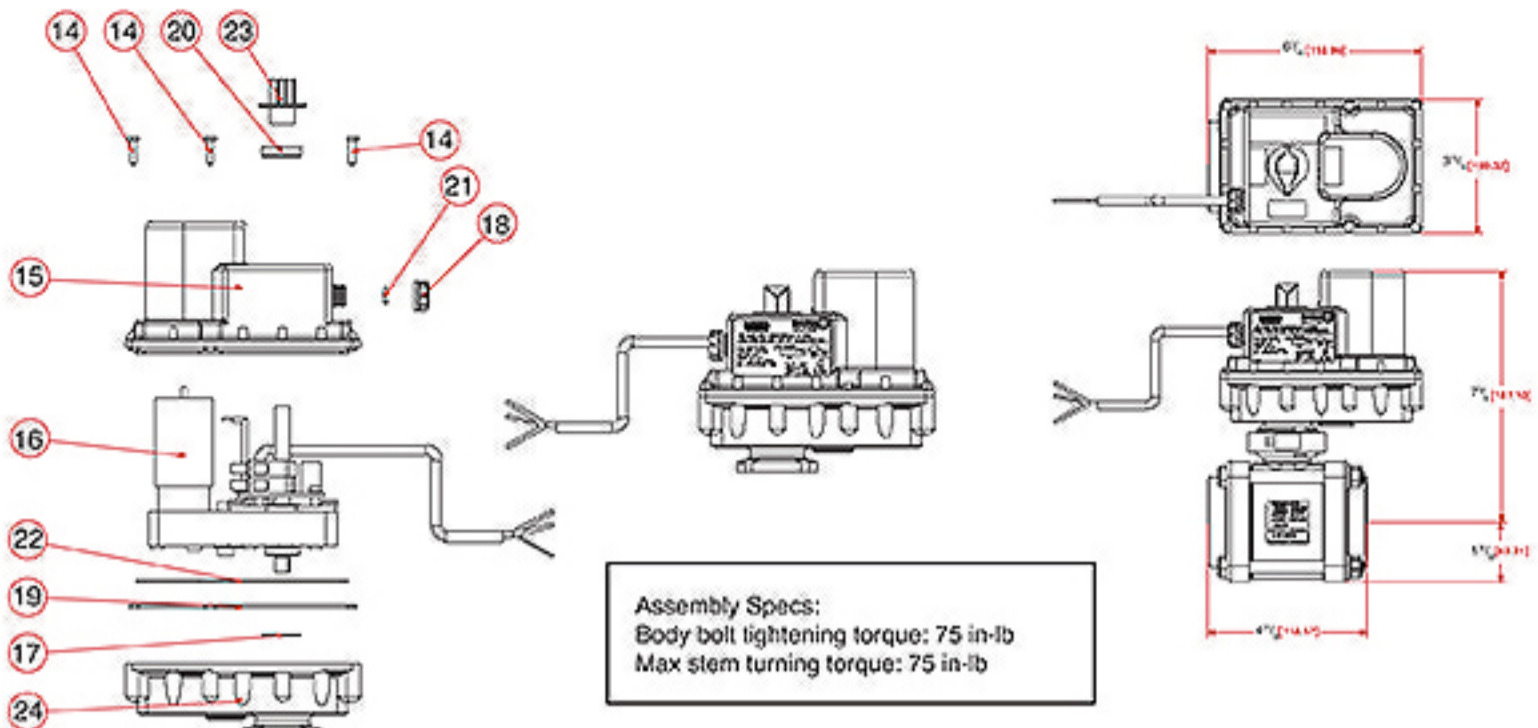
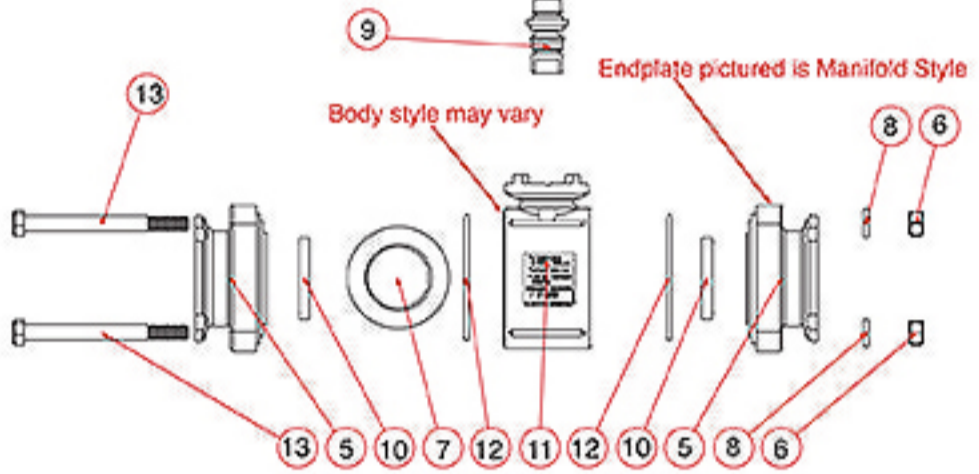
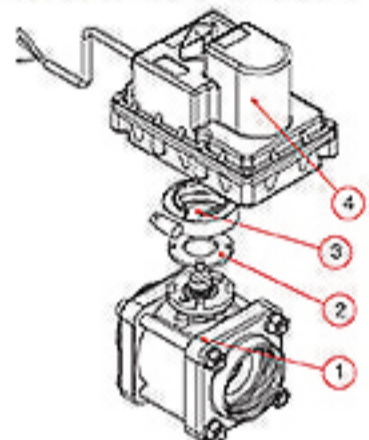


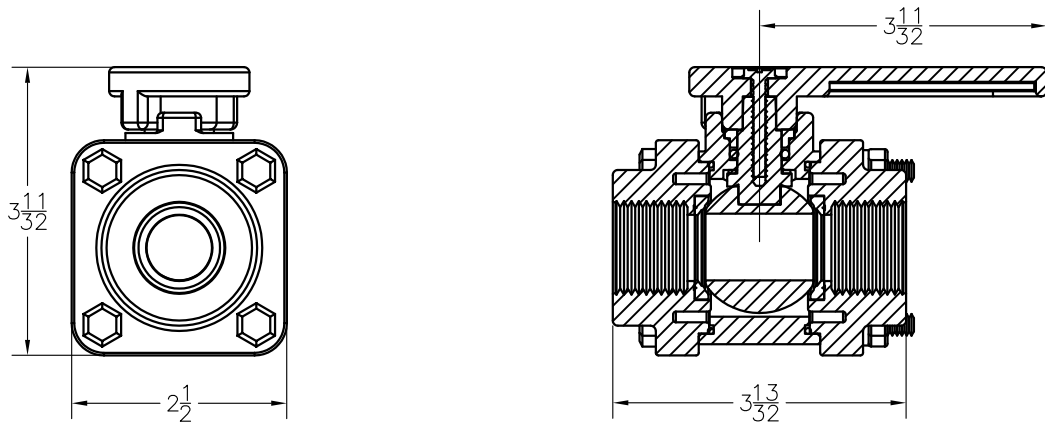
Part Number : EV075



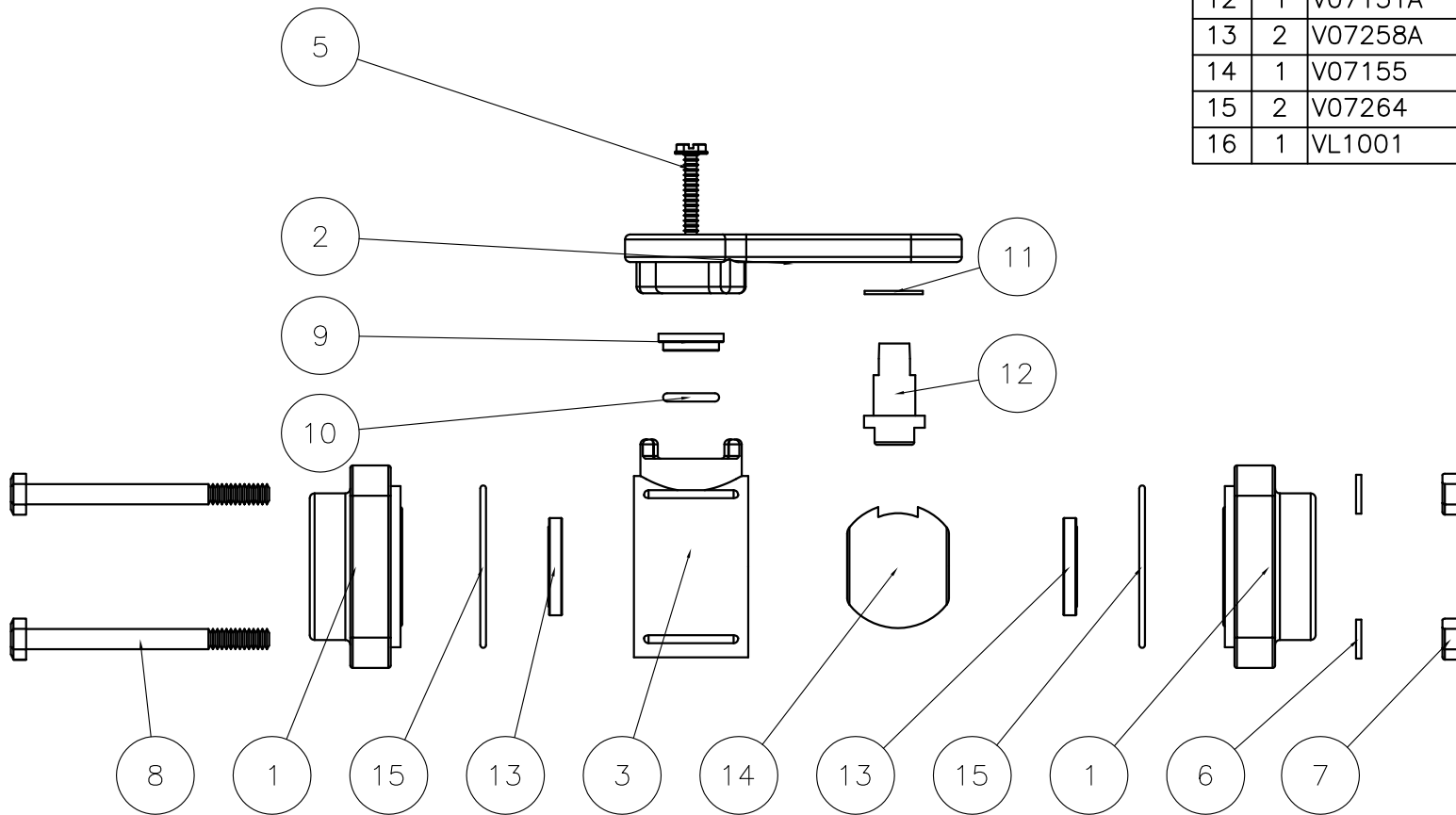
Fast repair replacement options.



Item	Part No.	Description	Qty.
1	EV075XRI	3/4" Electric Valve Sub Assembly	1
2	MVE004	Electric Valve Flange Gasket	1
3	FC100	1" Flange Clamp	1
4	EV3100	3/4 Second 3 Wire Motor Assembly	1
5	VE07357	3/4" Threaded End Plate	2
6	V10119	5/16" SS Body Nut	4
7	VE10155SSH	1" 316 SS Hollow Ball	1
8	V10118	5/16" SS Lock Washer	4
9	MEV10151	1" SS Stem w/Seals	1
10	VE10258A	1" Electric Ball Seat	2
11	MEV10254A	1" Body	1
12	VE10264	1" FKM(viton type) Body O-Ring	2
13	V10117	5/16" x 3 1/2" SS Body Bolt	4
14	VE15220	Housing Screw	6
15	MEV10102A	Housing Top for Small Motor	1
16	VE4984	3/4 Second 3 Wire On/Off Motor	1
17	MVE105	Motor Shaft Gasket	1
18	MVE002	Heyco 1/4" Threaded Bushing	1
19	MVE104	Outer Housing Gasket	1
20	VE109E	Indicator Seal	1
21	MVE007	3mm x 5mm FKM (viton type) O-Ring	1
22	MVE106	Inner Housing Gasket	1
23	VE107B	Flow Indicator	1
24	MEV10101	Housing Bottom for Small Motor	1
25	EV10210	Repair Kit (Includes items 2, 9, 10, 12)	1



Parts List			
Item	Qty	PART NO.	DESCRIPTION
1	2	V07257	3/4" END PLATE
2	1	V10153A	1" HANDLE
3	1	V07254	3/4" BODY
5	1	V10020A	HANDLE BOLT
6	4	V07018	1/4" LOCKWASHER
7	4	V07019	1/4" BODY NUT
8	4	V07017	BODY BOLT
9	1	V07159	UPPER STEM BUSHING
10	1	V07163	STEM O'RING
11	1	V07060	THRUST BEARING
12	1	V07151A	STEM
13	2	V07258A	SEAT
14	1	V07155	BALL
15	2	V07264	BODY O'RING
16	1	VL1001	PRESSURE LABEL (N/S)



BANJO
LIQUID HANDLING PRODUCTS®

BANJO CORPORATION
150 BANJO DR. • CRAWFORDSVILLE, IN 47933

PART NO. V075

TITLE
3/4" BALL VALVE

THIS DRAWING AND ALL INFORMATION CONTAINED THEREON ARE THE EXCLUSIVE PROPERTY OF BANJO CORPORATION. UNLESS SPECIFICALLY NOTED, THIS DRAWING AND ITEMS SHOWN ON THIS DRAWING ARE SUBJECT TO CHANGE AT ANY TIME.