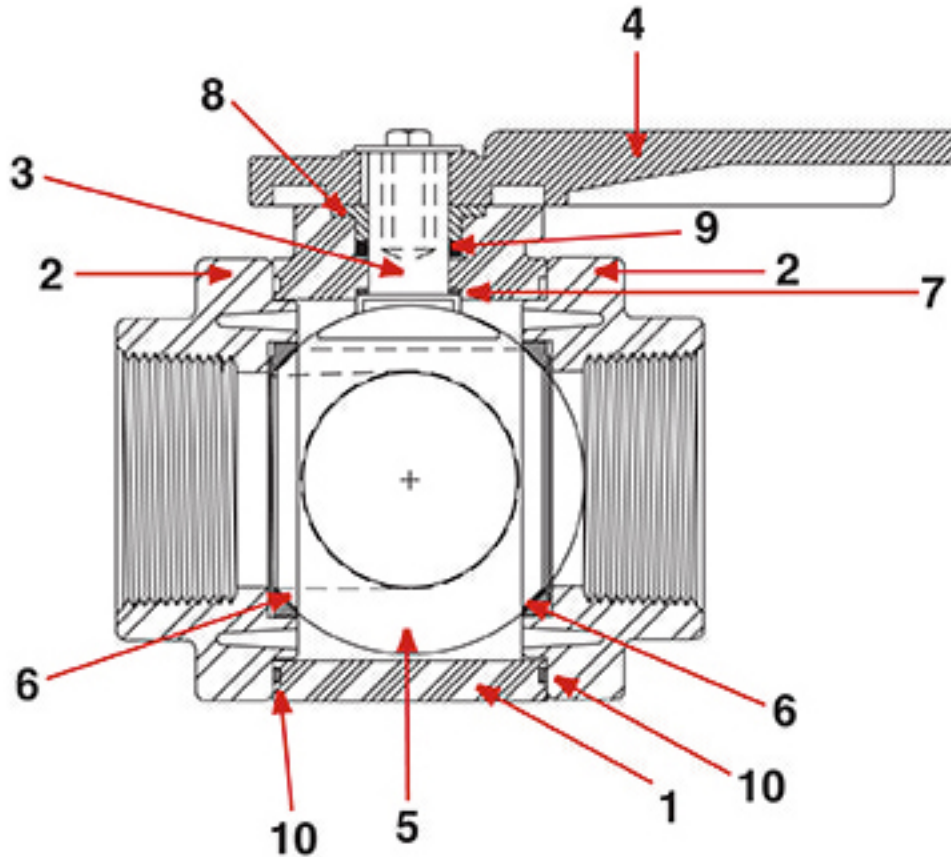
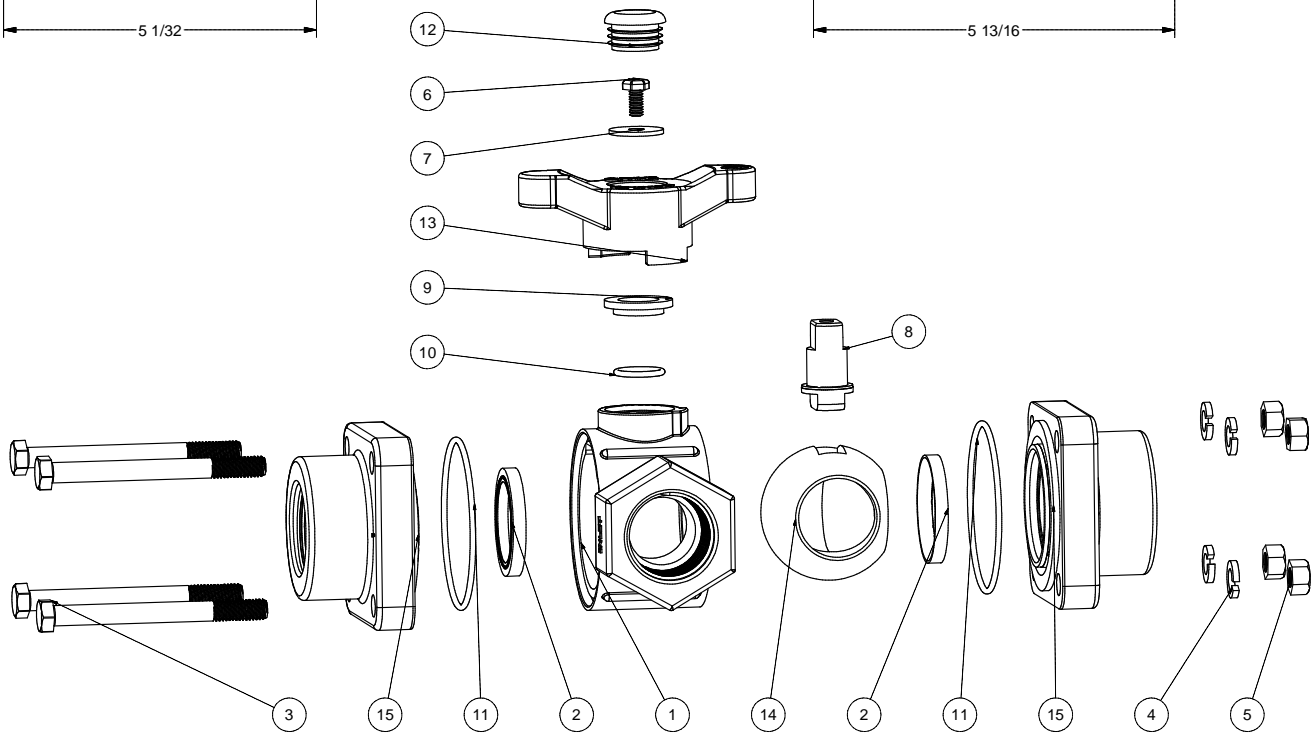
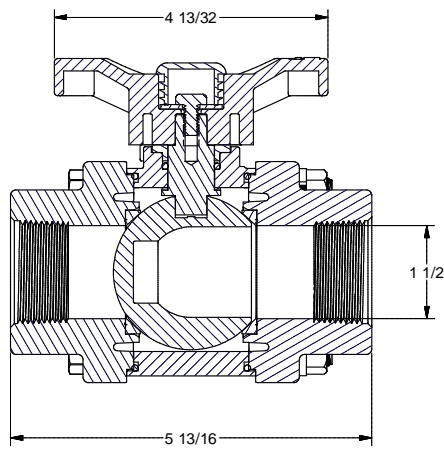
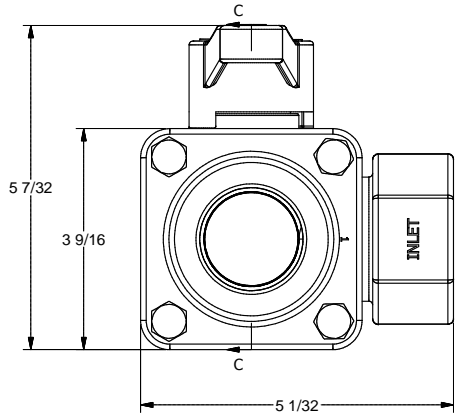


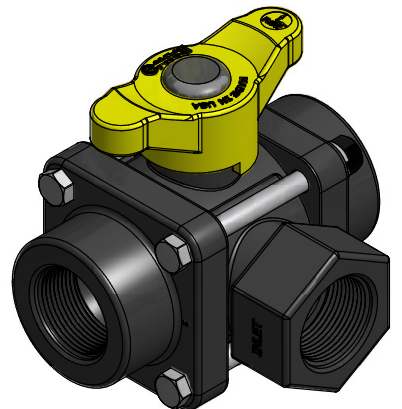
Part Number : V125SL



Item	Part No.	Description	Qty.
1	V20344S	1¼" Valve Body	1
1	V20354S	1½" Valve Body	1
2	V20267	1¼" End Plate	2
2	V20257	1½" End Plate	2
3	V20151M	Stem	1
4	V20353TS	Handle -T	1
4	V20153	Handle-Straight	1
5	V20355S	Ball	1
6	VE20258A	Seats	2
7	V20060	Thrust Bushing	1
8	V20159	Upper Stem Bushing	1
9	V20163	FKM (viton type) Stem O-Ring	1
10	V20264	FKM (viton type) Body O-Ring	2



Parts List			
ITEM	QTY	PART NUMBER	DESCRIPTION
1	1	V20344S	1 1/4" SL VALVE BODY
2	2	VE20258A	2" VE Seat TFM
3	4	V20017	3/8-16 X 4" HHCS
4	4	V20018	3/8" LOCKWASHER
5	4	V20019	3/8" HEX NUT
6	1	V20020	2" handle Bolt
7	1	V20021	Handle Washer
8	1	V20151M	VALVE STEM W/ BEARING
9	1	V20159	2" STEM BUSHING
10	1	V20163	#116 O'RING, FKM
11	2	V20264	#151 O'RING, FKM
12	1	V20353C	1 1/8" CAPLUG
13	1	V20353TS	2" Side Load T-Handle
14	1	V20355S	2" 3-Way SL Ball
15	2	V20267	1 1/4" NPT END PLATE



THIS DRAWING AND ALL INFORMATION CONTAINED THEREON ARE THE EXCLUSIVE PROPERTY OF BANJO CORPORATION. UNLESS SPECIFICALLY NOTED, THIS DRAWING AND ITEMS SHOWN ON THIS DRAWING ARE SUBJECT TO CHANGE AT ANY TIME.

BANJO CORPORATION
 150 BANJO DRIVE, CRAWFORDSVILLE, IN 47933
 WEB SITE: WWW.BANJOCORP.COM
 E-MAIL: BANJOSALES@IDEXCORP.COM

DESCRIPTION: 1 1/4" NPT SIDE LOAD VALVE ASSY
 PART NUMBER: V125SL