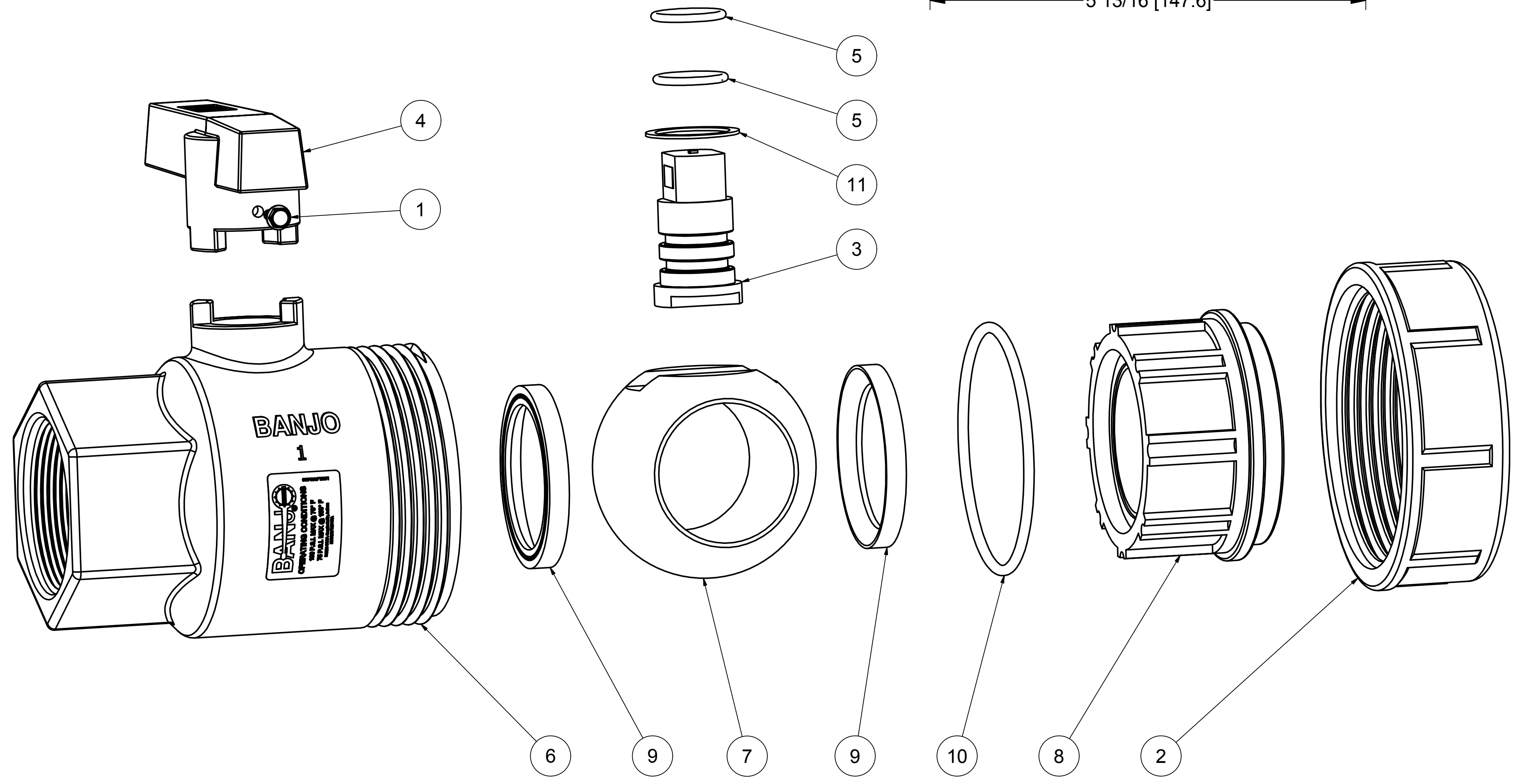
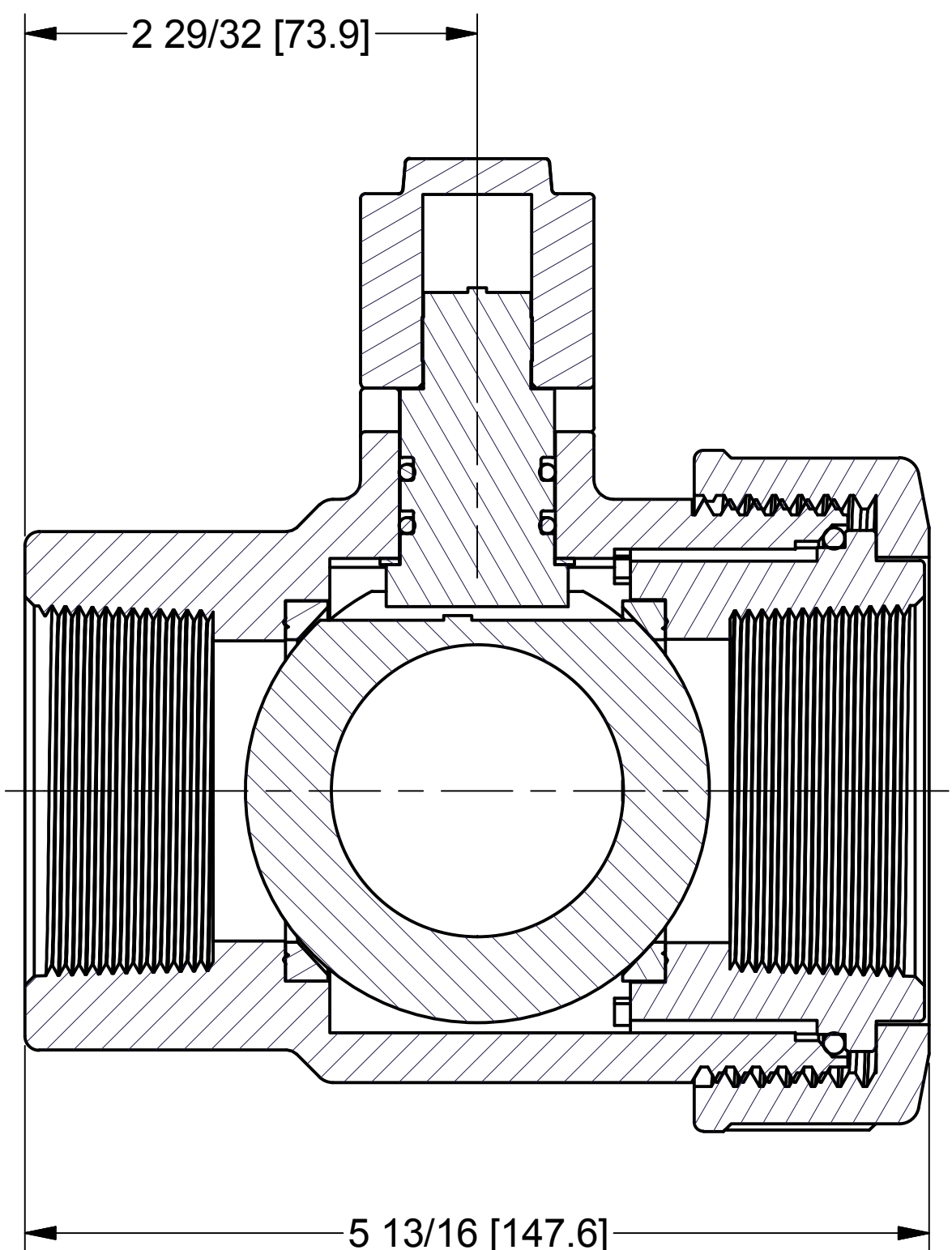
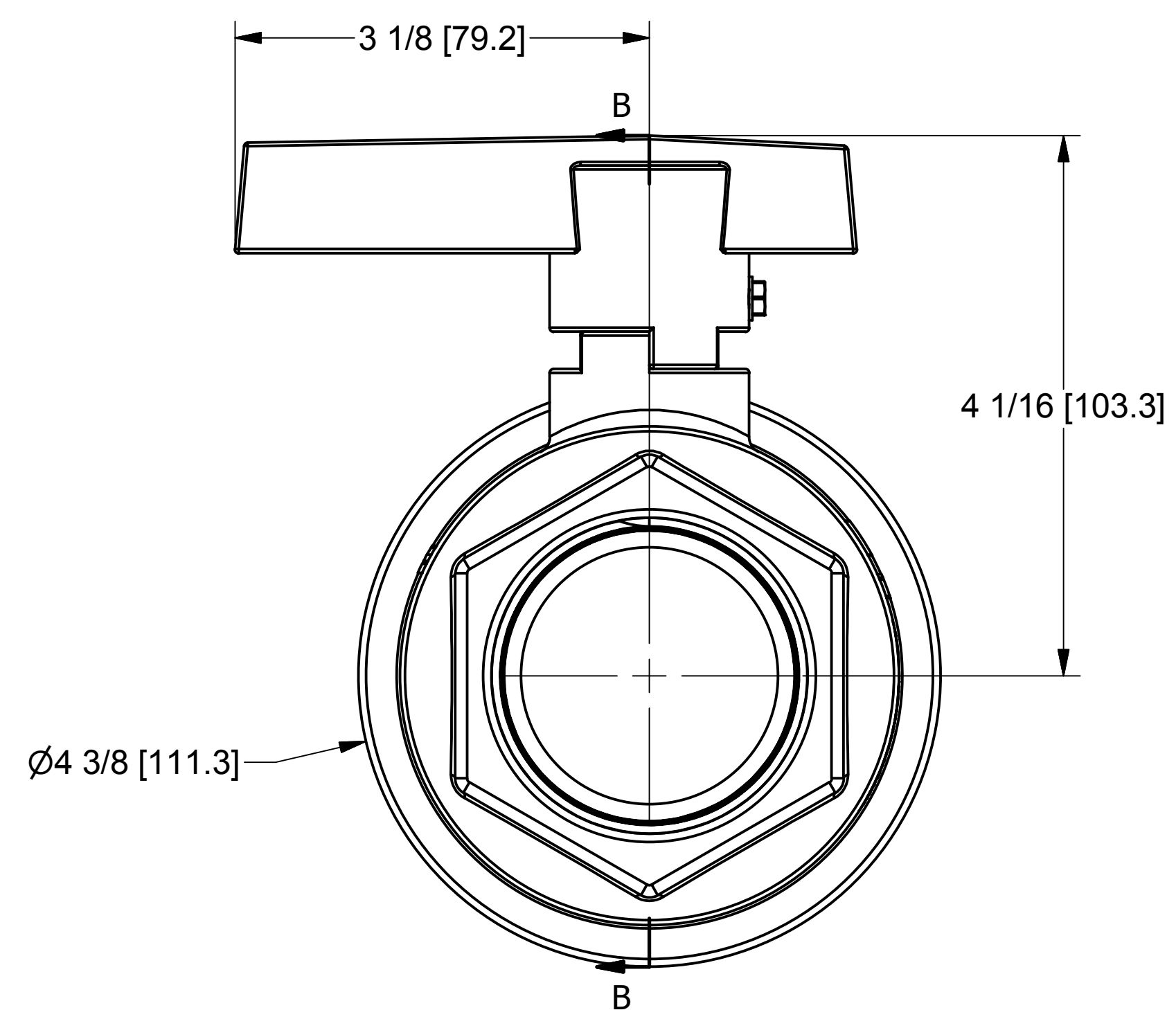


Parts List			
ITEM	QTY	PART NUMBER	DESCRIPTION
1	1	UV15220	#6 X 5/8" HWH SMS
2	1	UV20150	2" UV CAP
3	1	UV20151	2" UV STEM
4	1	UV20153	2" Union Valve Handle
5	2	UV20163	#117 O'RING EPDM
6	1	UV20254	2" UV BODY
7	1	UV20255	2" UV BALL
8	1	UV20257	2" UV END PLATE
9	2	UV20258	2" UV Seat
10	1	UV20264	#235 O'RING EPDM
11	1	V25060	VALVE STEM THRUST BEARING



THIS DRAWING AND ALL INFORMATION CONTAINED THEREON ARE THE EXCLUSIVE PROPERTY OF BANJO CORPORATION.

UNLESS SPECIFICALLY NOTED, THIS DRAWING AND ITEMS SHOWN ON THIS DRAWING ARE SUBJECT TO CHANGE AT ANY TIME.

BANJO CORPORATION	
150 BANJO DRIVE, CRAWFORDSVILLE, IN 47933	
WEB SITE: WWW.BANJOCORP.COM	
E-MAIL: SALES1@BANJOCORP.COM	
DESCRIPTION	2" FP UNION VALVE
PART NUMBER	UV200FP