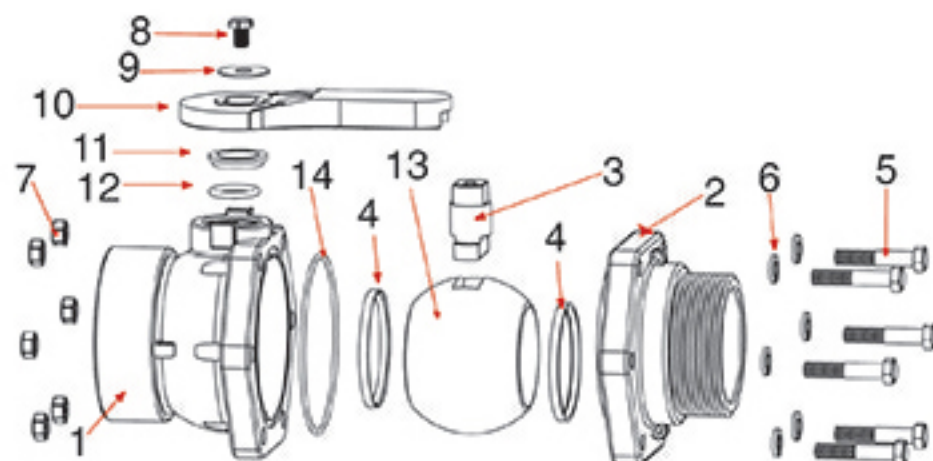
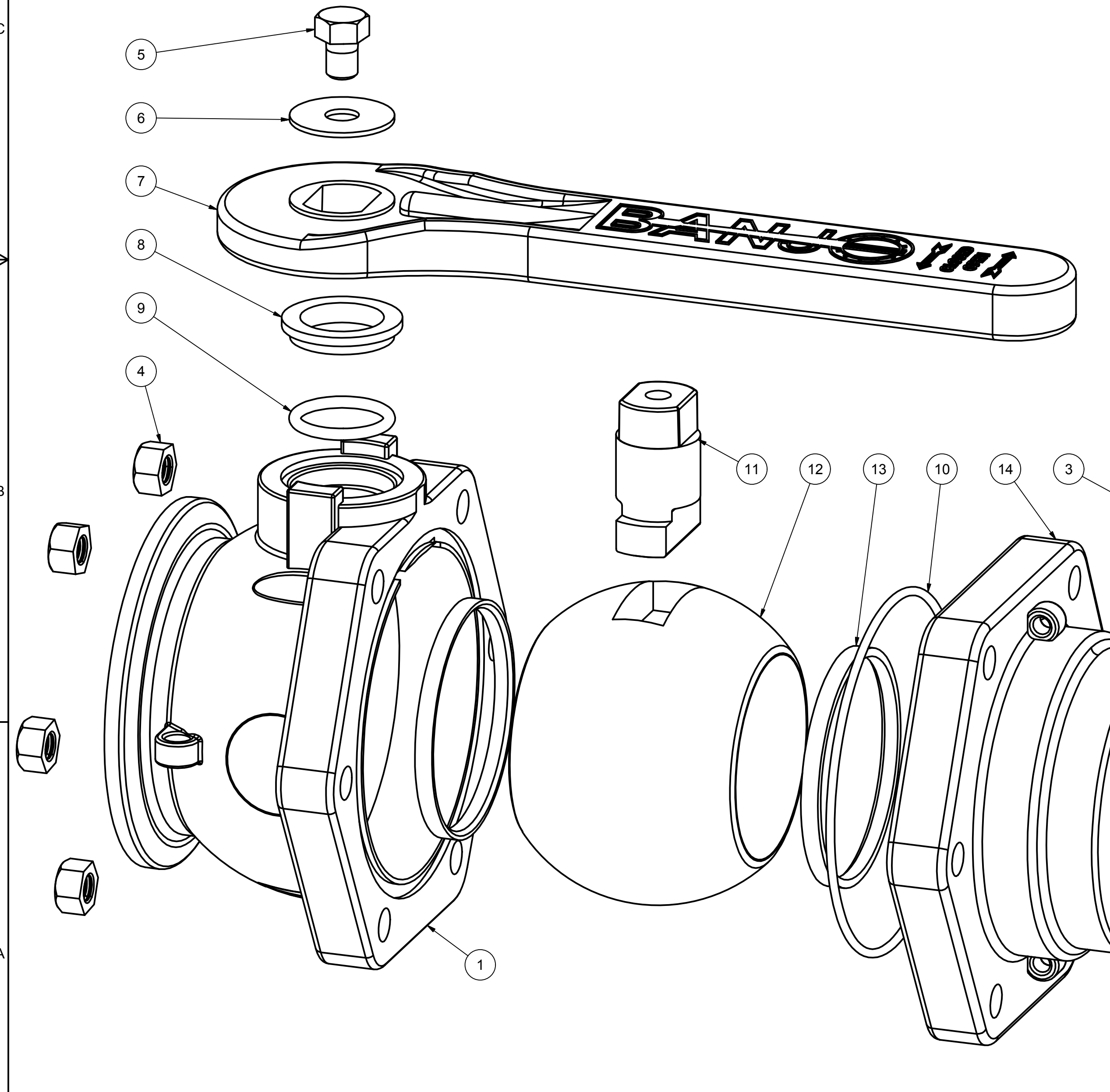
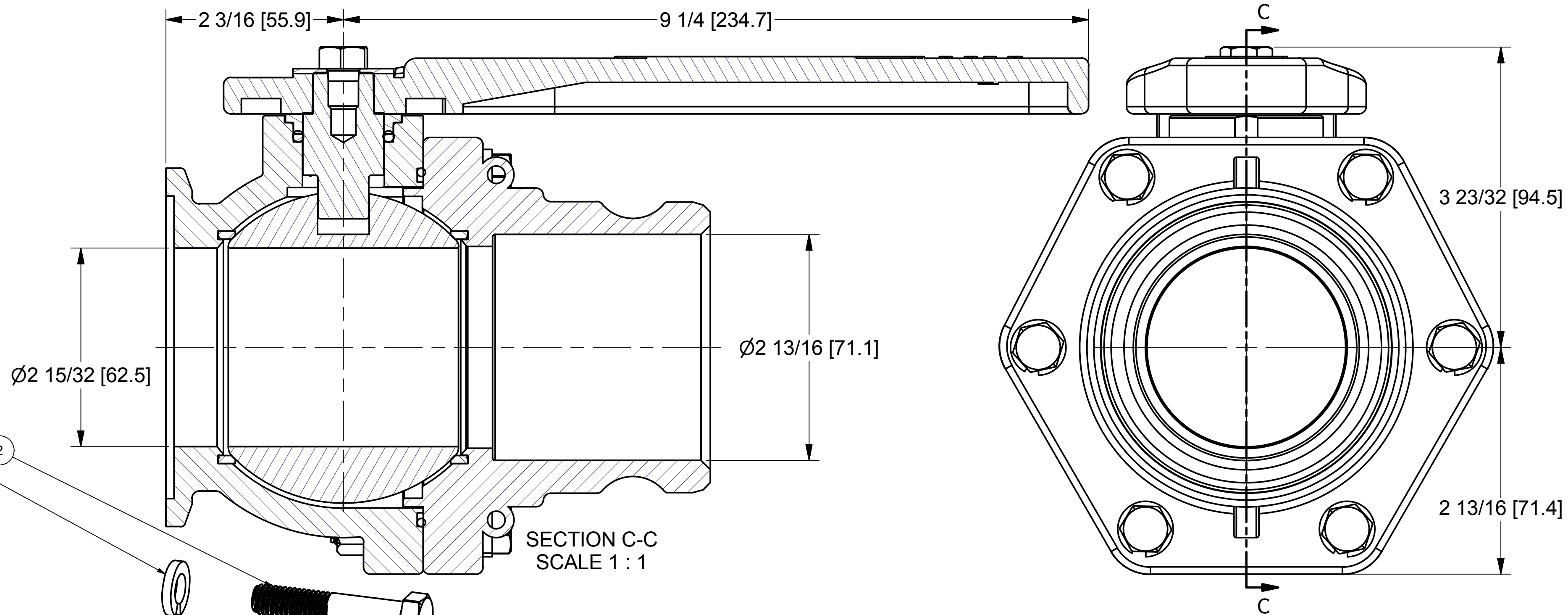
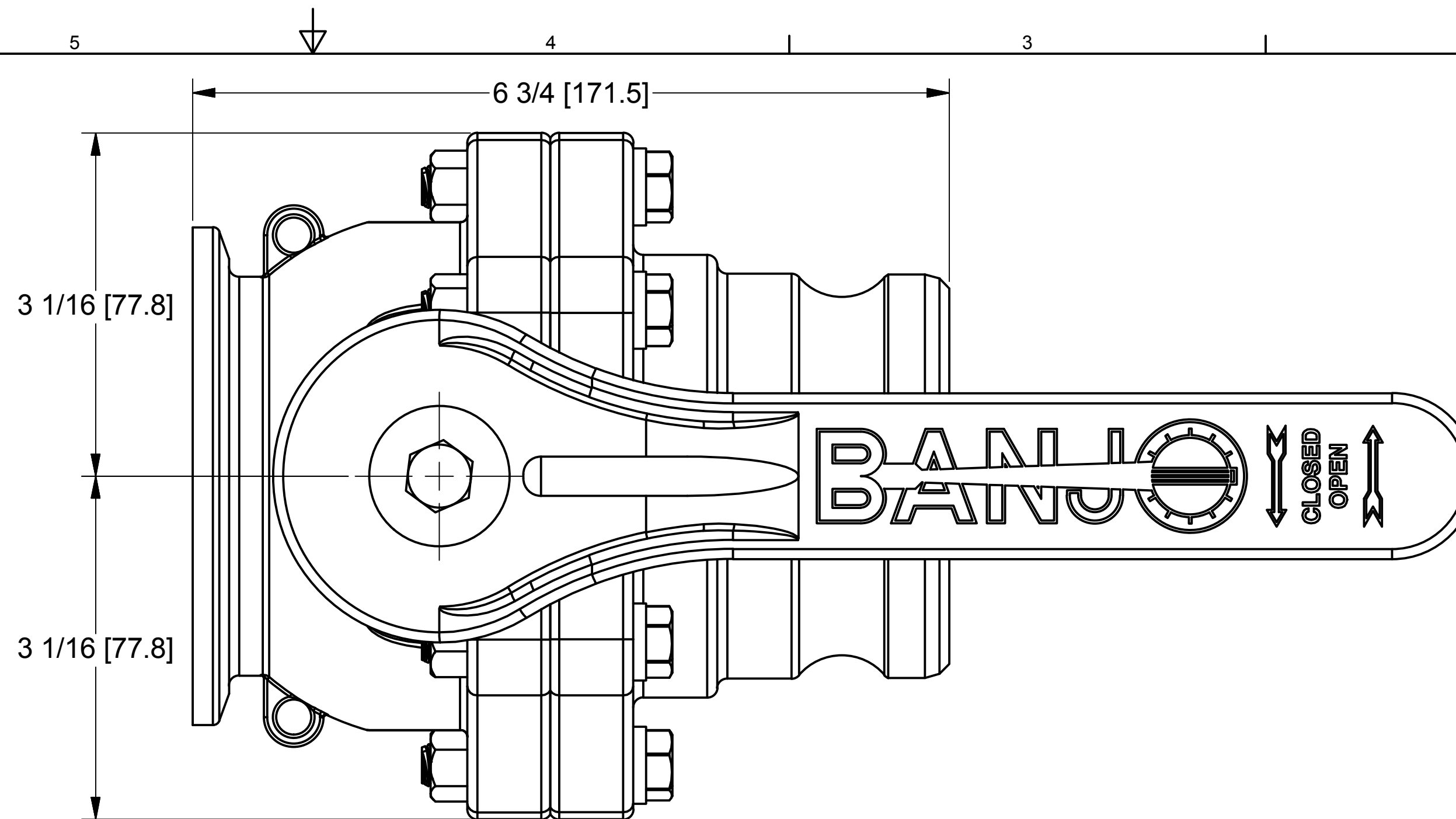


## Part Number : MVSF300




| Item | Part No. | Description                      | Qty. |
|------|----------|----------------------------------|------|
| 1    | MVS30254 | 3" Stubby Body w/Manifold Flange | 1    |
| 2    | VSF30264 | 3" Stubby F End Plate            | 1    |
| 3    | VS25151B | Short Stem                       | 1    |
| 4    | VS30258  | 3" Stubby Seat                   | 2    |
| 5    | V20010SS | 3/8" - 16 x 2" SS Bolt           | 6    |
| 6    | V20018   | 3/8" SS Lock Washer              | 6    |
| 7    | V20019   | 3/8" 16 SS Hex Nut               | 6    |
| 8    | V25020   | 3/8" x 1/2" Handle Bolt          | 1    |
| 9    | V25121   | Handle Washer                    | 1    |
| 10   | V25153   | Handle-Straight                  | 1    |
| 11   | V25160   | Upper Stem Bushing               | 1    |
| 12   | V25163   | FKM (viton type) Stem O-Ring     | 1    |
| 13   | VS30255  | 3" Ball                          | 1    |
| 14   | V30265   | FKM (viton type) Body O-Ring     | 1    |

| Parts List |     |             |                         |
|------------|-----|-------------|-------------------------|
| ITEM       | QTY | PART NUMBER | DESCRIPTION             |
| 1          | 1   | MVS30254    | 3" MANIFOLD STUBBY BODY |
| 2          | 6   | V20010SS    | 3/8-16 X 2" HHCS        |
| 3          | 6   | V20018      | 3/8" LOCKWASHER         |
| 4          | 6   | V20019      | 3/8" HEX NUT            |
| 5          | 1   | V25020      | 3/8" Handle Bolt        |
| 6          | 1   | V25121      | 3/8" Fender Washer      |
| 7          | 1   | V25153      | 2" FP Handle            |
| 8          | 1   | V25160      | Stem Bushing            |
| 9          | 1   | V25163      | #214 FKM O'RING         |
| 10         | 1   | V30265      | #156 FKM O'RING         |
| 11         | 1   | VS25151B    | 2" FP Stubby Stem       |
| 12         | 1   | VS30255     | 3" VALVE BALL           |
| 13         | 2   | VS30258     | 3" Stubby Valve Seat    |
| 14         | 1   | VSF30264    | 3" Stubby F Endplate    |



THIS DRAWING AND ALL INFORMATION CONTAINED THEREON ARE THE EXCLUSIVE PROPERTY OF BANJO CORPORATION.

UNLESS SPECIFICALLY NOTED, THIS DRAWING AND ITEMS SHOWN ON THIS DRAWING ARE SUBJECT TO CHANGE AT ANY TIME.



**BANJO CORPORATION**  
 150 BANJO DRIVE, CRAWFORDSVILLE, IN 47933  
 WEB SITE: WWW.BANJOCORP.COM  
 E-MAIL: SALES1@BANJOCORP.COM

DESCRIPTION  
**Stubby Valve, 3" Male Adapter x 3" Manifold Flange, Long Handle**

PART NUMBER  
**MVSF300**