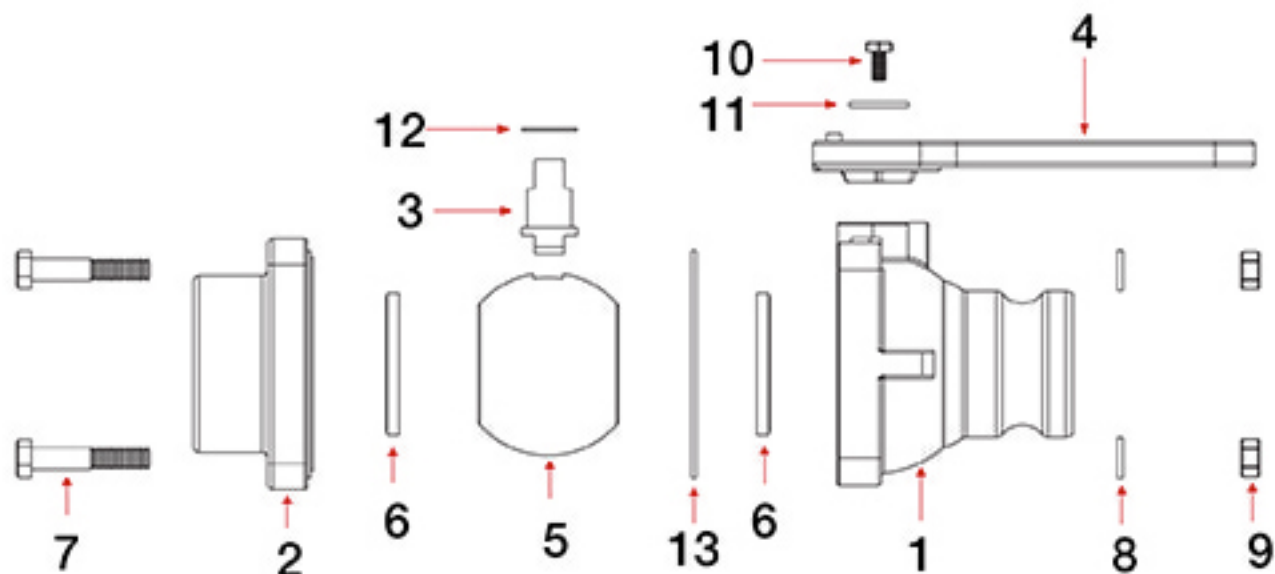
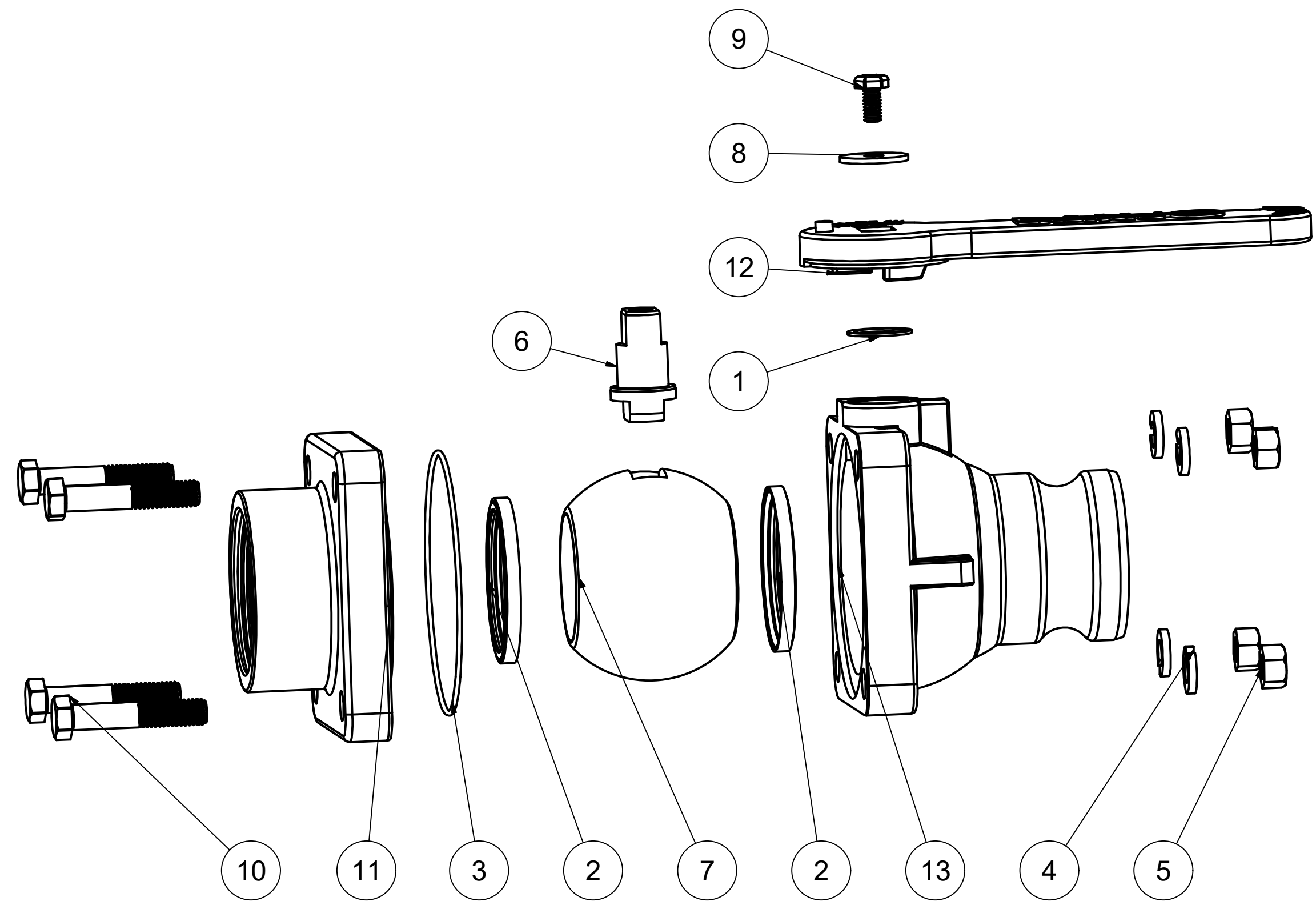
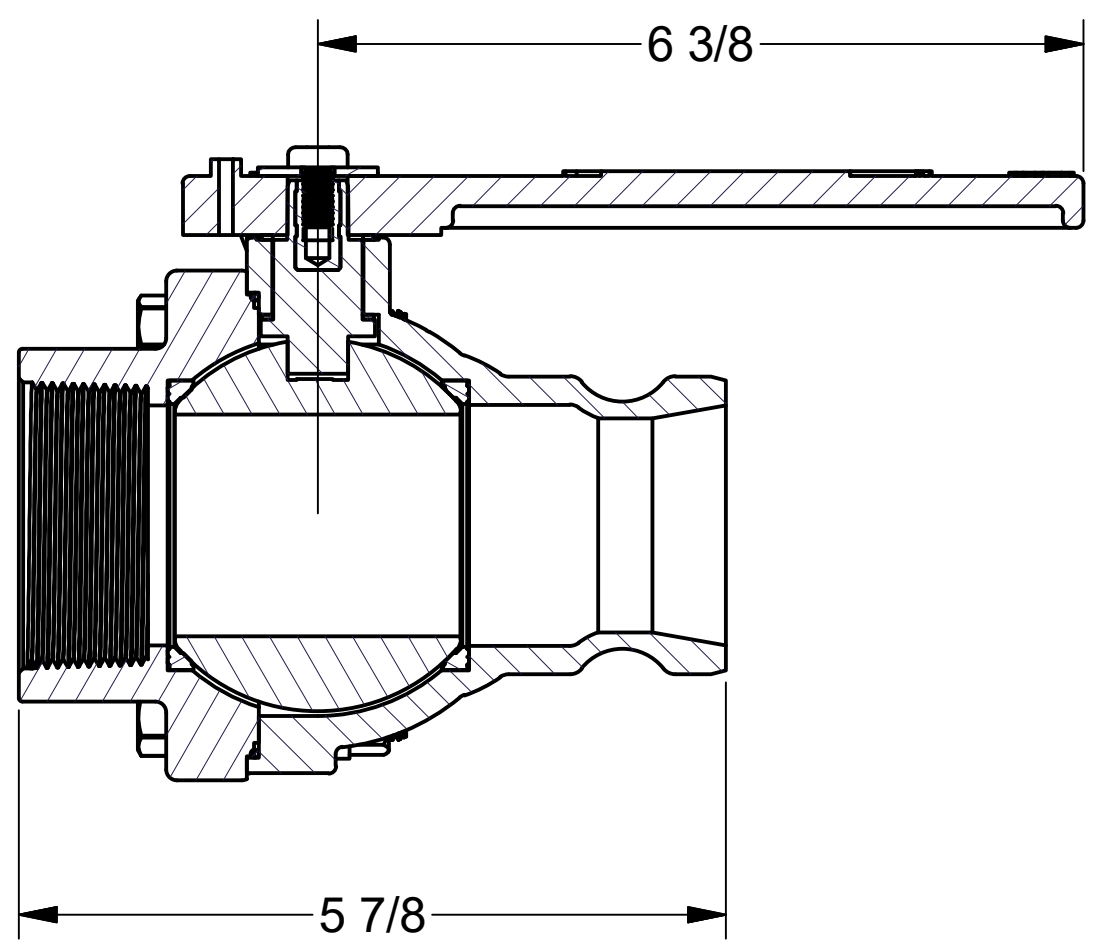
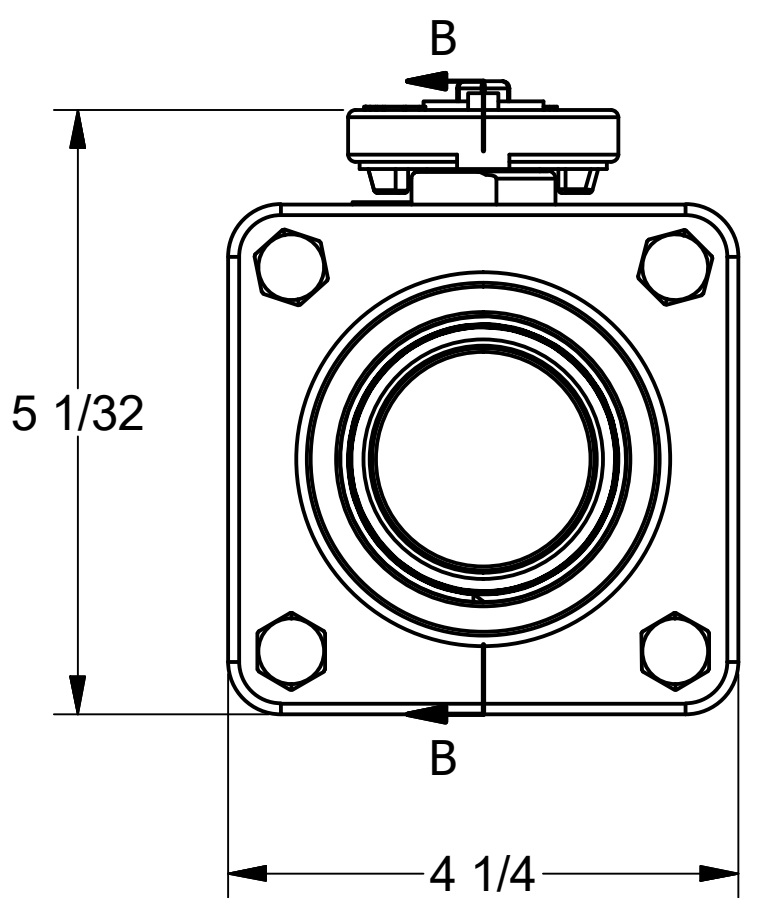


Part Number : VSF204FP



Item	Part No.	Description	Qty.
1	VF25254	2" FP Stubby Male Quick Connect Body	1
2	VS25356	2" FP Stubby Female NPT End Plate	1
3	VS20151	Stem	1
4	VS25153	2" FP Stubby Handle	1
5	VS25255	2" FP Stubby Ball	1
6	VS25258AR1	2" FP Stubby Seat	2
7	V20010SS	3/8" - 16 x 2" SS Bolt	4
8	V20018	3/8" SS Lock Washer	4
9	V20019	3/8" 16 SS Hex Nut	4
10	V20020	Retaining Bearing	1
11	V20021	Handle Washer	1
12	V20060	PFTE Bearing Gasket	2
13	V25214V	FKM (viton type) Body Seal	1

Parts List			
ITEM	QTY	PART NUMBER	DESCRIPTION
1	1	V20060	VALVE STEM THRUST BEARING
2	2	VS25258AR1	3" FP Ball Seat
3	1	V25214V	#44 O-RING, FKM
4	4	V20018	3/8" LOCKWASHER
5	4	V20019	3/8" HEX NUT
6	1	VS20151	VALVE STEM W/ BEARING
7	1	VS25255	2" Stubby Full Port Ball
8	1	V20021	Handle Washer
9	1	V20020	2" handle Bolt
10	4	V20010SS	3/8-16 X 2" HHCS
11	1	VS25356	2" FP STUBBY ENDPLATE
12	1	VS25153	2" FP STUBBY HANDLE
13	1	VF25254	2" FP MALE ADAPTER STUBBY BODY



THIS DRAWING AND ALL INFORMATION CONTAINED THEREON ARE THE EXCLUSIVE PROPERTY OF BANJO CORPORATION.
UNLESS SPECIFICALLY NOTED, THIS DRAWING AND ITEMS SHOWN ON THIS DRAWING ARE SUBJECT TO CHANGE AT ANY TIME.

BANJO CORPORATION
 150 BANJO DRIVE, CRAWFORDSVILLE, IN 47933
 WEB SITE: WWW.BANJOCORP.COM
 E-MAIL: BANJOSALES@IDEXCORP.COM

DESCRIPTION: 2" FP MALE ADPTR X FNPT STUBBY VALVE
 PART NUMBER: VSF204FP