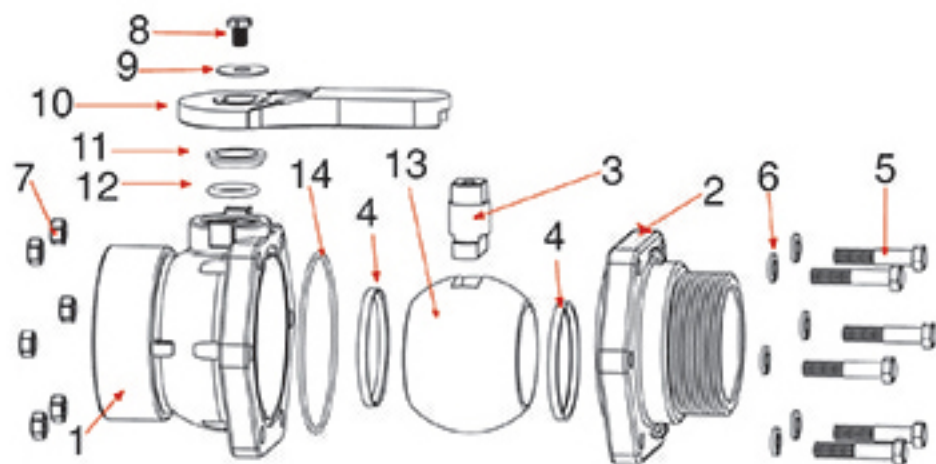
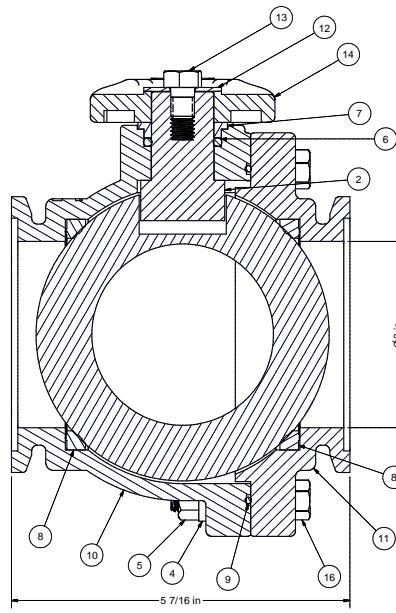


## Part Number : MVS300CFFP

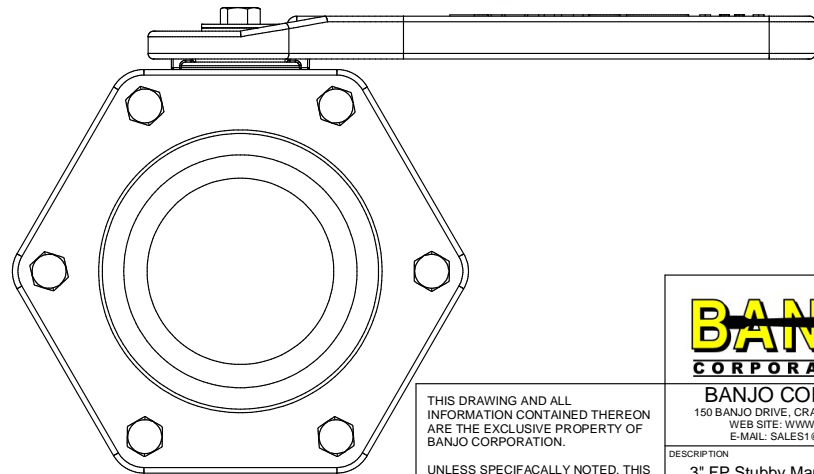
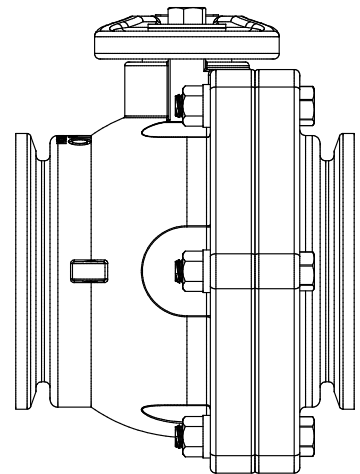
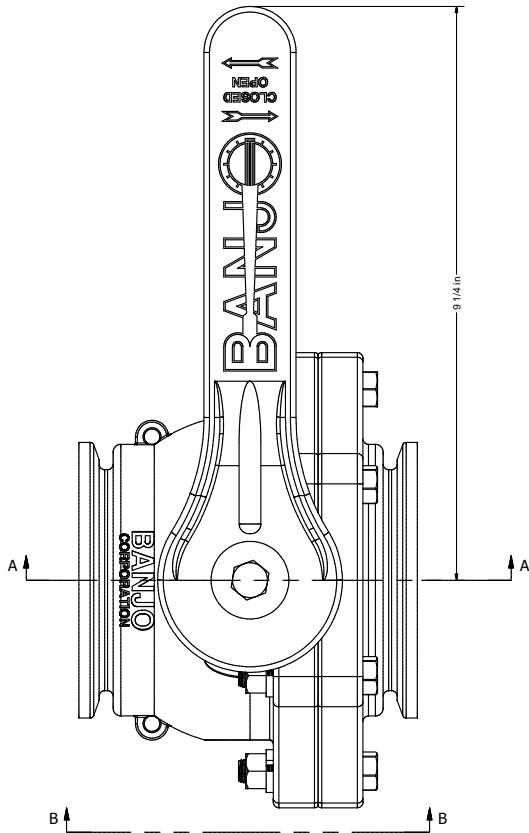


Item	Part No.	Description	Qty.
1	MVS35254	3" FP Stubby Body	1
2	VS35278	3" FP Stubby End Plate	1
3	VS25151B	Short Stem	1
4	VS35258	3" Stubby Seat	2
5	V20010SS	3/8" - 16 x 2" SS Bolt	6
6	V20018	3/8" SS Lock Washer	6
7	V20019	3/8" 16 SS Hex Nut	6
8	V25020	3/8" x 1/2" Handle Bolt	1
9	V25121	Handle Washer	1
10	V25153	Handle-Straight	1
11	V25160	Upper Stem Bushing	1
12	V25163	FKM (viton type) Stem O-Ring	1
13	V35255A	3" Ball	1
14	V35265	FKM (viton type) Body O-Ring	1

ITEM	QTY	PART NUMBER	DESCRIPTION
2	1	V30151B	3" Stubby Stem
4	6	V20018	3/8" LOCKWASHER
5	6	V20019	3/8" HEX NUT
6	1	V25163	#214 FKM O'RING
7	1	V25190	Stem Bushing
8	2	VS35258	3" FP Stubby Valve Seat
9	1	V35265	3" FP body O-ring FKM
10	1	MVS35254	3" FP Stubby Manifold Body
11	1	VS35278	3" FP Stubby Manifold Endplate
12	1	V25121	3/8" Fender Washer
13	1	V25020	3/8" Handle Bolt
14	1	V25153	2" Handle
15	1	V35256A	3" Full Port Ball
16	6	V20016SS	3/8-16 X 2" HHCS



SECTION A-A  
SCALE 1 : 1



THIS DRAWING AND ALL INFORMATION CONTAINED THEREON ARE THE EXCLUSIVE PROPERTY OF BANJO CORPORATION.  
UNLESS SPECIFICALLY NOTED, THIS DRAWING AND ITEMS SHOWN ON THIS DRAWING ARE SUBJECT TO CHANGE AT ANY TIME.



**BANJO CORPORATION**  
150 BANJO DRIVE, CRAWFORDSVILLE, IN 47933  
WEB SITE: WWW.BANJOCORP.COM  
E-MAIL: SALES1@BANJOCORP.COM

DESCRIPTION	3" FP Stubby Manifold Flange Valve
PART NUMBER	MVS300CFFP