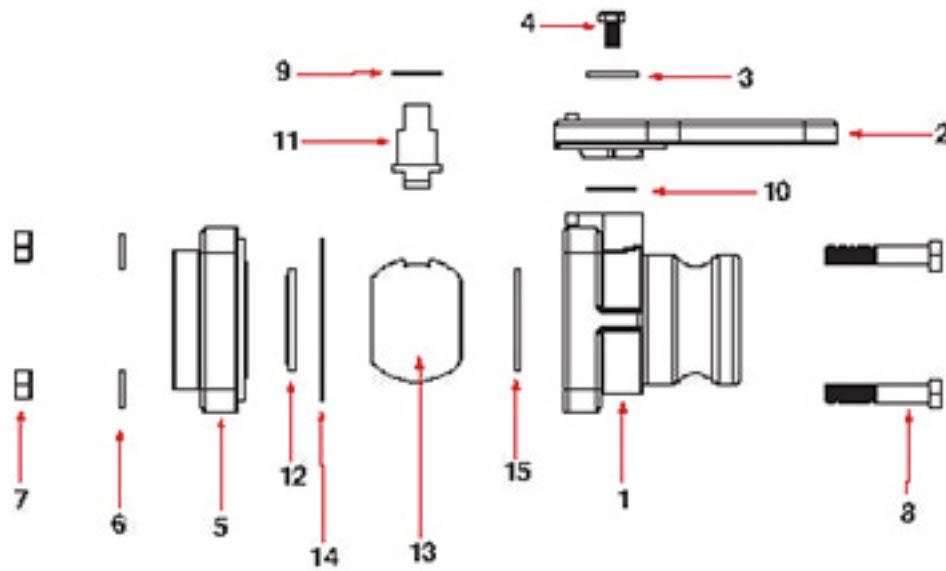
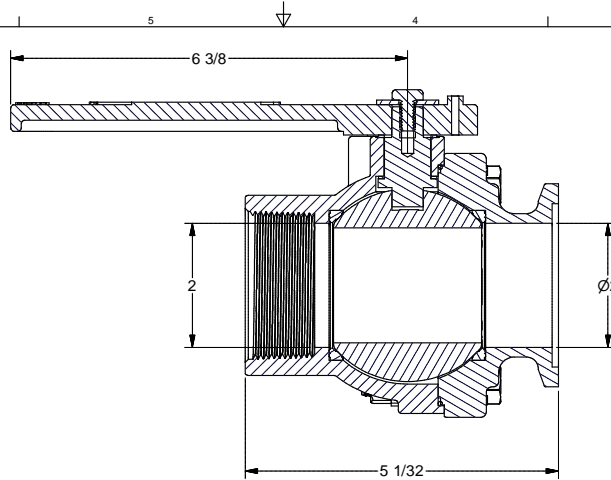
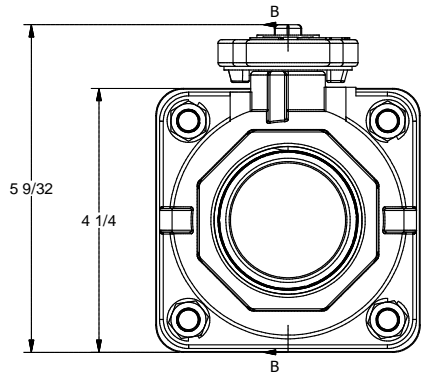


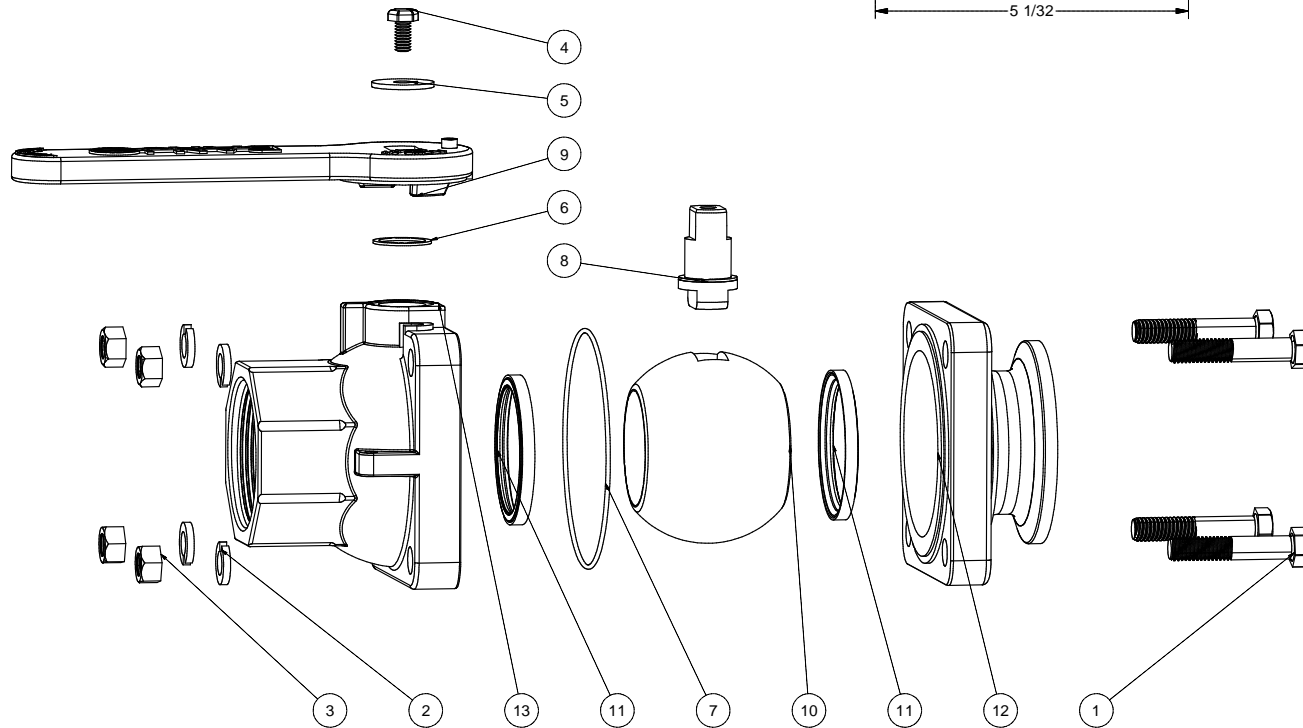
Part Number : MVS220FP



Item	Part No.	Description	Qty.
1	VFT25254	2" Full Port Female NPT Body	1
2	VS25153	2" Full Port Stubby Handle	1
3	V20021	Handle Washer	1
4	V20020	Handle Bolt	1
5	VS25378	2" Stubby End Plate	1
6	V20018	Lock Washer	4
7	V20019	3/8" 16 SS Hex Nut	4
8	V20010SS	Body Bolt	4
9	V20060*	Upper Stem Bushing	1
10	V20060*	Thrust Bearing	1
11	VS20151	Stem	1
12	VS25258AR1	Seat	2
13	VS25255	Ball	1
14	V25214V	FKM (viton type) Body Gasket (MVSMT220FP)	1



Parts List				
ITEM	QTY	PART NUMBER	DESCRIPTION	
1	4	V20010SS	3/8-16 X 2" HHCS	
2	4	V20018	3/8" LOCKWASHER	
3	4	V20019	3/8" HEX NUT	
4	1	V20020	2" handle Bolt	
5	1	V20021	Handle Washer	
6	1	V20060	VALVE STEM THRUST BEARING	
7	1	V25214V	#44 O-RING, FKM	
8	1	VS20151	VALVE STEM W/ BEARING	
9	1	VS25153	2" FP STUBBY HANDLE	
10	1	VS25255	2" Stubby Full Port Ball	
11	2	VS25258AR1	3" FP Ball Seat	
12	1	VS25378	2" FP 3-WAY MNFLD END PLATE	
13	1	VFT25254	2" FP FEMALE NPT STUBBY BODY	



BANJO CORPORATION
 150 BANJO DRIVE, CRAWFORDSVILLE, IN 47933
 WEB SITE: WWW.BANJOCORP.COM
 E-MAIL: SALES1@BANJOCORP.COM

THIS DRAWING AND ALL INFORMATION CONTAINED THEREON ARE THE EXCLUSIVE PROPERTY OF BANJO CORPORATION.

UNLESS SPECIFICALLY NOTED, THIS DRAWING AND ITEMS SHOWN ON THIS DRAWING ARE SUBJECT TO CHANGE AT ANY TIME.

DESCRIPTION:
2" FP MNFLD X 2" FEMALE NPT STUBBY VALVE
 PART NUMBER
MVS220FP