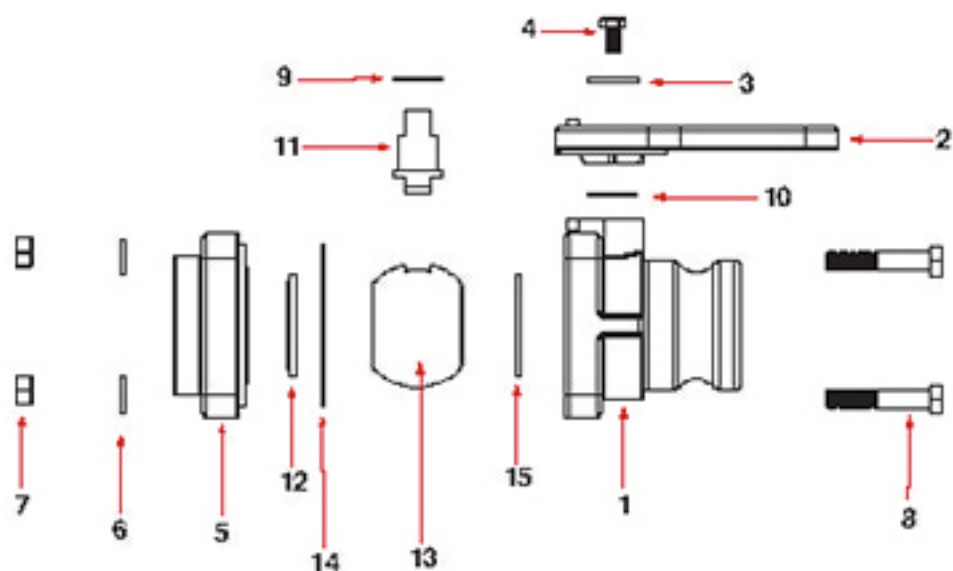
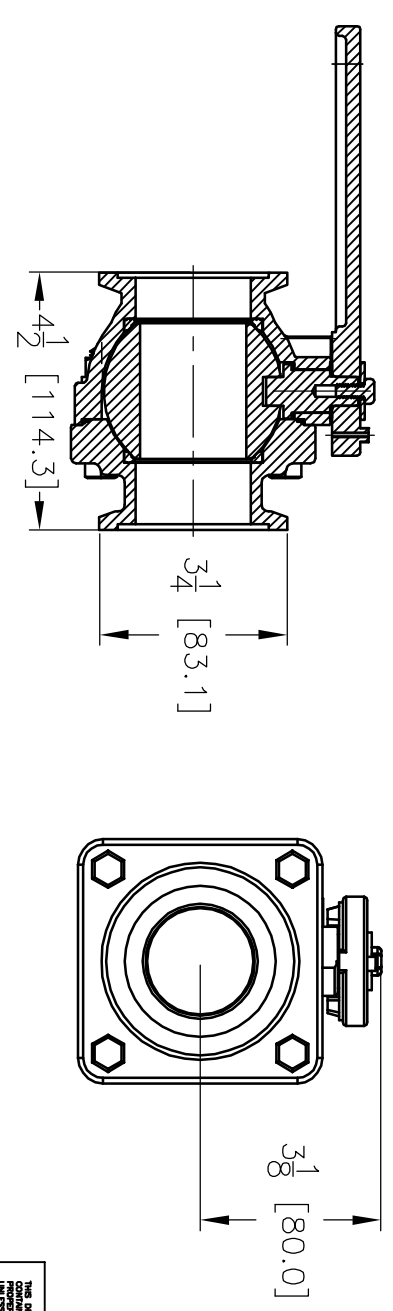
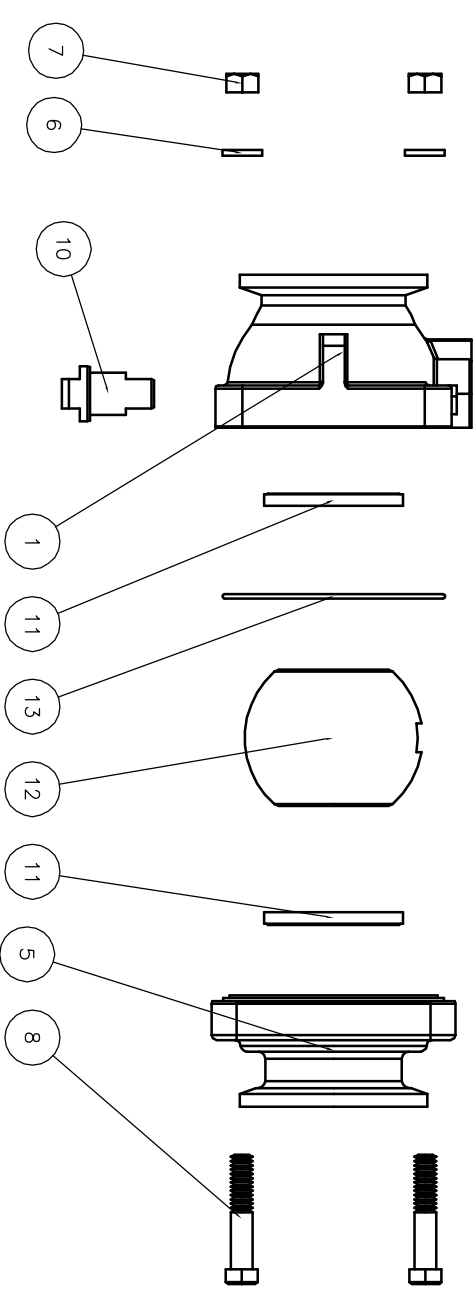
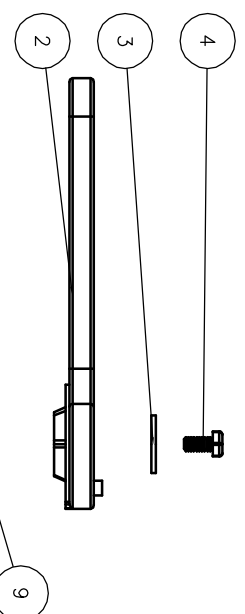


Part Number : MVS220CF



Item	Part No.	Description	Qty.
1	MV25254	2" Full Port Manifold Body	1
2	VS25153	2" Full Port Stubby Handle	1
3	V20021	Handle Washer	1
4	V20020	Handle Bolt	1
5	VS25378	2" Stubby End Plate	1
6	V20018	Lock Washer	4
7	V20019	3/8" 16 SS Hex Nut	4
8	V20010SS	Body Bolt	4
9	V20060*	Upper Stem Bushing	1
10	V20060*	Thrust Bearing	1
11	VS20151	Stem	1
12	VS25258AR1	Seat	2
13	VS25255	Ball	1



Parts List

Item Qty	PART NO.	DESCRIPTION
1	MV25254	2" STUBBY BODY
2	VS25153	2" FP STUBBY HANDLE
3	V20021	HANDLE WASHER
4	V20020	HANDLE BOLT
5	VS25378	2" EP
6	V20018	LOCKWASHER
7	V20019	BODY NUT
8	V20010SS	BODY BOLT
9	V20060	THRUST BEARING
10	VS20151	STEM
11	VS25258AR1	SEAT
12	VS25255	BALL
13	V25214V	BODY GASKET

THIS DRAWING AND ALL INFORMATION CONTAINED THEREON ARE THE EXCLUSIVE PROPERTY OF BANUO CORPORATION. NO REPRODUCTION OR TRANSMISSION OF THIS DRAWING AND DATA HEREON, IN ANY FORM OR BY ANY MEANS, IS PERMITTED WITHOUT THE WRITTEN PERMISSION OF BANUO CORPORATION.

BANUO CORPORATION
 150 BANUO DR. • CAMPOBASSO, N.J. 07833

PART NO. **MVS220CF**

TITLE **2" STUBBY VALVE**

