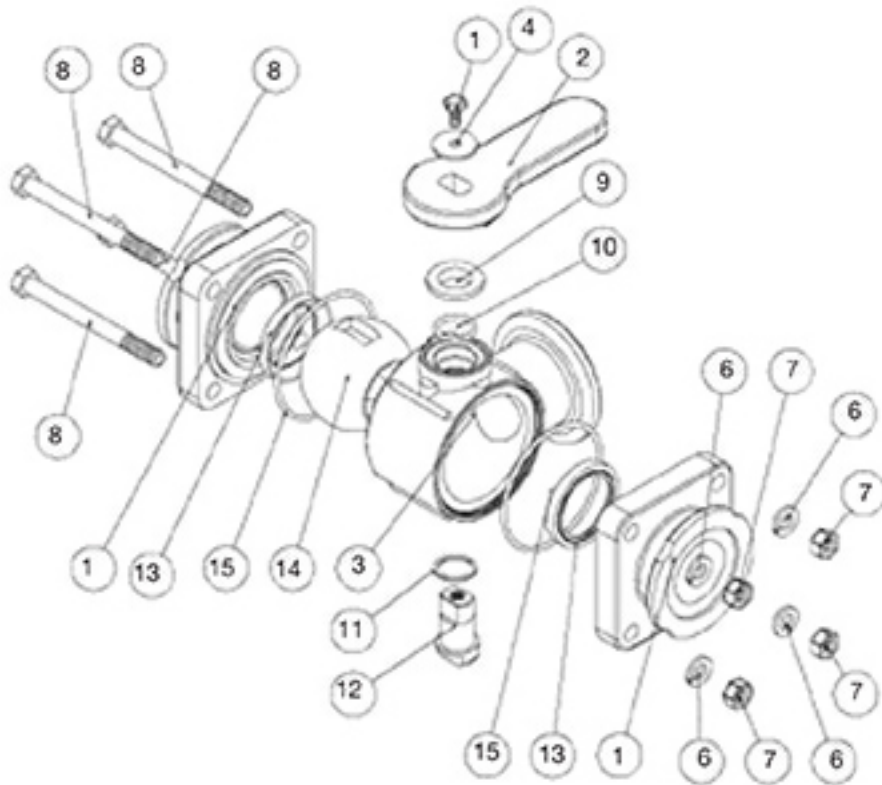
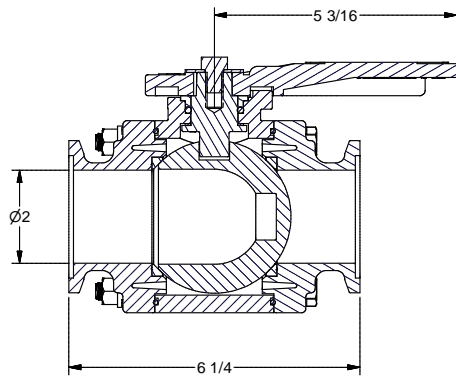
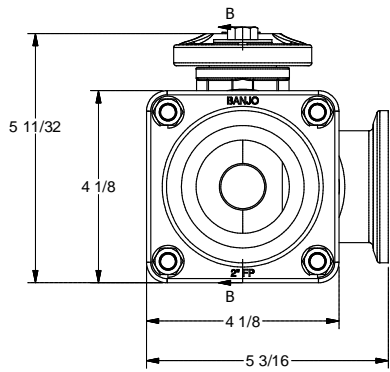


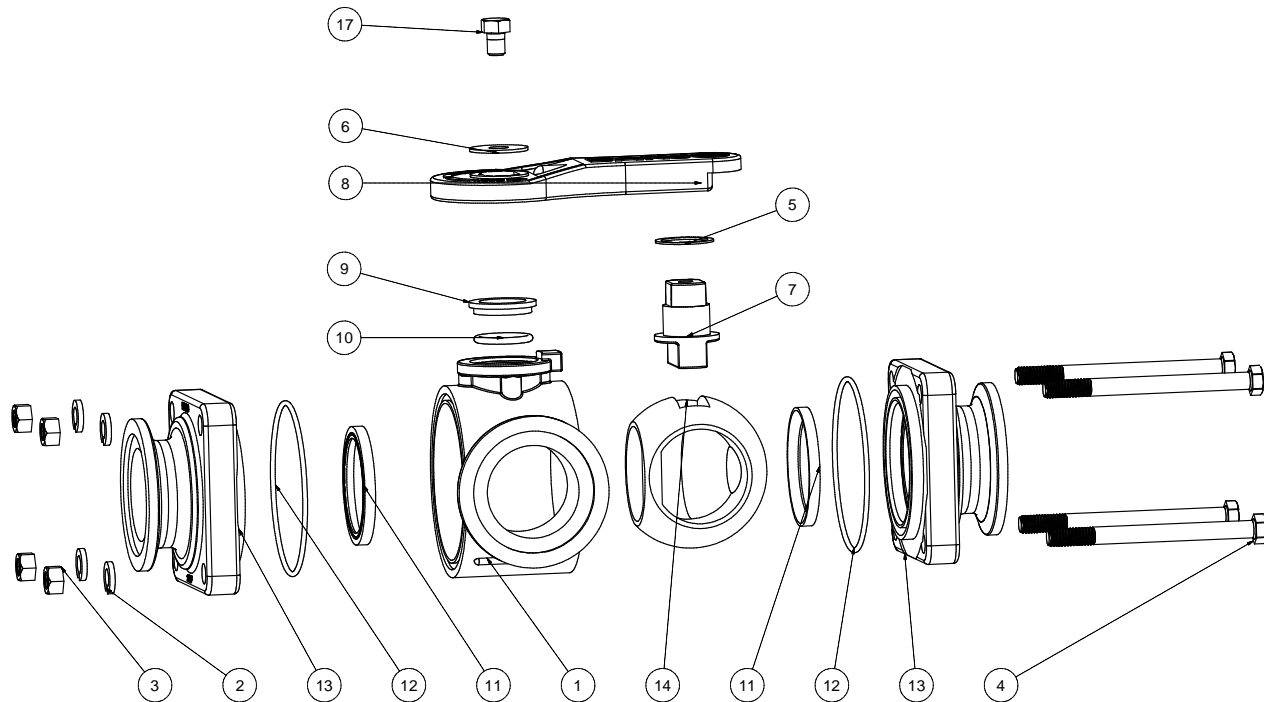
Part Number : MV220SL



Item	Part No.	Description	Qty.
1	V25378	2" Manifold End Plate	2
2	V25153SH	Straight Handle	1
3	MV25354S	2" Manifold Body	1
4	V25121	Handle Washer	1
5	V25020	Handle Bolt	1
6	V20018	Lock Washer	4
7	V20019	3/8" 16 SS Hex Nut	4
8	V25017	Body Bolt	4
9	V25160	Upper Stem Bushing	1
10	V25163	FKM?(viton type) Stem O-Ring	1
11	V25060	Thrust Bushing	1
12	V25151B	Stem	1
13	V25258	Seat	2
14	V25355S	Side Load Ball	1
15	V25264	Body O-Ring	2



Parts List			
ITEM	QTY	PART NUMBER	DESCRIPTION
1	1	MV25354SX	2" FP MNFLD SL VALVE BODY
2	4	V20018	3/8" LOCKWASHER
3	4	V20019	3/8" HEX NUT
4	4	V25017	3/8-16 X 4 1/2" HHCS
5	1	V25060	VALVE STEM THRUST BEARING
6	1	V25121	3/8" Fender Washer
7	1	V25151B	2" FP Stem
8	1	V25153SH	2" FP HANDLE
9	1	V25160	Stem Bushing
10	1	V25163	#214 FKM O'RING
11	2	V25258	3" FP Ball Seat
12	2	V25264	CUSTOM BODY O-RING
13	2	V25378	2" FP 3-WAY MNFLD END PLATE
14	1	V25355S	2" FP SL 3-WAY BALL
15	1	050DECAL	DECAL (N/S)
16	1	VL200SL	DECAL (N/S)
17	1	V25020	3/8" Handle Bolt



BANJO CORPORATION
 150 BANJO DRIVE, CRAWFORDSVILLE, IN 47933
 WEB SITE: WWW.BANJOCORP.COM
 E-MAIL: SALES1@BANJOCORP.COM

THIS DRAWING AND ALL INFORMATION CONTAINED THEREON ARE THE EXCLUSIVE PROPERTY OF BANJO CORPORATION.
 UNLESS SPECIFICALLY NOTED, THIS DRAWING AND ITEMS SHOWN ON THIS DRAWING ARE SUBJECT TO CHANGE AT ANY TIME.

DESCRIPTION
2" FP SIDE LOAD MANIFOLD VALVE
 PART NUMBER
MV220SL