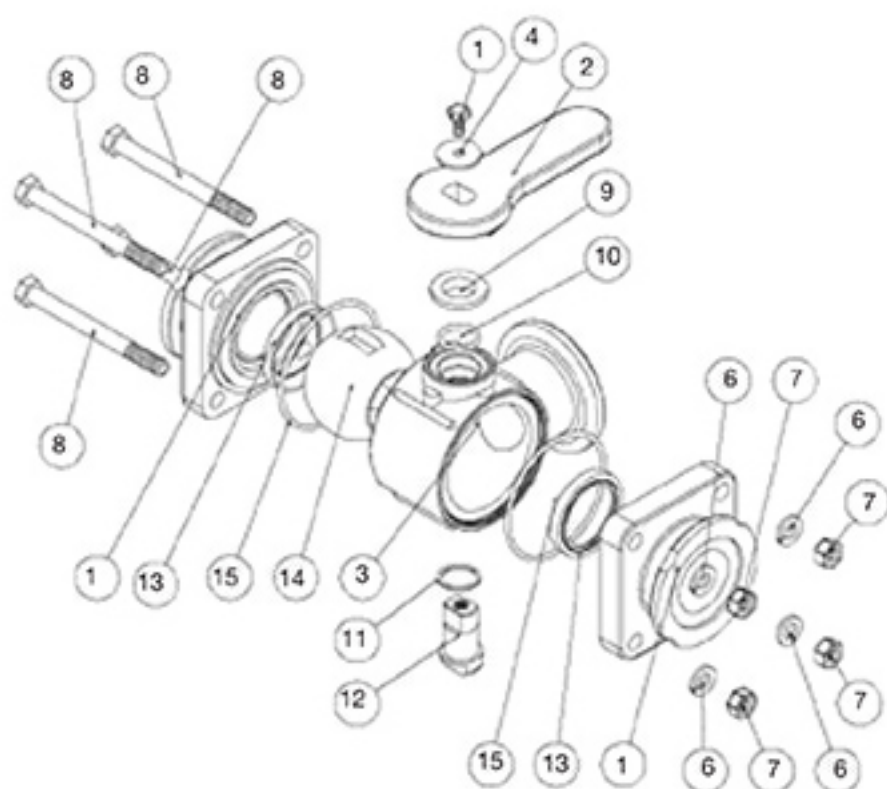
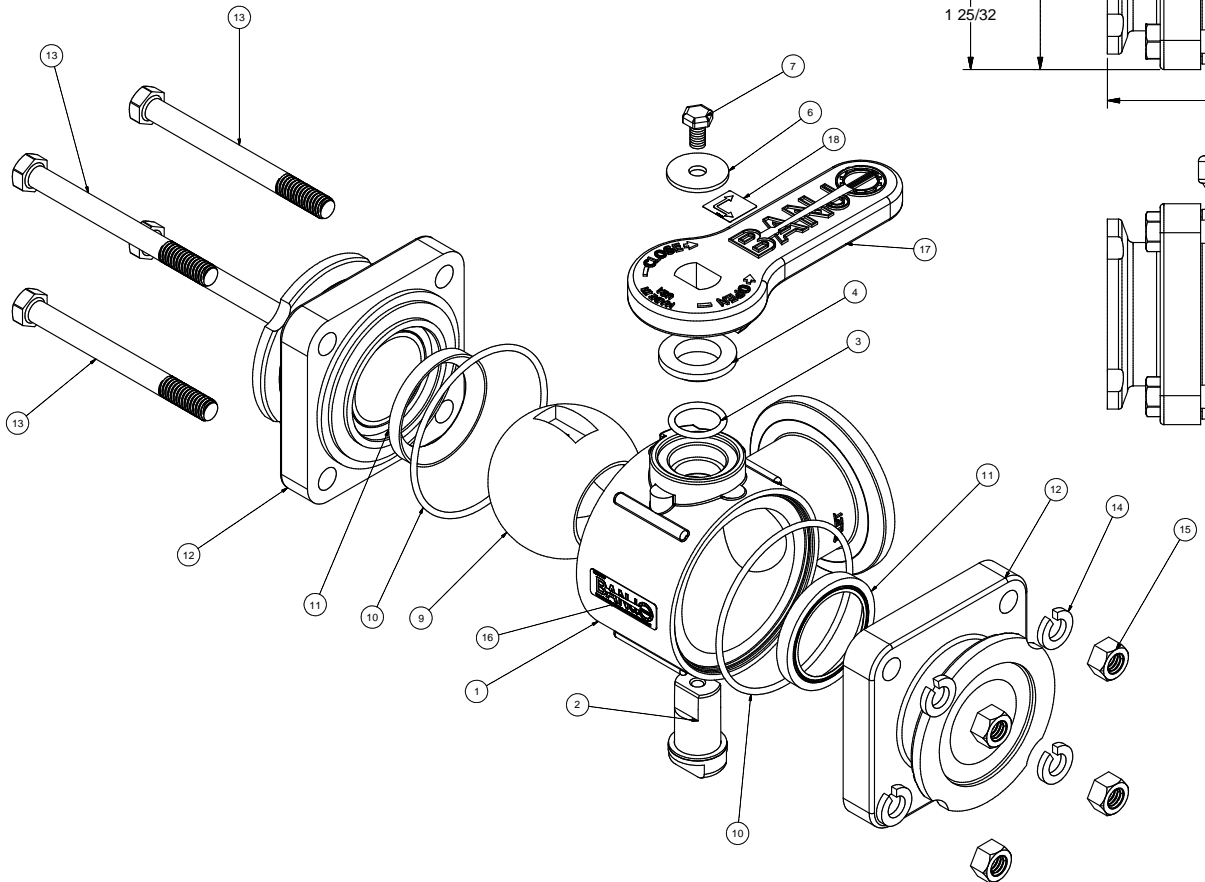
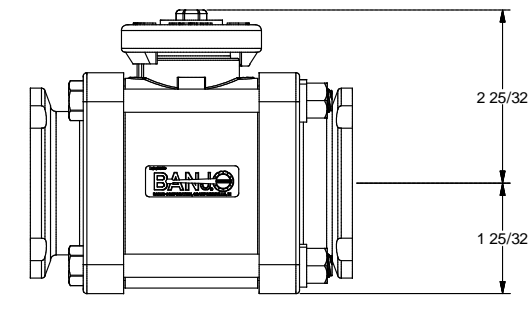
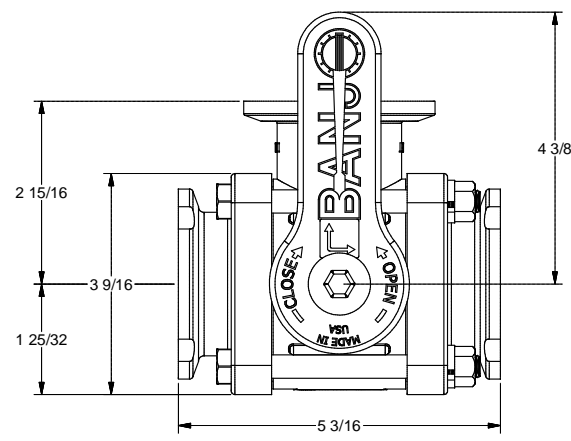


Part Number : MV200SL



Item	Part No.	Description	Qty.
1	V20394	2" Manifold End Plate	2
2	V20153SH	Straight Handle	1
3	MV20354S	2" Manifold Body	1
4	V20021	Handle Washer	1
5	V20020	Handle Bolt	1
6	V20018	Lock Washer	4
7	V20019	3/8" 16 SS Hex Nut	4
8	V20017	Body Bolt	4
9	V20159	Upper Stem Bushing	1
10	V20163	FKM?(viton type) Stem O-Ring	1
11	V20060	Thrust Bushing	1
12	V20151M	Stem	1
13	VE20258A	Seat	2
14	V20355S	Side Load Ball	1
15	VE20264	Body O-Ring	2



Parts List			
ITEM	QTY	PART NUMBER	DESCRIPTION
1	1	MV20354S	2" SL Manifold Body, Machined
2	1	V20151M	VALVE STEM W/ BEARING
3	1	V20163	#116 O'RING, FKM
4	1	V20159	2" STEM BUSHING
6	1	V20021	Handle Washer
7	1	V20020	2" handle Bolt
9	1	V20355S	2" 3-Way SL Ball
10	2	VE20264	2-150 O'RING, FKM
11	2	VE20258A	2" VE Seat TFM
12	2	V20394	2" Manifold SL/BL Endplate
13	4	V20017	3/8-16 X 4" HHCS
14	4	V20018	3/8" LOCKWASHER
15	4	V20019	3/8" HEX NUT
16	1	050DECAL	Banjo Logo Decal
17	1	V20153SH	HANDLE, SHORT
18	1	VL200SL	VE "OPEN" Sticker

THIS DRAWING AND ALL INFORMATION CONTAINED THEREON ARE THE EXCLUSIVE PROPERTY OF BANJO CORPORATION.
UNLESS SPECIFICALLY NOTED, THIS DRAWING AND ITEMS SHOWN ON THIS DRAWING ARE SUBJECT TO CHANGE AT ANY TIME.

BANJO CORPORATION
150 BANJO DRIVE, CRAWFORDSVILLE, IN 47933
WEB SITE: WWW.BANJOCORP.COM
E-MAIL: BANJOSALES@IDEXCORP.COM

DESCRIPTION
2" SL Manifold 3 Way Valve
PART NUMBER
MV200SL

