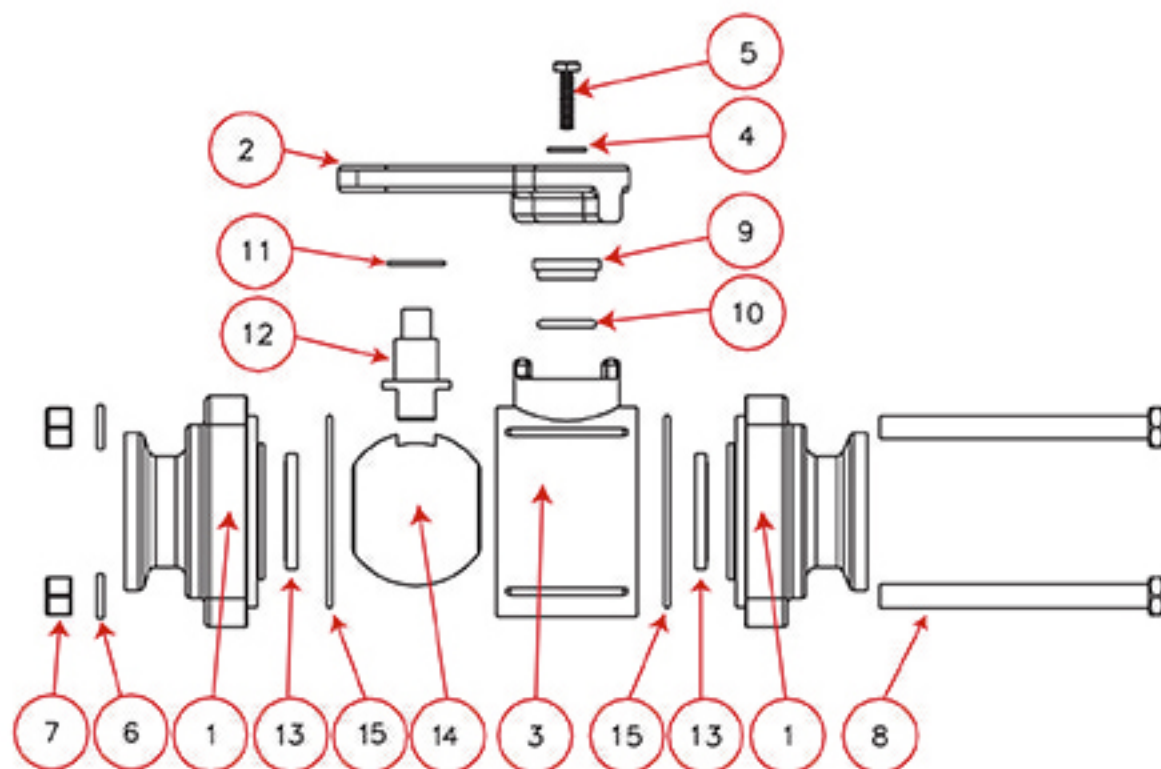
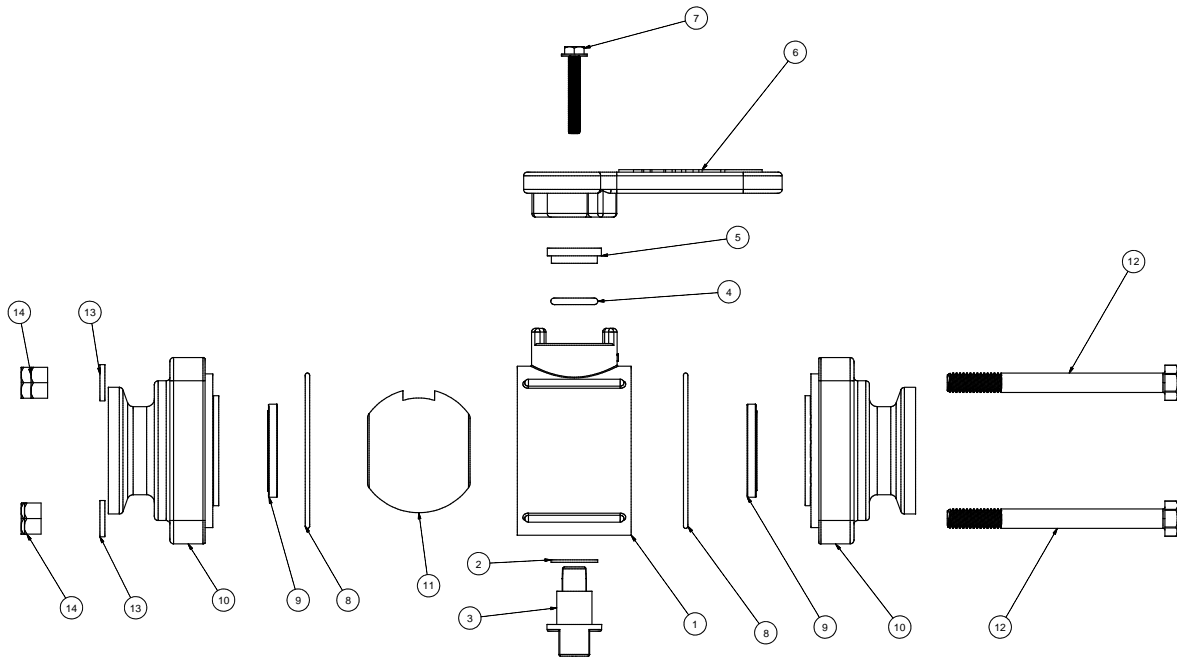


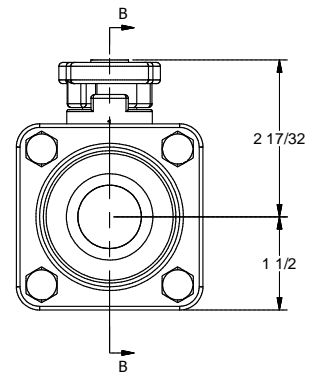
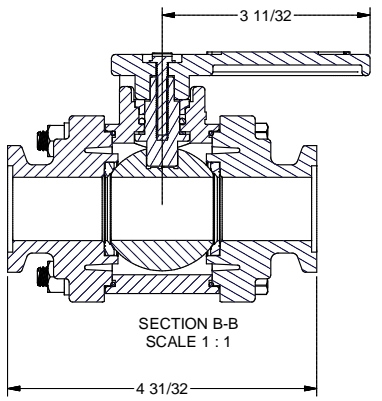
Part Number : MV100CF



Item	Part No.	Description	Qty.
1	V10278	1" Manifold End Plate	2
2	V10153A	Handle	1
3	V10254	Body	1
4	V07021A	S.S. Handle Washer	1
5	V10020A	#10 x 1¼" S.S. Handle Bolt	4
6	V10118	5/16" S.S. Lock Washer	4
7	V10119	5/16" S.S. Nut	4
8	V10117	5/16" x 3½" S.S. Body Bolt	1
9	V10159*	Upper Stem Bushing	1
10	V10163*	FKM (viton type) Stem O-Ring	1
11	V10060*	Thrust Washer	1
12	V10151A	Stem	1
13	V10258A*	Ball Seat	2
14	V10155*	Ball	1
15	V10264	FKM (viton type) Body O-Ring	2



Parts List			
ITEM	QTY	PART NUMBER	DESCRIPTION
1	1	V10254	1" VALVE BODY
2	1	V10060	THRUST BEARING
3	1	V10151A	STEM
4	1	V10163	#113 O-RING, FKM
5	1	V10159	STEM BUSHING
6	1	V10153A	HANDLE
7	1	V10020A	10-32 X 1 1/4" SMS
8	2	V10264	#36 O-RING
9	2	V10258A	3" FP Ball Seat
10	2	V10278	1" Manifold Endplate
11	1	V10155	1" Valve Ball
12	4	V10117	5/16 - 18 X 3 1/2" HHCS
13	4	V10118	5/16" LOCKWASHER
14	4	V10119	5/16" HEX NUT



THIS DRAWING AND ALL INFORMATION CONTAINED THEREON ARE THE EXCLUSIVE PROPERTY OF BANJO CORPORATION.
UNLESS SPECIFICALLY NOTED, THIS DRAWING AND ITEMS SHOWN ON THIS DRAWING ARE SUBJECT TO CHANGE AT ANY TIME.

BANJO CORPORATION
150 BANJO DRIVE, CRAWFORDSVILLE, IN 47933
WEB SITE: WWW.BANJOCORP.COM
E-MAIL: BANJOSALES@IDEXCORP.COM

DESCRIPTION: 1" Full Port w/ C-Flange
PART NUMBER: MV100CF