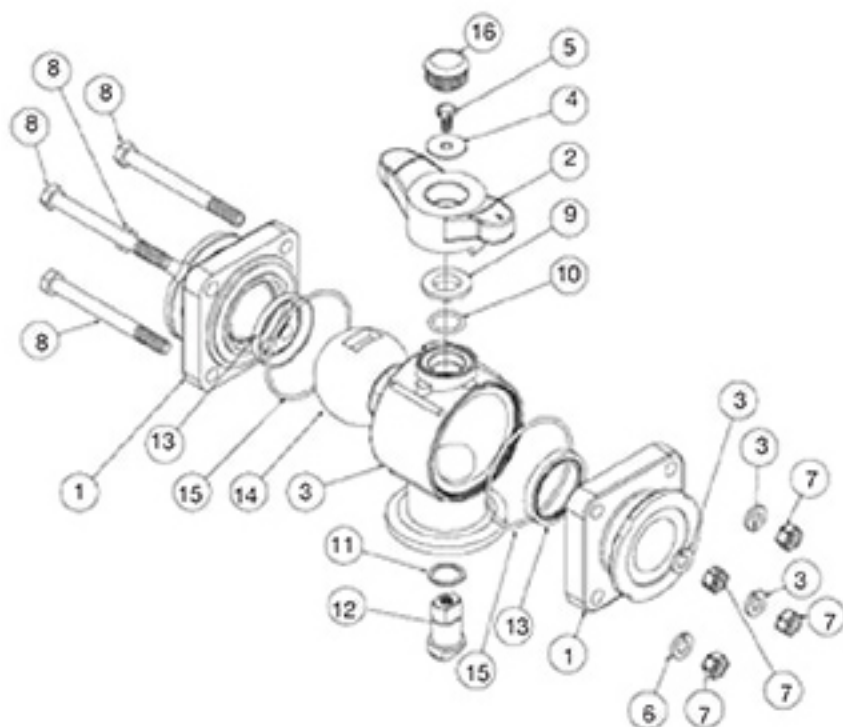
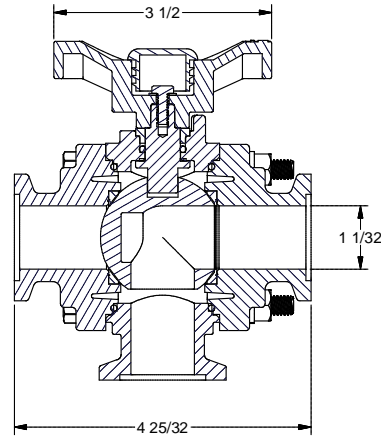
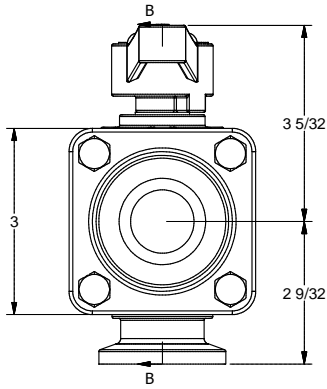


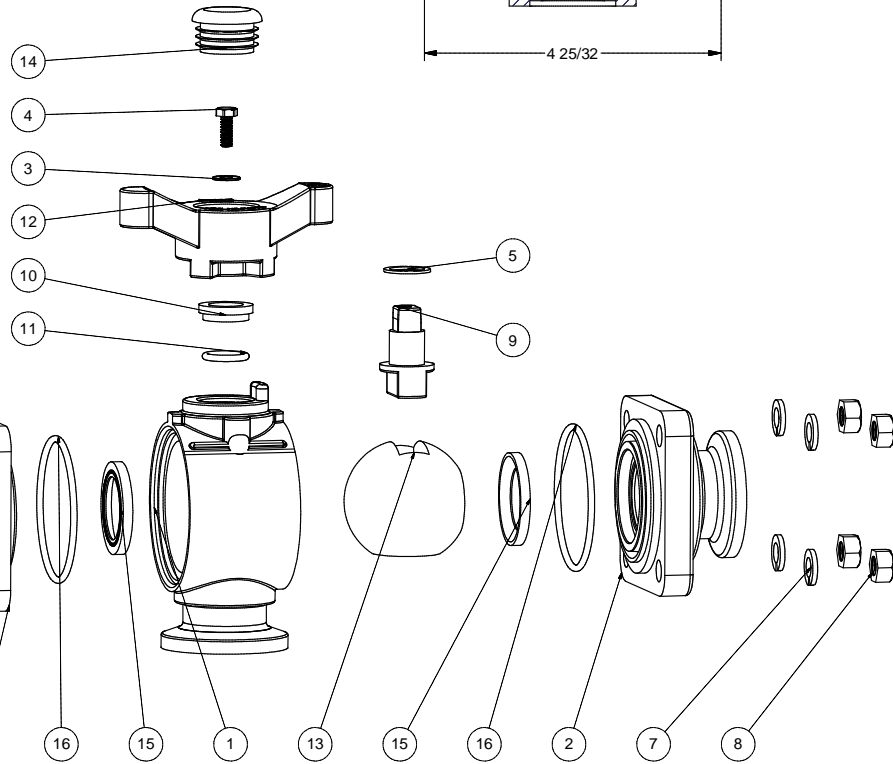
**Part Number : MV100BL**



Item	Part No.	Description	Qty.
1	VE10278A	1" Manifold End Plate	2
2	V10353TB	Handle	1
3	MV10354B	1" Manifold Body	1
4	V07021A	Handle Washer	1
5	V10020A	Handle Bolt	1
6	V10118	Lock Washer	4
7	V10119	Body Nut	4
8	V10117	Body Bolt	4
9	V10159	Upper Stem Bushing	1
10	V10163	FKM?(viton type) Stem O-Ring	1
11	V10060	Thrust Bushing	2
12	V10151A	Stem	1
13	VE10258A	Seat	2
14	V10355B	Bottom Load Ball	1
15	VE10264	Body O-Ring	2
16	V20353C	Handle Cap	1



Parts List			
ITEM	QTY	PART NUMBER	DESCRIPTION
1	1	MV10354B	1" BL VALVE BODY
2	2	VE10278A	1" VE Flange Endplate
3	1	SW10	#10 WASHER
4	1	V07020	#10-24x0.50 HHCS 18-8SS
5	1	V10060	THRUST BEARING
6	4	V10117	5/16 - 18 X 3 1/2" HHCS
7	4	V10118	5/16" LOCKWASHER
8	4	V10119	5/16" HEX NUT
9	1	V10151	1" Valve Stem
10	1	V10159	STEM BUSHING
11	1	V10163	#113 O-RING, FKM
12	1	V10353TB	BOTTOM LOAD T-HANDLE
13	1	V10355B	BOTTOM LOAD BALL
14	1	V20353C	1 1/8" CAPLUG
15	2	VE10258A	1" VE Seat TFM
16	2	VE10264	#139 O-RING, FKM
17	1	050DECAL	DECAL (N/S)



BANJO CORPORATION  
 150 BANJO DRIVE, CRAWFORDSVILLE, IN 47933  
 WEB SITE: WWW.BANJOCORP.COM  
 E-MAIL: BANJOSALES@IDEXCORP.COM

THIS DRAWING AND ALL INFORMATION CONTAINED THEREON ARE THE EXCLUSIVE PROPERTY OF BANJO CORPORATION.

UNLESS SPECIFICALLY NOTED, THIS DRAWING AND ITEMS SHOWN ON THIS DRAWING ARE SUBJECT TO CHANGE AT ANY TIME.

DESCRIPTION  
**1" MANIFOLD BOTTOM LOAD VALVE**  
 PART NUMBER  
**MV100BL**