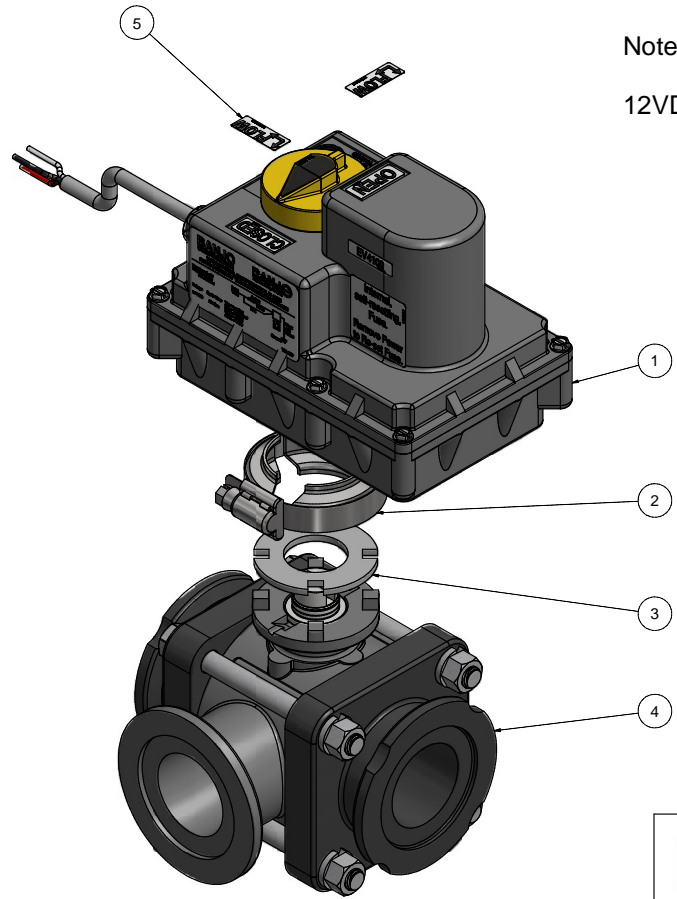
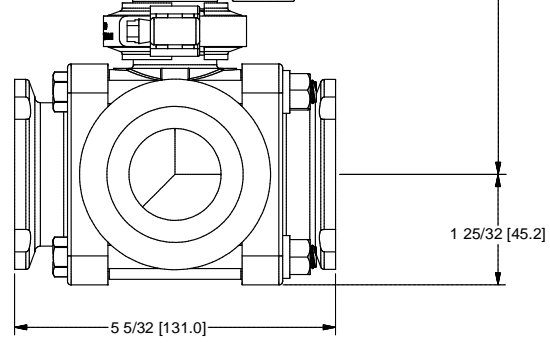
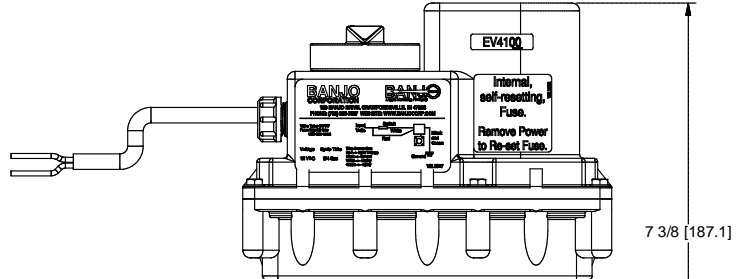
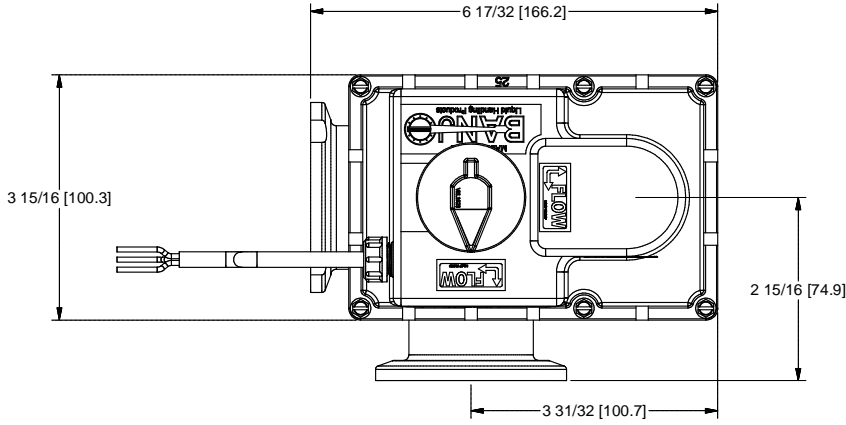


Parts List				
ITEM	QTY	PART NUMBER	DESCRIPTION	
1	1	EV4100	1 1/4 Sec. 3 Wire EV Actuator Assy	
2	1	FC100	1" HI TORQUE CLAMP	
3	1	MVE004	MVE Mounting Breather	
4	1	MEV200SLXR1	2" SL Manifold Valve SubAssy	
5	2	VEL1019	VE "SL" Sticker	



Note:
12VDC



BANJO CORPORATION
150 BANJO DRIVE, CRAWFORDSVILLE, IN 47933
WEB SITE: WWW.BANJOCORP.COM
E-MAIL: BANJOSALES@IDEXCORP.COM

THIS DRAWING AND ALL INFORMATION CONTAINED THEREON ARE THE EXCLUSIVE PROPERTY OF BANJO CORPORATION.
UNLESS SPECIFICALLY NOTED, THIS DRAWING AND ITEMS SHOWN ON THIS DRAWING ARE SUBJECT TO CHANGE AT ANY TIME.

DESCRIPTION	2" SL Manifold Electric Valve 1 1/4 Sec, 3 Wire, On/Off
PART NUMBER	MEV200SLCF