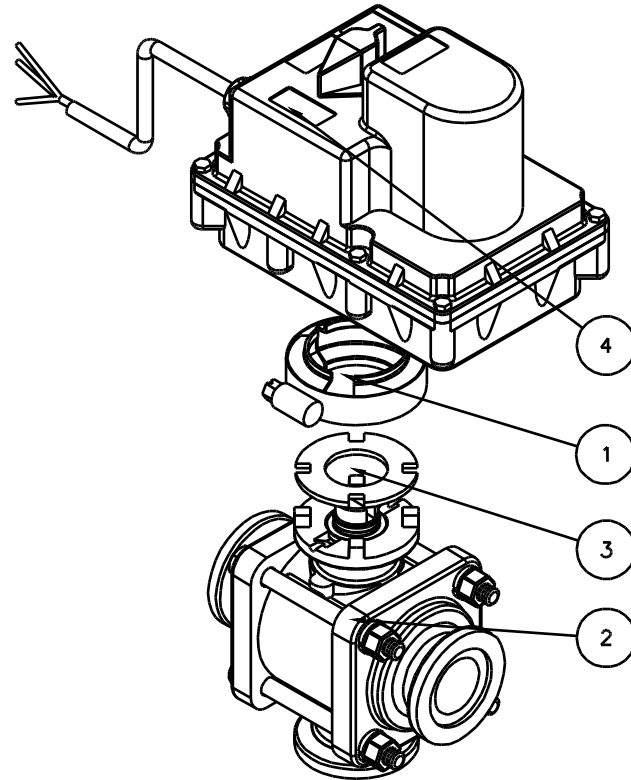
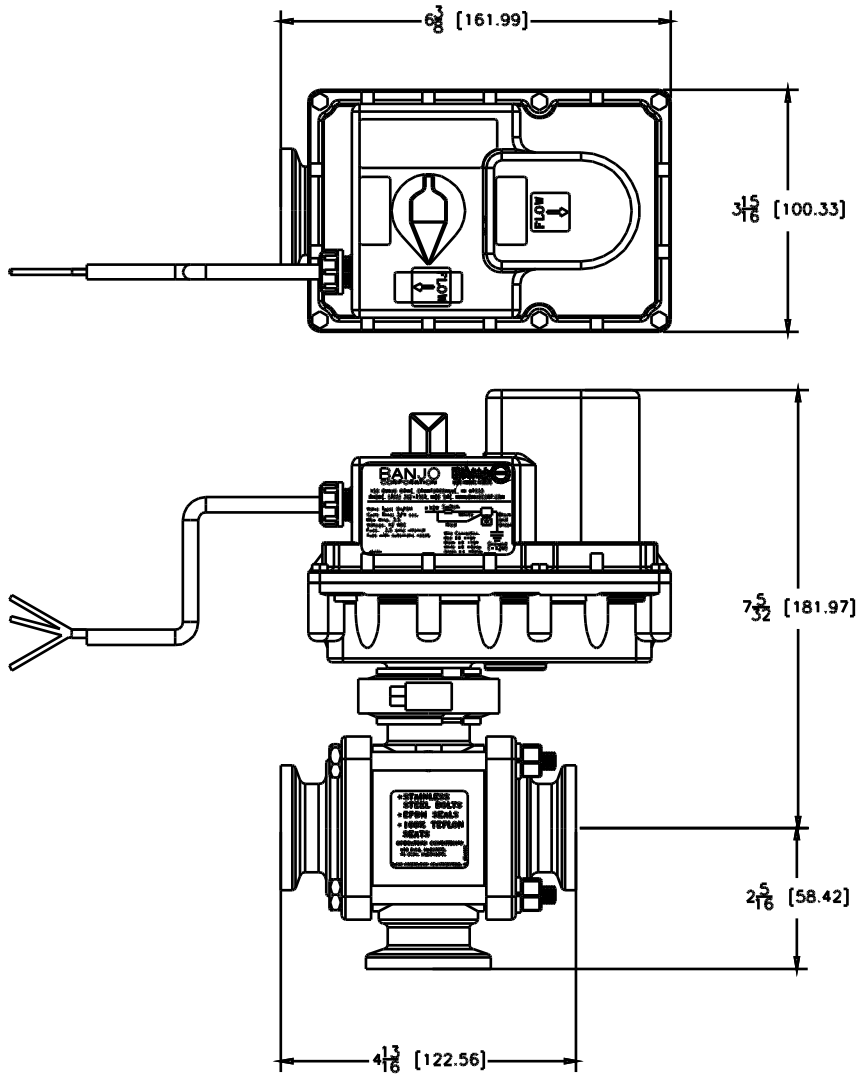


Parts List

Item	Qty	Part Number	Description
1	1	FC100	1" Flange Clamp
2	1	MEV100BLXR1	1" BL Valve Only
3	1	MVE004	Filter
4	1	EV3100	1" 3 Wire On/Off Motor Assy
5	2	VL200BL	BL Decal



**BANJO CORPORATION**  
150 BANJO DR. • CRANFORDSVILLE, IN 47933

PART NO. **MEV100BLCF**

TITLE **1" BL. Monifold Electric Valve 3/4 Sec. 3 Wire, On/Off**

THIS DRAWING AND ALL INFORMATION CONTAINED THEREON ARE THE EXCLUSIVE PROPERTY OF BANJO CORPORATION. UNLESS SPECIFICALLY NOTED, THIS DRAWING AND ITEMS SHOWN ON THIS DRAWING ARE SUBJECT TO CHANGE AT ANY TIME.