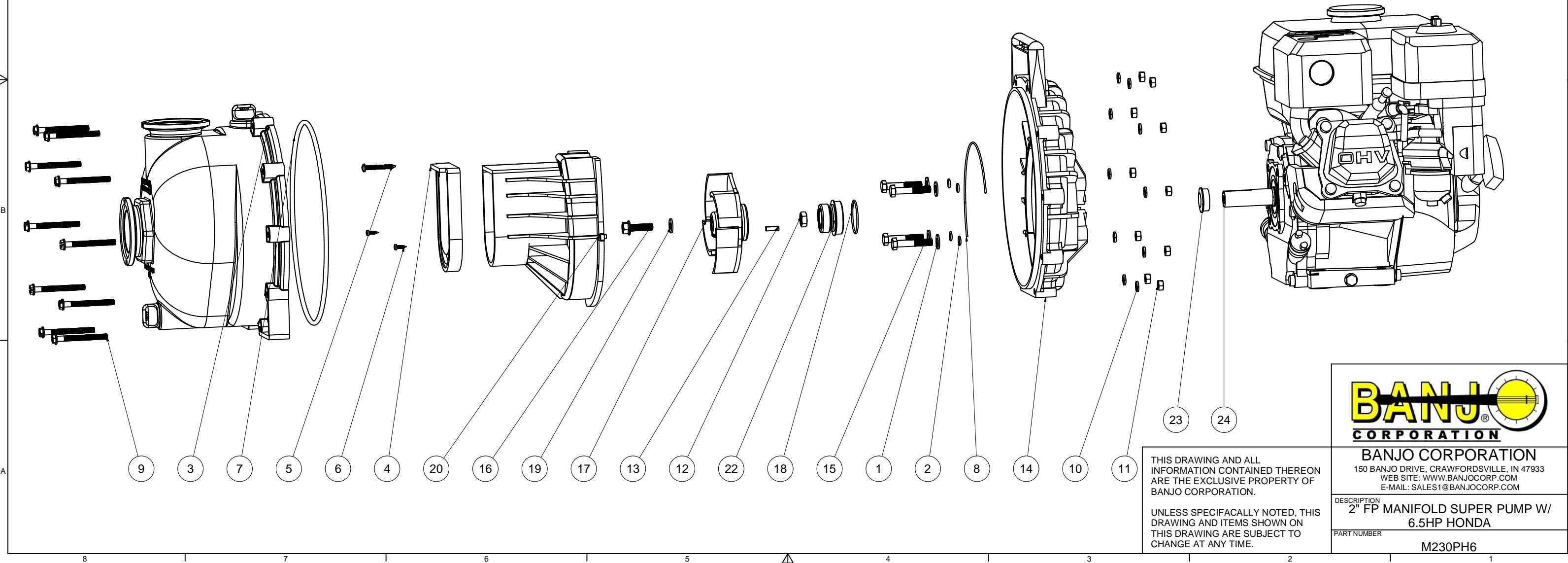


Parts List			
ITEM	QTY	PART NUMBER	DESCRIPTION
1	4	12901	5/16" FLAT WASHER
2	4	12717	#11 O'RING
3	1	M12712	2" FP MNFLD PUMP BODY ASSY
4	1	12705	CHECKVALVE
5	1	12900	#10 X 1 1/2" PPH SMS
6	2	12725	#6 X 1/2" PPH SMS
7	1	12719A	#375 O'RING
8	1	12754	O'RING SEGMENT
9	10	12720	1/4-20 X 2 1/2" SL IND HWHS
10	10	V07018	1/4" LOCKWASHER
11	10	V07019	1/4-20 HEX NUT
12	1	12775A	7/16-14 HEX NUT
13	1	12902A	3/16" SQ. X 5/8" KEY
14	1	12703A	POLY PUMP REAR BRACKET
15	4	12715A	5/16-24 X 1 3/4" HHCS
16	1	12765A	5/16-24 X 1 1/8" HFS
17	1	13771	3" POLY PUMP TRIMMED IMPELLER
18	1	12710	#029 O'RING
19	1	12774VA	IMPELLER BOLT GASKET
20	1	13702	3" POLY PUMP VOLUTE
21	1	12910	DECAL (N/S)
22	1	12733	MECH. SEAL ASSY.
23	1	12716	PUMP SLINGER
24	1	E6H	6.5 HP HONDA





BANJO CORPORATION

150 BANJO DRIVE, CRAWFORDSVILLE, IN 47933
 WEB SITE: WWW.BANJOCORP.COM
 E-MAIL: SALES1@BANJOCORP.COM

THIS DRAWING AND ALL INFORMATION CONTAINED THEREON ARE THE EXCLUSIVE PROPERTY OF BANJO CORPORATION. UNLESS SPECIFICALLY NOTED, THIS DRAWING AND ITEMS SHOWN ON THIS DRAWING ARE SUBJECT TO CHANGE AT ANY TIME.	DESCRIPTION 2" FP MANIFOLD SUPER PUMP W/ 6.5HP HONDA
PART NUMBER	M230PH6

THIS DRAWING AND ALL INFORMATION CONTAINED THEREON ARE THE EXCLUSIVE PROPERTY OF BANJO CORPORATION.

UNLESS SPECIFICALLY NOTED, THIS DRAWING AND ITEMS SHOWN ON THIS DRAWING ARE SUBJECT TO CHANGE AT ANY TIME.