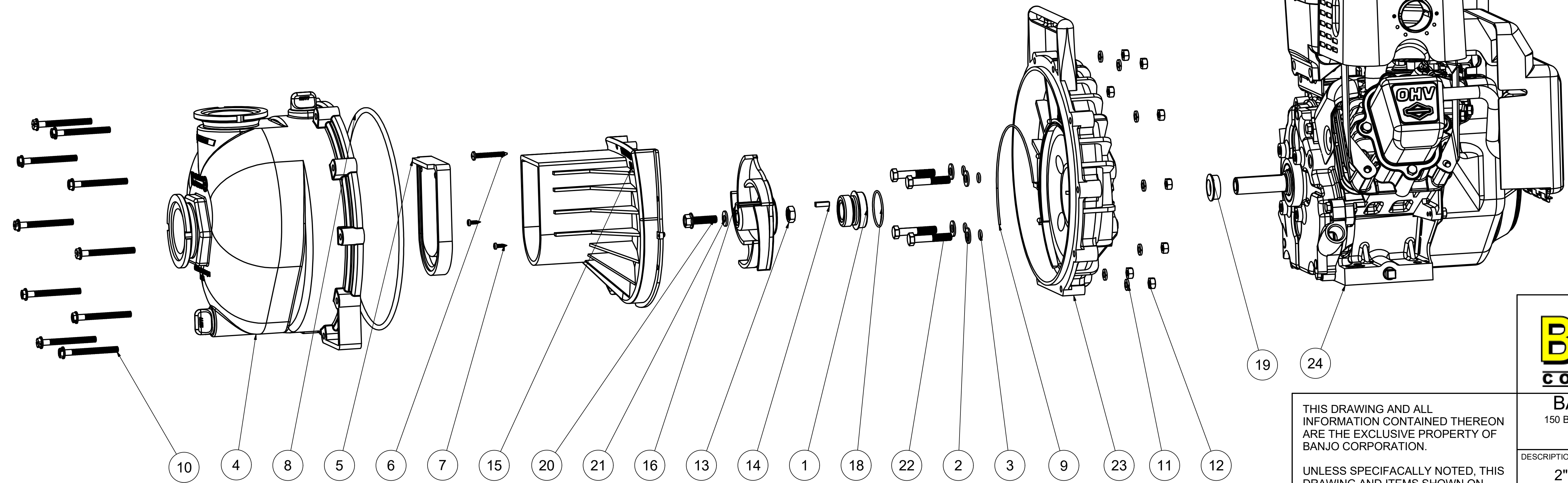


Parts List			
ITEM	QTY	PART NUMBER	DESCRIPTION
1	1	12733	MECH. SEAL ASSY.
2	4	12901	5/16" FLAT WASHER
3	4	12717	#11 O-RING
4	1	M12712	2" FP MNFLD PUMP BODY ASSY
5	1	12705	CHECKVALVE
6	1	12900	#10 X 1 1/2" PPH SMS
7	2	12725	#6 X 1/2" PPH SMS
8	1	12719A	#375 O-RING
9	1	12754	O-RING SEGMENT
10	10	12720	1/4-20 X 2 1/2" SL IND HWHS
11	10	V07018	1/4" LOCKWASHER
12	10	V07019	1/4-20 HEX NUT
13	1	12775A	7/16-14 HEX NUT
14	1	12902A	3/16" SQ. X 5/8" KEY
15	1	12702A	2" POLY PUMP VOLUTE
16	1	12772	IMPELLER
17	1	12910	DECAL (N/S)
18	1	12710	#029 O-RING
19	1	12716	PUMP SLINGER
20	1	12765A	5/16-24 X 1 1/8" HFS
21	1	12774VA	IMPELLER BOLT GASKET
22	4	12715C	5/16-24 X 1 3/4" HHCS W/O TORQ-PATCH
23	1	12703A	POLY PUMP REAR BRACKET
24	1	E6.5PRO	6.5 HP B&S ENGINE



**BANJO CORPORATION**  
 150 BANJO DRIVE, CRAWFORDSVILLE, IN 47933  
 WEB SITE: WWW.BANJOCORP.COM  
 E-MAIL: SALES1@BANJOCORP.COM

THIS DRAWING AND ALL INFORMATION CONTAINED THEREON ARE THE EXCLUSIVE PROPERTY OF BANJO CORPORATION.

UNLESS SPECIFICALLY NOTED, THIS DRAWING AND ITEMS SHOWN ON THIS DRAWING ARE SUBJECT TO CHANGE AT ANY TIME.

DESCRIPTION  
**2" FP MANIFOLD POLY PUMP**

PART NUMBER  
**M220P6PRO**