

4

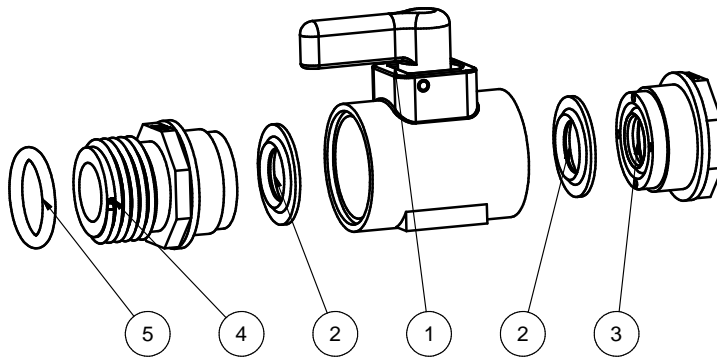
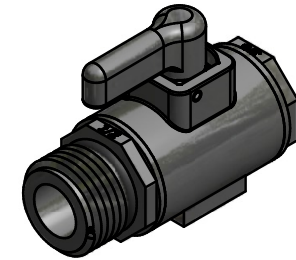
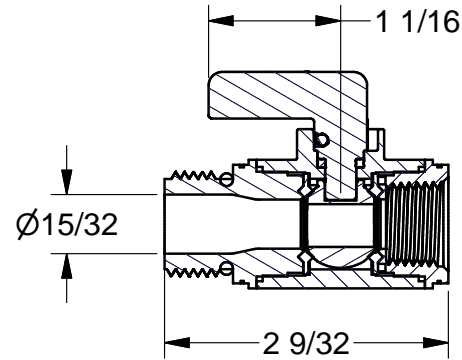
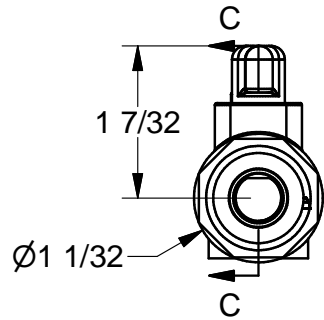
3

2

1

Parts List

ITEM	QTY	PART NUMBER	DESCRIPTION
1	1	LV038SUBV	LV038 Body Sub-Assembly FKM
2	2	LV03258V	3/8" MICRO-VALVE SEAT
3	1	LV03256	3/8" NPT END PLATE
4	1	LVMT03556	1/2" NPT SMALL BODY ENDPLATE
5	1	UV15163V	2-114 O'RING



4

3

2

1

THIS DRAWING AND ALL INFORMATION CONTAINED THEREON ARE THE EXCLUSIVE PROPERTY OF BANJO CORPORATION.

UNLESS SPECIFICALLY NOTED, THIS DRAWING AND ITEMS SHOWN ON THIS DRAWING ARE SUBJECT TO CHANGE AT ANY TIME.



BANJO CORPORATION

150 BANJO DRIVE, CRAWFORDSVILLE, IN 47933
 WEB SITE: WWW.BANJOCORP.COM
 E-MAIL: SALES1@BANJOCORP.COM

DESCRIPTION
 3/8" FEMALE X 1/2" MALE NPT
 MICROVALVE

PART NUMBER
 LV038050MTV