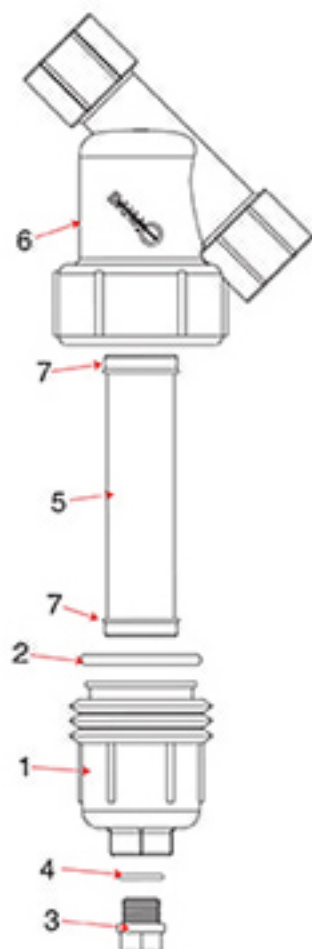
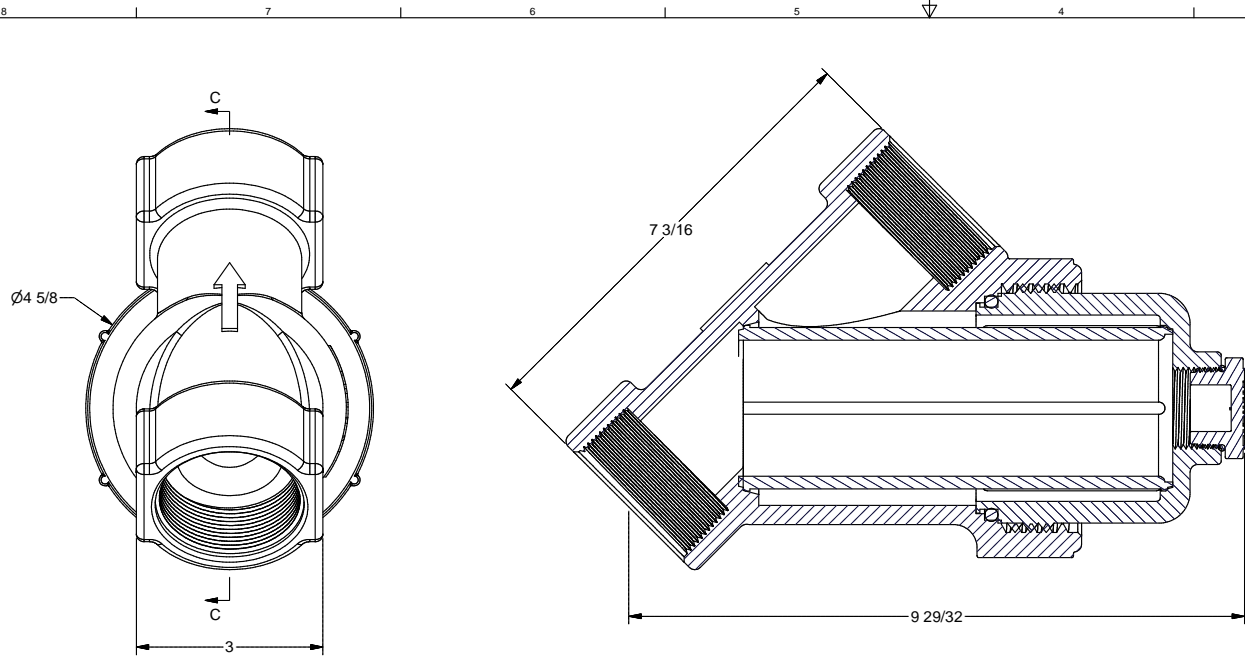


Part Number : LS200-20

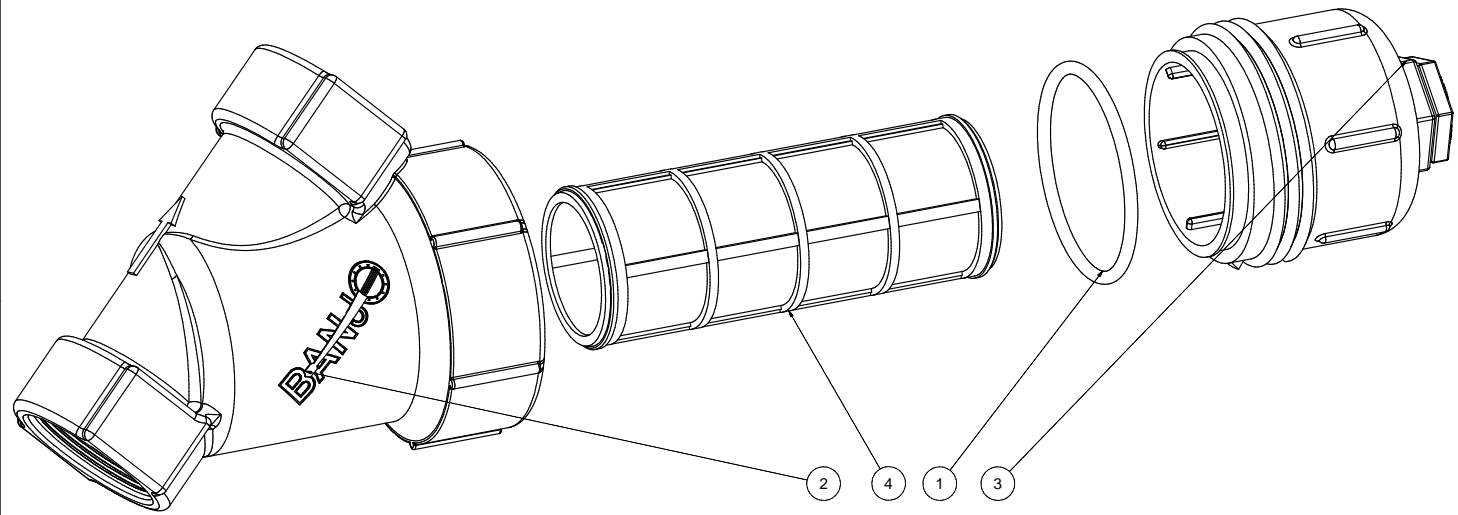


Item	Part No.	Description	Qty.
6	LS200-B	2" Y Body	1
7	LS141G	1½"-2" EPDM O-Ring	1
1	LS150-C	1½" - 2" End Cap	1
2	LS150-G	1½"-2" O-Ring	1
2	LS150-GV	1½"-2" FKM (viton type) Gasket	1
3	LSQ200-PL	1" Drain Plug (Fits 1½" - 2")	1
4	LSQ200-R	1½"-2" EPDM O-Ring for Drain Plug	1
4	LSQ200-RV	1½"-2" FKM (viton type) O-Ring for Drain Plug	1
5	LS220	1½"-2" 20 Mesh Screen	1



Parts List			
ITEM	QTY	PART NUMBER	DESCRIPTION
1	1	LS150-G	#339 O-RING
2	1	LS200-B	2" LINE STRAINER BODY
3	1	LS150-C	LS CAP ASSY
4	1	LS220	2" LS SCREEN - 20 MESH

*NOTE:
ADDITIONAL CLEARANCE REQ'D
FOR SCREEN REMOVAL: 7"



THIS DRAWING AND ALL INFORMATION CONTAINED THEREON ARE THE EXCLUSIVE PROPERTY OF BANJO CORPORATION.

UNLESS SPECIFICALLY NOTED, THIS DRAWING AND ITEMS SHOWN ON THIS DRAWING ARE SUBJECT TO CHANGE AT ANY TIME.

BANJO CORPORATION
150 BANJO DRIVE, CRAWFORDSVILLE, IN 47933
WEB SITE: WWW.BANJOCORP.COM
E-MAIL: SALES1@BANJOCORP.COM

DESCRIPTION:
2" LINE STRAINER W/ 20 MESH SCREEN

PART NUMBER:
LS200-20