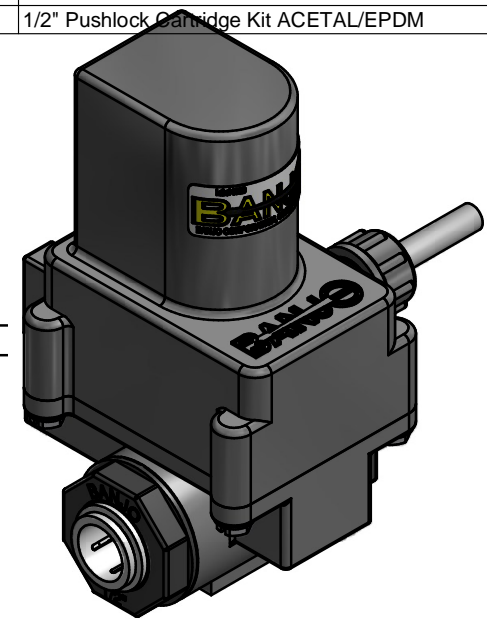
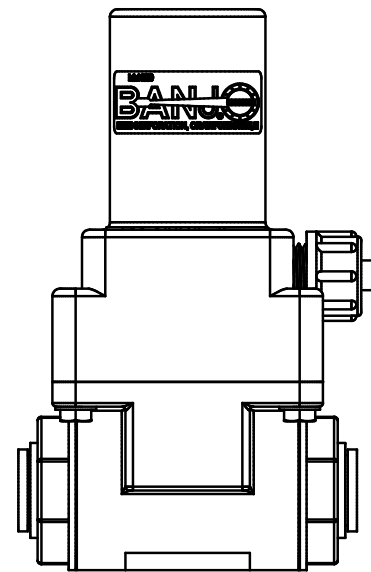


Note:

Wiring, 3 Wire

Red = +12 VDC
Black = Ground
White = Signal

		Parts List	
ITEM	QTY	PART NUMBER	DESCRIPTION
1	1	12717	#11 O'RING
2	1	12724	#14 O'RING
3	1	A035	2-035 O-ring, EPDM
4	1	AS586A010	TFE Rod Seal AS 586A - 010
5	1	AS586A013	TFE Rod Seal AS 586A - 013
6	1	LEV050PLX	1/2" LEV Valve Only Assy
7	1	LEV3000	3 Wire LEV Actuator Assy
8	4	VE15220	#6x3/4"18-8SS HWH SMS
9	1	050DECAL	CAM LEVER COUPLING DECAL
10	2	PI2816S	1/2" Pushlock Cartridge Kit ACETAL/EPDM



THIS DRAWING AND ALL INFORMATION CONTAINED THEREON ARE THE EXCLUSIVE PROPERTY OF BANJO CORPORATION.

UNLESS SPECIFICALLY NOTED, THIS DRAWING AND ITEMS SHOWN ON THIS DRAWING ARE SUBJECT TO CHANGE AT ANY TIME.

BANJO CORPORATION
150 BANJO DRIVE, CRAWFORDSVILLE, IN 47933
WEB SITE: WWW.BANJOCORP.COM
E-MAIL: SALES1@BANJOCORP.COM

BANJO CORPORATION
DESCRIPTION
1/2" Push Lock LEV Valve, 3 Wire 12VDC
PART NUMBER
LEV050PL