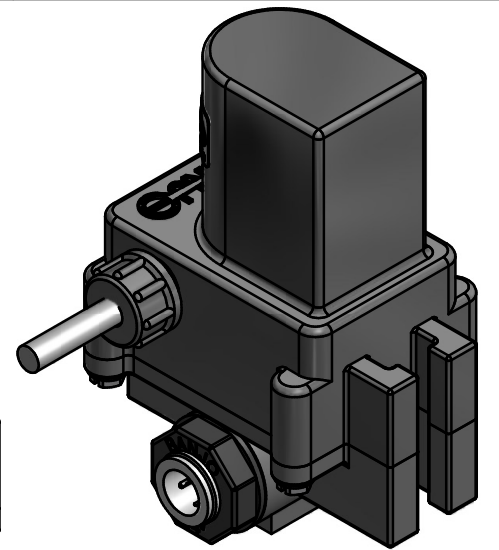
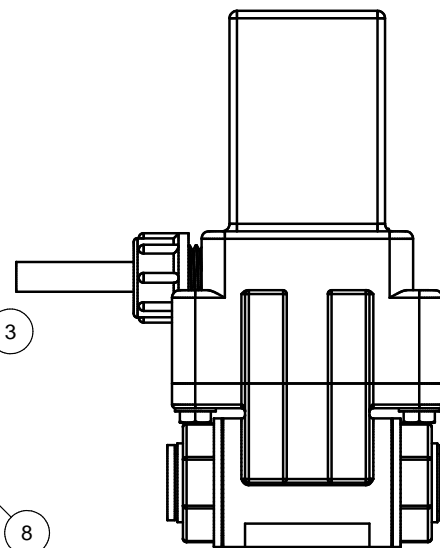
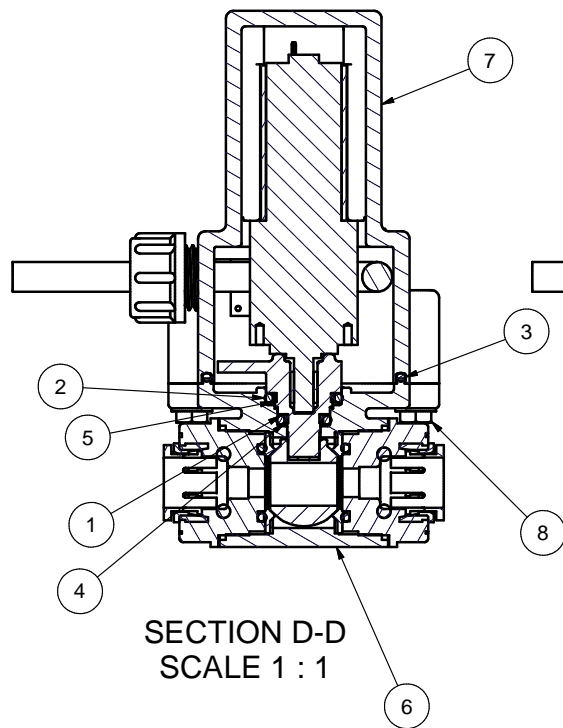
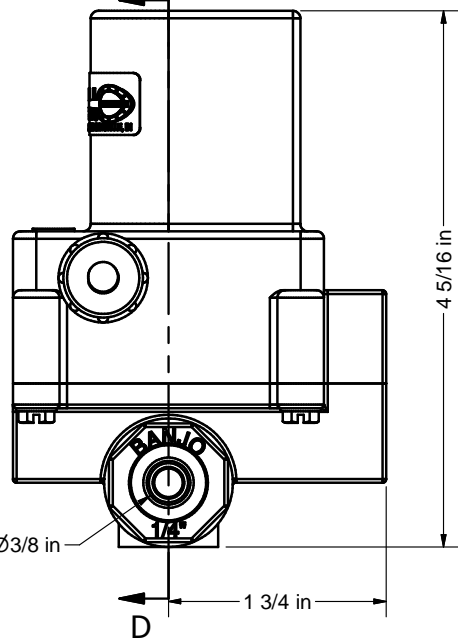


Note:
Wiring, 3 Wire
 Red = +12 VDC
 Black = Ground
 White = Signal

		Parts List	
ITEM	QTY	PART NUMBER	DESCRIPTION
1	1	12717	#11 O-RING
2	1	12724	#14 O-RING
3	1	A035	2-035 O-ring, EPDM
4	1	AS586A010	TFE Rod Seal AS 586A - 010
5	1	AS586A013	TFE Rod Seal AS 586A - 013
6	1	LEV025PLX	1/4" LEV Valve Only
7	1	LEV3000	3 Wire LEV Actuator Assy
8	4	VE15220	#6x3/4"18-8SS HWH SMS
9	1	050DECAL	CAM LEVER COUPLING DECAL
10	2	PP2812W	3/8" Pushlock Cartridge Kit PP/EPDM



THIS DRAWING AND ALL INFORMATION CONTAINED THEREON ARE THE EXCLUSIVE PROPERTY OF BANJO CORPORATION.

UNLESS SPECIFICALLY NOTED, THIS DRAWING AND ITEMS SHOWN ON THIS DRAWING ARE SUBJECT TO CHANGE AT ANY TIME.

BANJO CORPORATION

BANJO CORPORATION
 150 BANJO DRIVE, CRAWFORDSVILLE, IN 47933
 WEB SITE: WWW.BANJOCORP.COM
 E-MAIL: SALES1@BANJOCORP.COM

DESCRIPTION
 1/4" Push Lock LEV Valve, 3 Wire 12VDC
 PART NUMBER
 LEV025PL