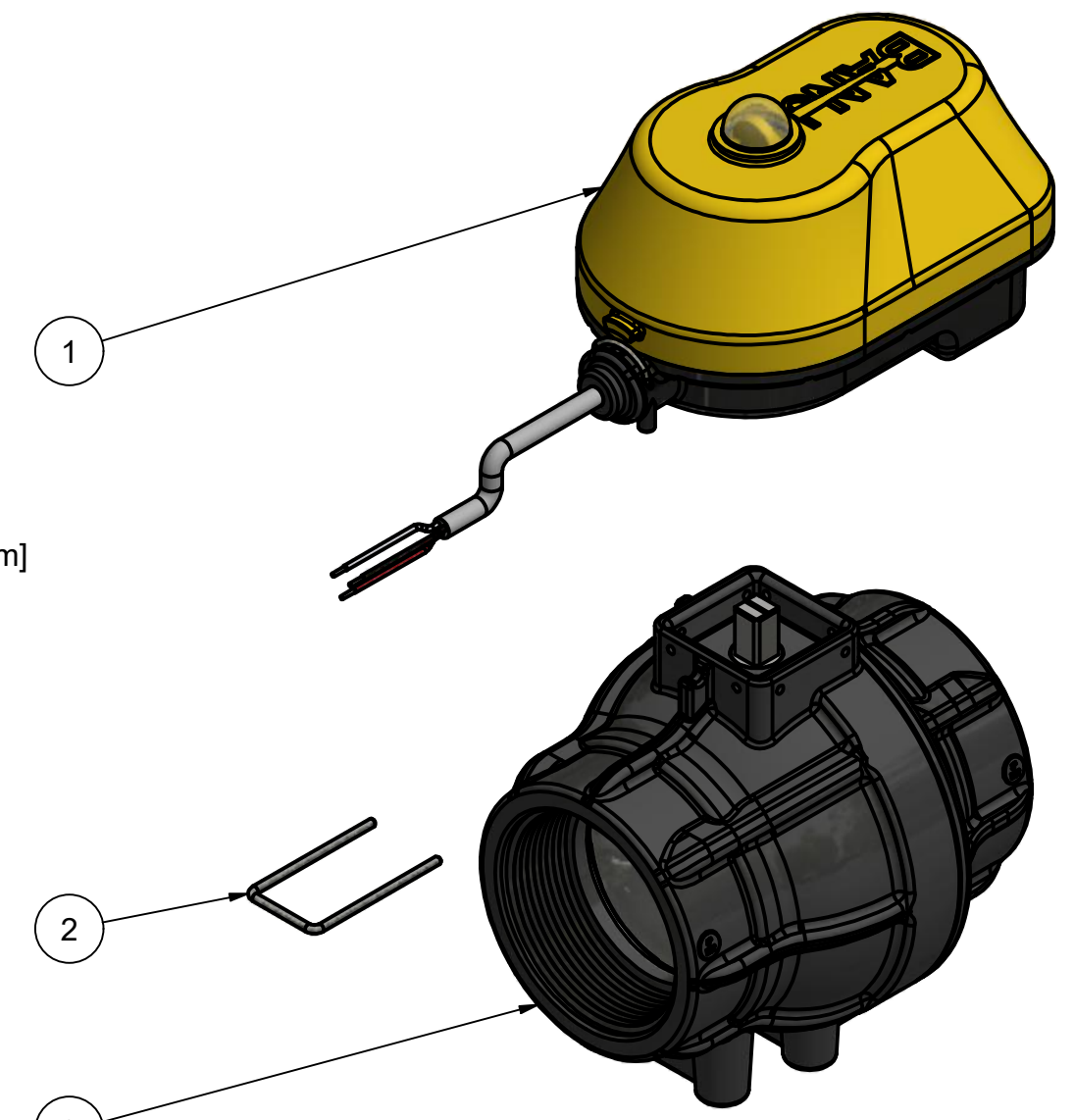


NOTES:
 WIRING:
 RED = +12VDC
 BLACK = GND
 WHITE = +12VDC (OPEN), 0VDC (CLOSE)
 WIRE LENGTH = 18" ± 1" FROM HOUSING

Parts List			
ITEM	QTY	PART NUMBER	DESCRIPTION
1	1	EP61C10310	EVX ACT 4S WWC 3W
2	1	EVP30001	EV U-PIN
3	1	EVX300HX	EVX 3"NPT FP VALVE ONLY



THIS DRAWING AND ALL INFORMATION CONTAINED THEREON ARE THE EXCLUSIVE PROPERTY OF BANJO CORPORATION.
 UNLESS SPECIFICALLY NOTED, THIS DRAWING AND ITEMS SHOWN ON THIS DRAWING ARE SUBJECT TO CHANGE AT ANY TIME.

BANJO CORPORATION
 150 BANJO DRIVE, CRAWFORDSVILLE, IN 47933
 WEB SITE: WWW.BANJOCORP.COM
 E-MAIL: BANJOSALES@IDEXCORP.COM

DESCRIPTION
 EVX 3" NPT 3"FP 4S WWC 3W

PART NUMBER
 EVX300