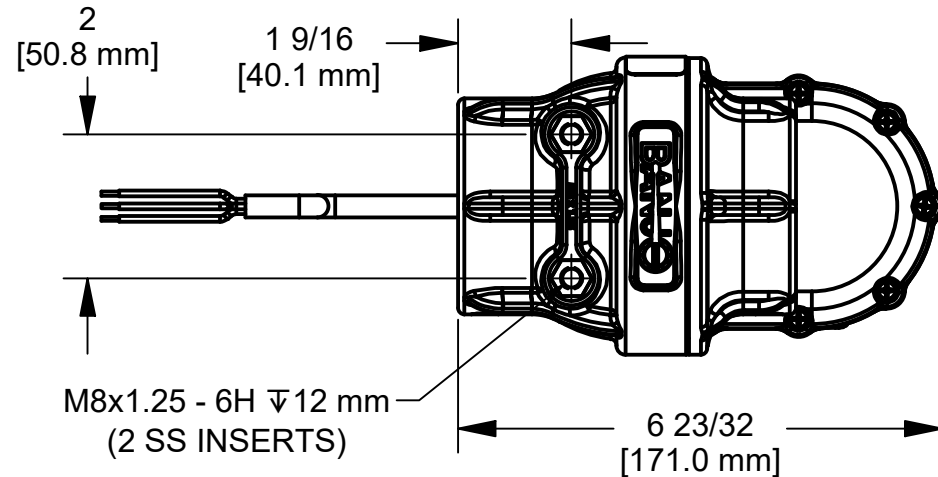
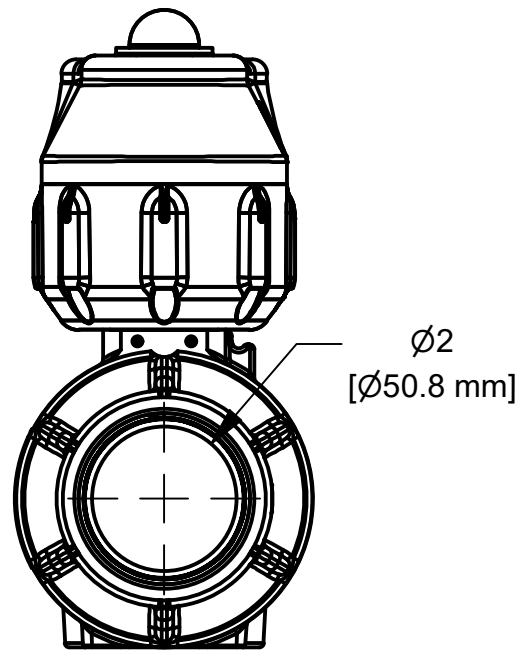
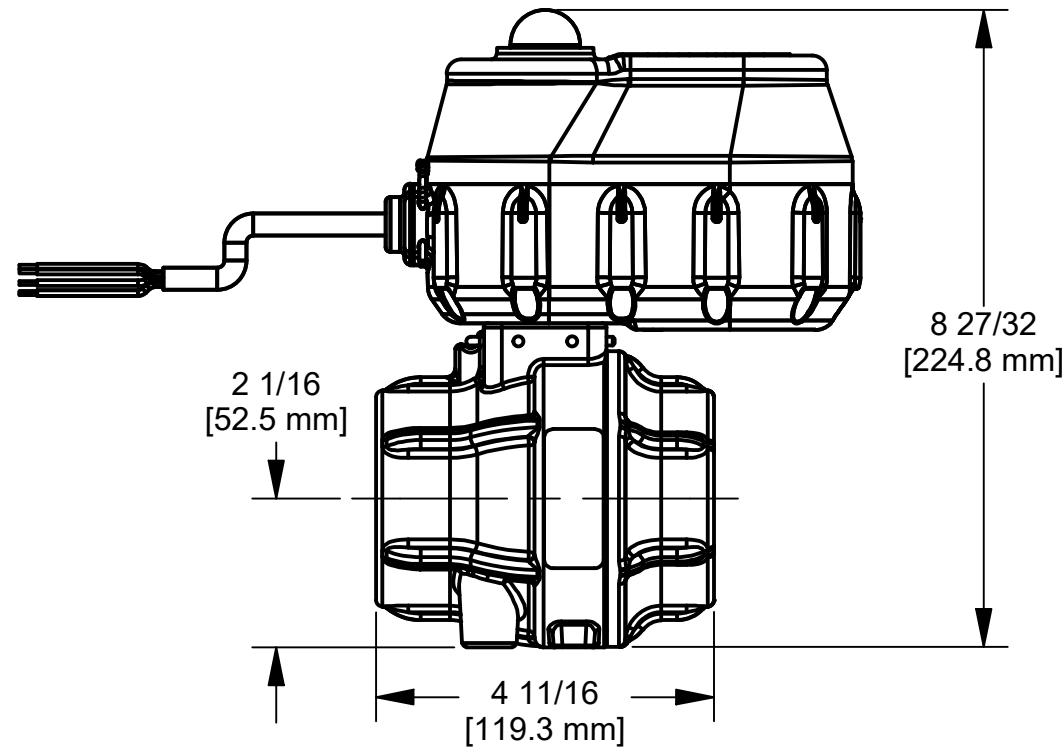
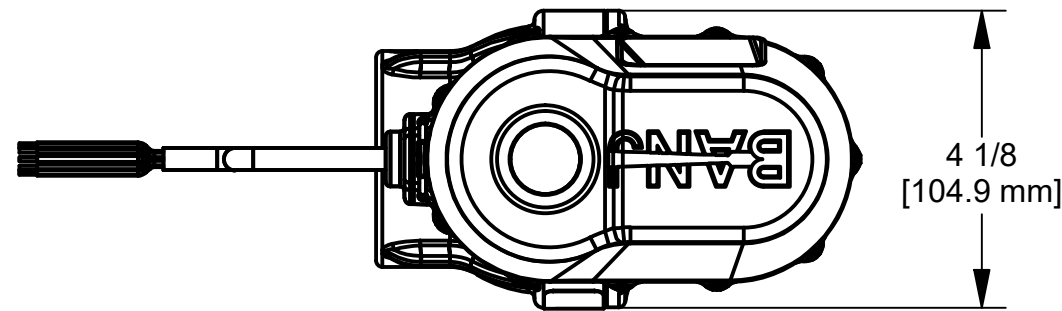


4

3

2

1



NOTES:

CABLE LENGTH: 18" ±1" FROM HOUSING.

WIRING:

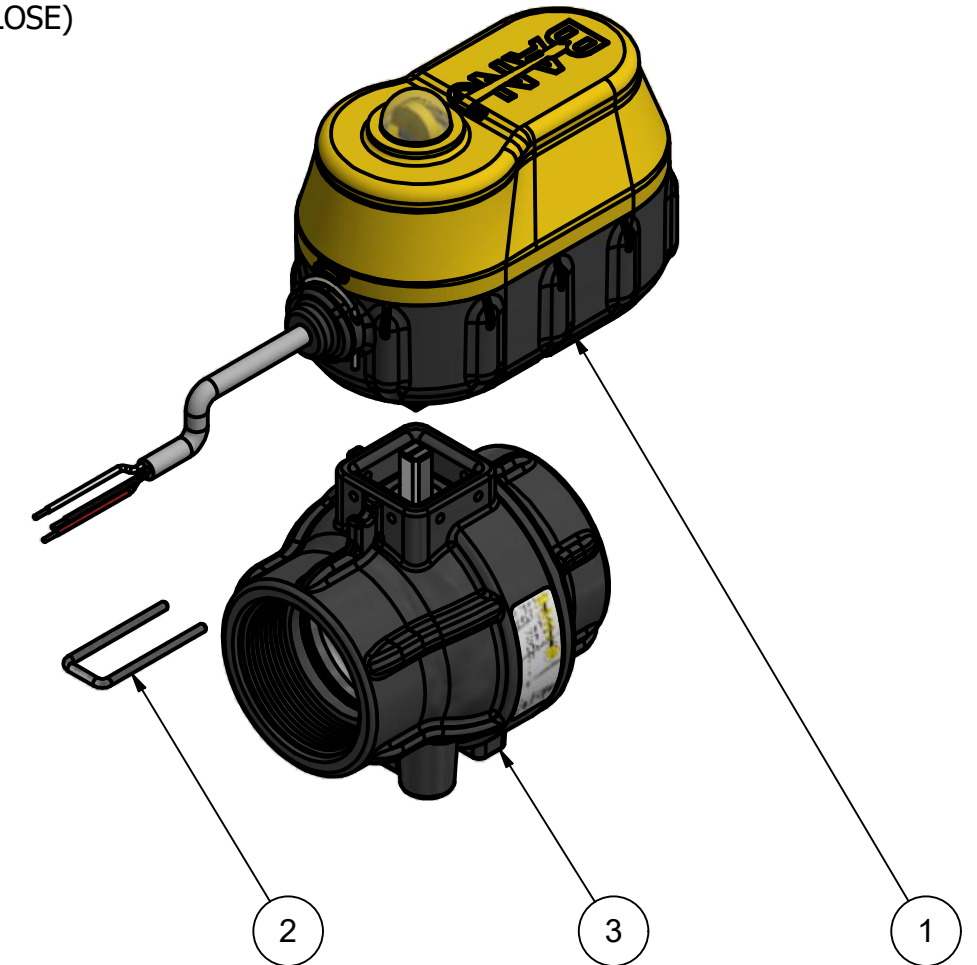
RED = +12VDC

BLACK = GND

WHITE = +12VDC (OPEN), 0VDC (CLOSE)

Parts List

ITEM	QTY	PART NUMBER	DESCRIPTION
1	1	EP31B10310	EVX ACT 1.5S WWC 3W
2	1	EVP20001	EV U-PIN
3	1	EVX220HX	2" NPT FP EVX VALVE



BANJO CORPORATION

150 BANJO DRIVE, CRAWFORDSVILLE, IN 47933
 WEB SITE: WWW.BANJOCORP.COM
 E-MAIL: BANJOSALES@IDEXCORP.COM

DESCRIPTION

EVX 2"FP 2"NPT 1.5S WWC 3W

PART NUMBER

EVX220

THIS DRAWING AND ALL INFORMATION CONTAINED THEREON ARE THE EXCLUSIVE PROPERTY OF BANJO CORPORATION.

UNLESS SPECIFICALLY NOTED, THIS DRAWING AND ITEMS SHOWN ON THIS DRAWING ARE SUBJECT TO CHANGE AT ANY TIME.