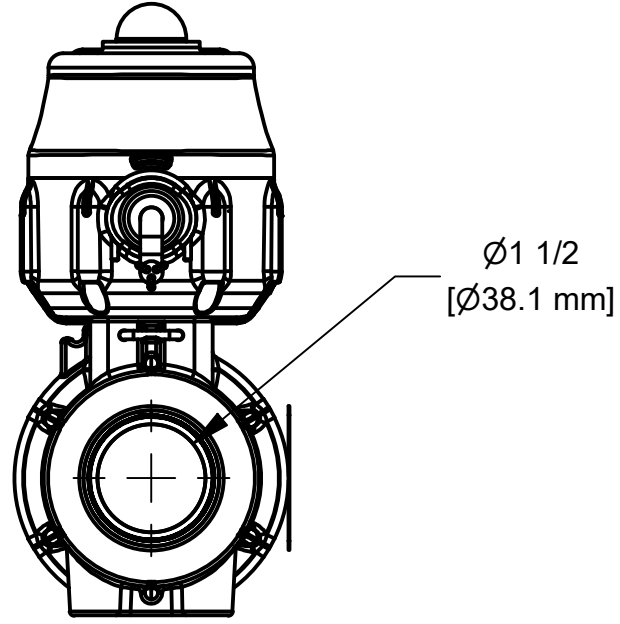


NOTES:

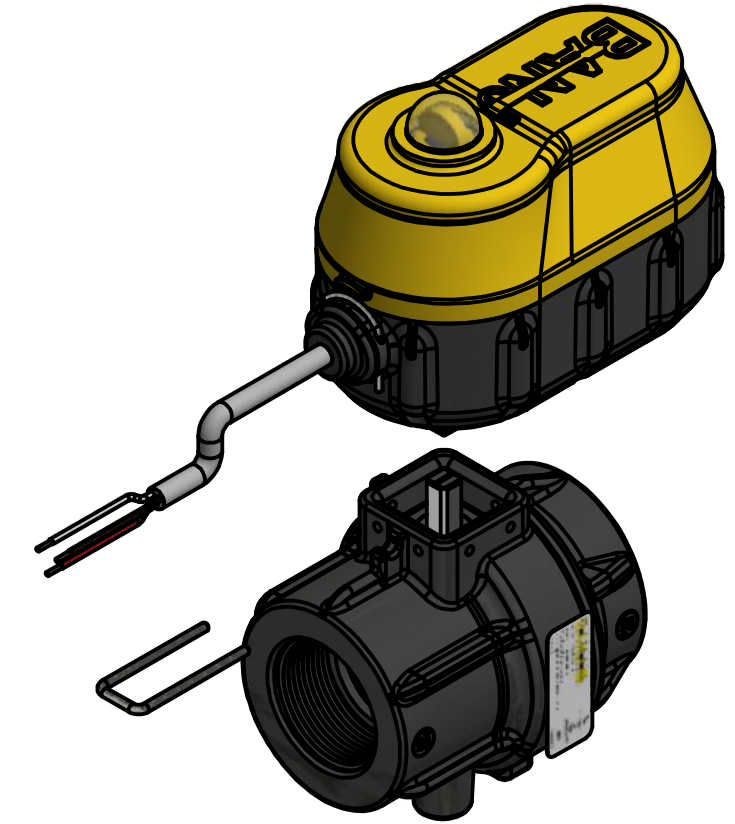
WIRING:

RED = +12VDC
 BLACK = GND
 WHITE = +12VDC (OPEN), 0VDC (CLOSE)

WIRE LENGTH: 18" ±1" FROM HOUSING.



Parts List			
ITEM	QTY	PART NUMBER	DESCRIPTION
1	1	EP31B10310	EVX ACT 1.5S WWC 3W
2	1	EVP20001	EV U-PIN
3	1	EVX150HX	1 1/2" NPT FULL PORT EV VALVE ASSY



THIS DRAWING AND ALL INFORMATION CONTAINED THEREON ARE THE EXCLUSIVE PROPERTY OF BANJO CORPORATION.

UNLESS SPECIFICALLY NOTED, THIS DRAWING AND ITEMS SHOWN ON THIS DRAWING ARE SUBJECT TO CHANGE AT ANY TIME.

BANJO CORPORATION

150 BANJO DRIVE, CRAWFORDSVILLE, IN 47933
 WEB SITE: WWW.BANJOCORP.COM
 E-MAIL: BANJOSALES@IDEXCORP.COM

DESCRIPTION
 EVX 1.5"FP 1.5"NPT 1.5S WWC 3W

PART NUMBER
 EVX150