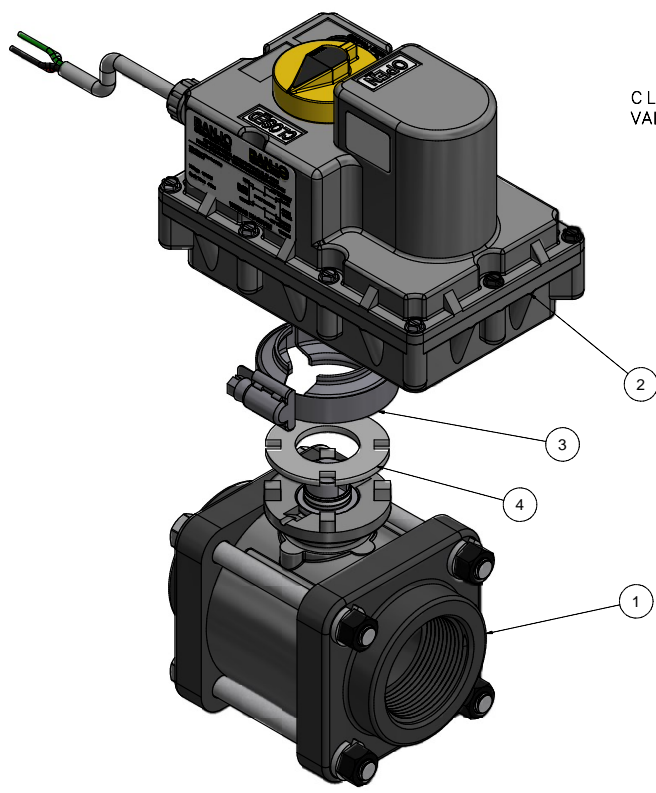
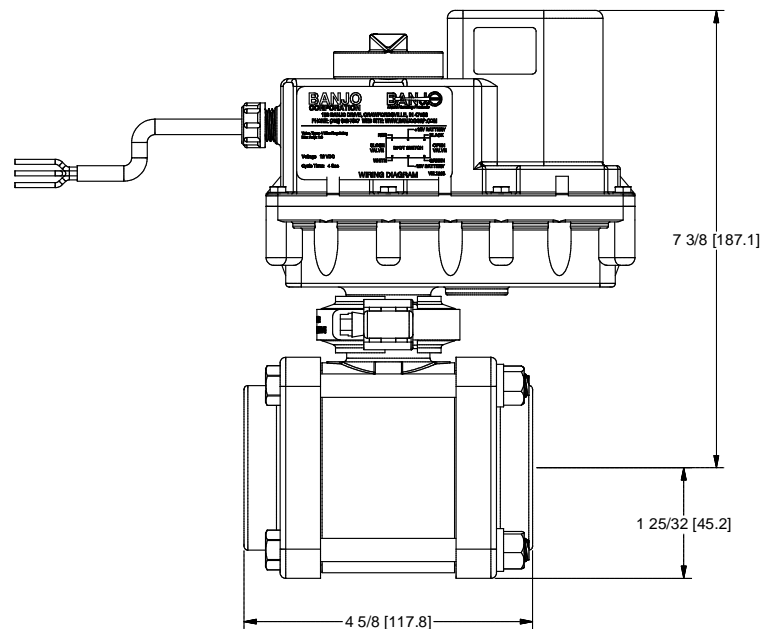
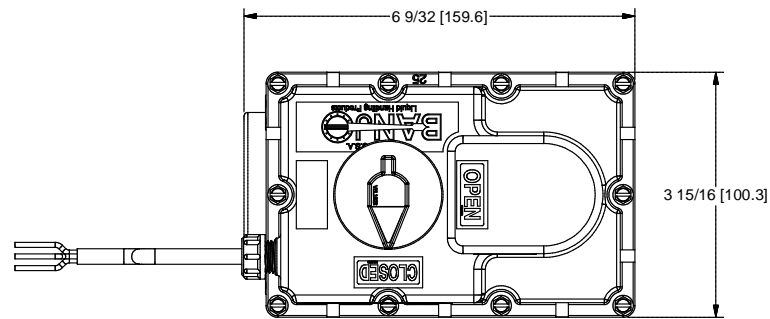
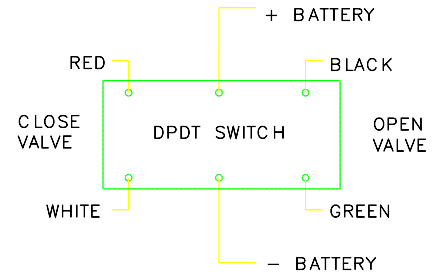


Parts List			
ITEM	QTY	PART NUMBER	DESCRIPTION
1	1	EV150XR1	1 1/2" VALVE ONLY
2	1	EVR4300	4 Sec, 4 Wire EV Actuator High Torque Assy
3	1	FC100	1" HI TORQUE CLAMP
4	1	MVE004	MVE Mounting Breather



WIRING DIAGRAM



THIS DRAWING AND ALL INFORMATION CONTAINED THEREON ARE THE EXCLUSIVE PROPERTY OF BANJO CORPORATION.
UNLESS SPECIFICALLY NOTED, THIS DRAWING AND ITEMS SHOWN ON THIS DRAWING ARE SUBJECT TO CHANGE AT ANY TIME.

BANJO CORPORATION
 BANJO CORPORATION
 150 BANJO DRIVE, CRAWFORDSVILLE, IN 47933
 WEB SITE: WWW.BANJOCORP.COM
 E-MAIL: BANJOSALES@IDEXCORP.COM

DESCRIPTION	1 1/2" Electric Valve 4 Sec, 4 Wire, Reg
PART NUMBER	EV150