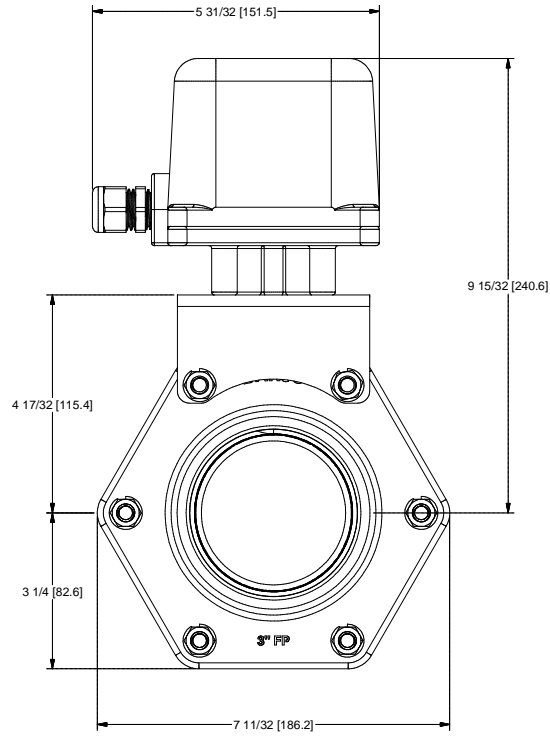
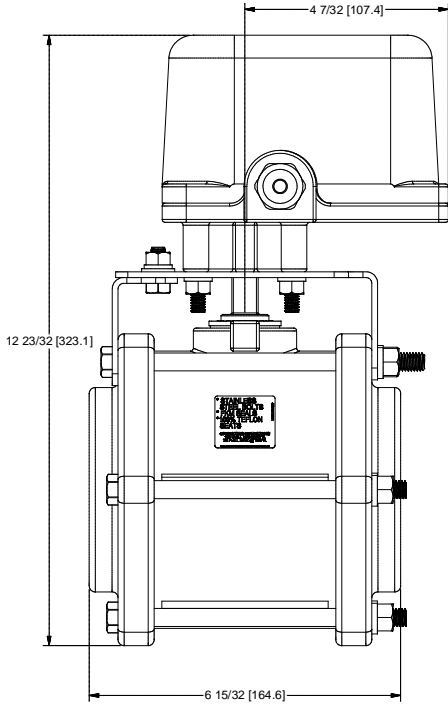
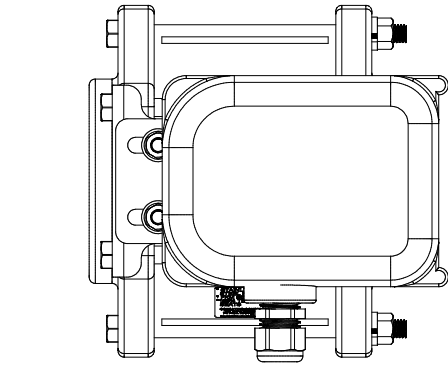
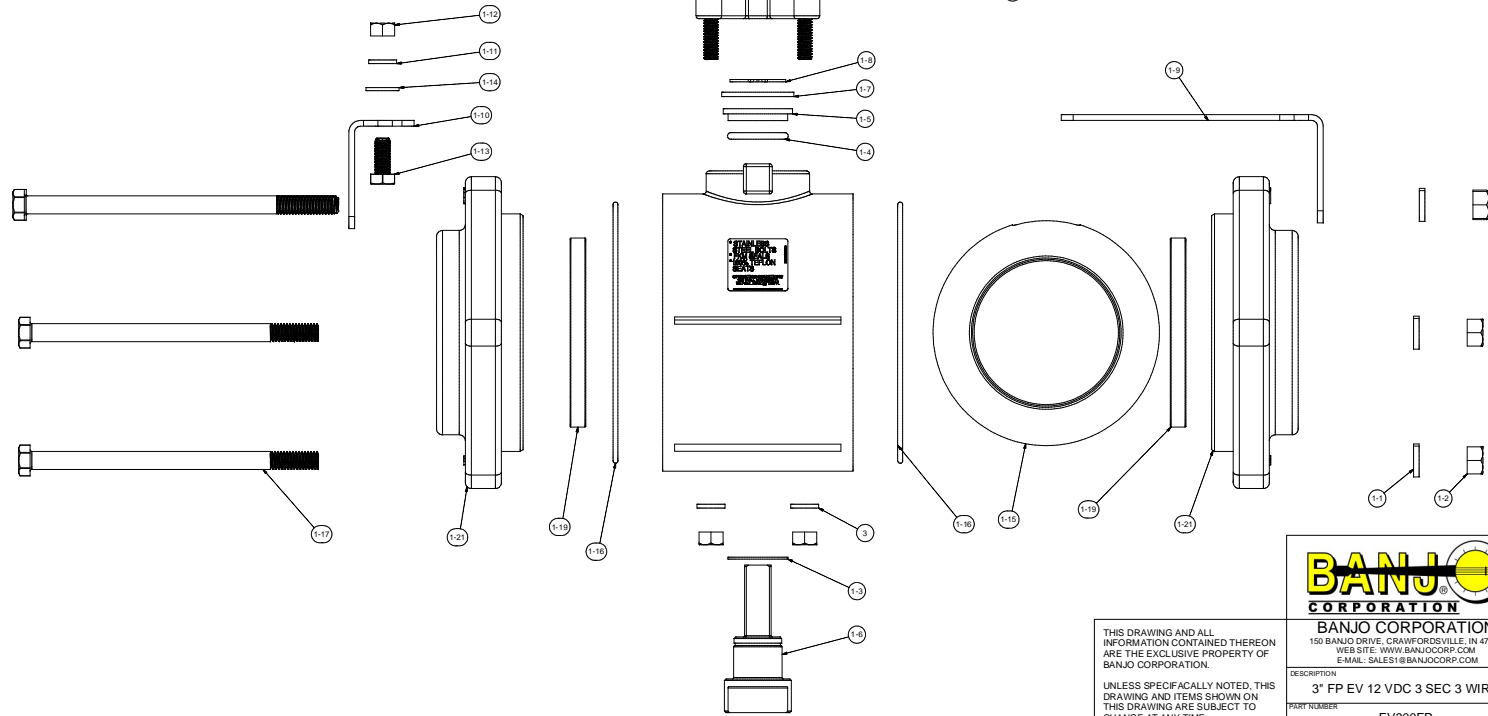


		Parts List	
ITEM	QTY	PART NUMBER	DESCRIPTION
1	1	EV300XR1A	3" FP Electric Valve Only
1-1	6	V20018	3/8" LOCKWASHER
1-2	6	V20019	3/8" HEX NUT
1-3	1	V25060	VALVE STEM THRUST BEARING
1-4	1	V25163	#214 FKM O-RING
1-5	1	V25160	Stem Bushing
1-6	1	VE30151SS	Electric Valve Stem SS
1-7	1	VE30121	1" 18-8SS Shim
1-8	1	VE30022	1" External Snap Ring - SS
1-9	1	VE35188	4" Valve Actuator Large Bracket
1-10	1	VE35189	4" Valve Actuator Small Bracket
1-11	2	V10118	5/16" LOCKWASHER
1-12	2	V10119	5/16" HEX NUT
1-13	2	I7019	5/16-18 X 3/4" HHCS
1-14	2	I2901	5/16" FLAT WASHER
1-15	1	V35255ASS	3" FP SS Hollow Ball
1-16	2	V35265	3" FP body O-ring FKM
1-17	4	V35017	3/8"-16 x 6" HHCS, 18-8SS
1-18	2	V35018	3/8"-16 x 6.5" HHCS, 18-8SS
1-19	2	VE35258B	3" FP Ball Seat
1-20	1	V35254	3" FP VALVE BODY
1-21	2	V35264	3" FP End Plate
2	1	VE5630	Rex Actuator, 12VDC, 3 Sec, 3 Wire
3	4	V10118	5/16" LOCKWASHER
4	4	V10119	5/16" HEX NUT



Cycle Time: 3 sec / quarter turn  
Voltage: 12 VDC



**BANJO CORPORATION**  
 150 BANJO DRIVE, CRAWFORDSVILLE, IN 47933  
 WEB SITE: WWW.BANJOCORP.COM  
 E-MAIL: SALES1@BANJOCORP.COM

DESCRIPTION:  
 3" FP EV 12 VDC 3 SEC 3 WIRE

PART NUMBER: EV300FP

THIS DRAWING AND ALL INFORMATION CONTAINED THEREON ARE THE EXCLUSIVE PROPERTY OF BANJO CORPORATION.  
 UNLESS SPECIFICALLY NOTED, THIS DRAWING AND ITEMS SHOWN ON THIS DRAWING ARE SUBJECT TO CHANGE AT ANY TIME.