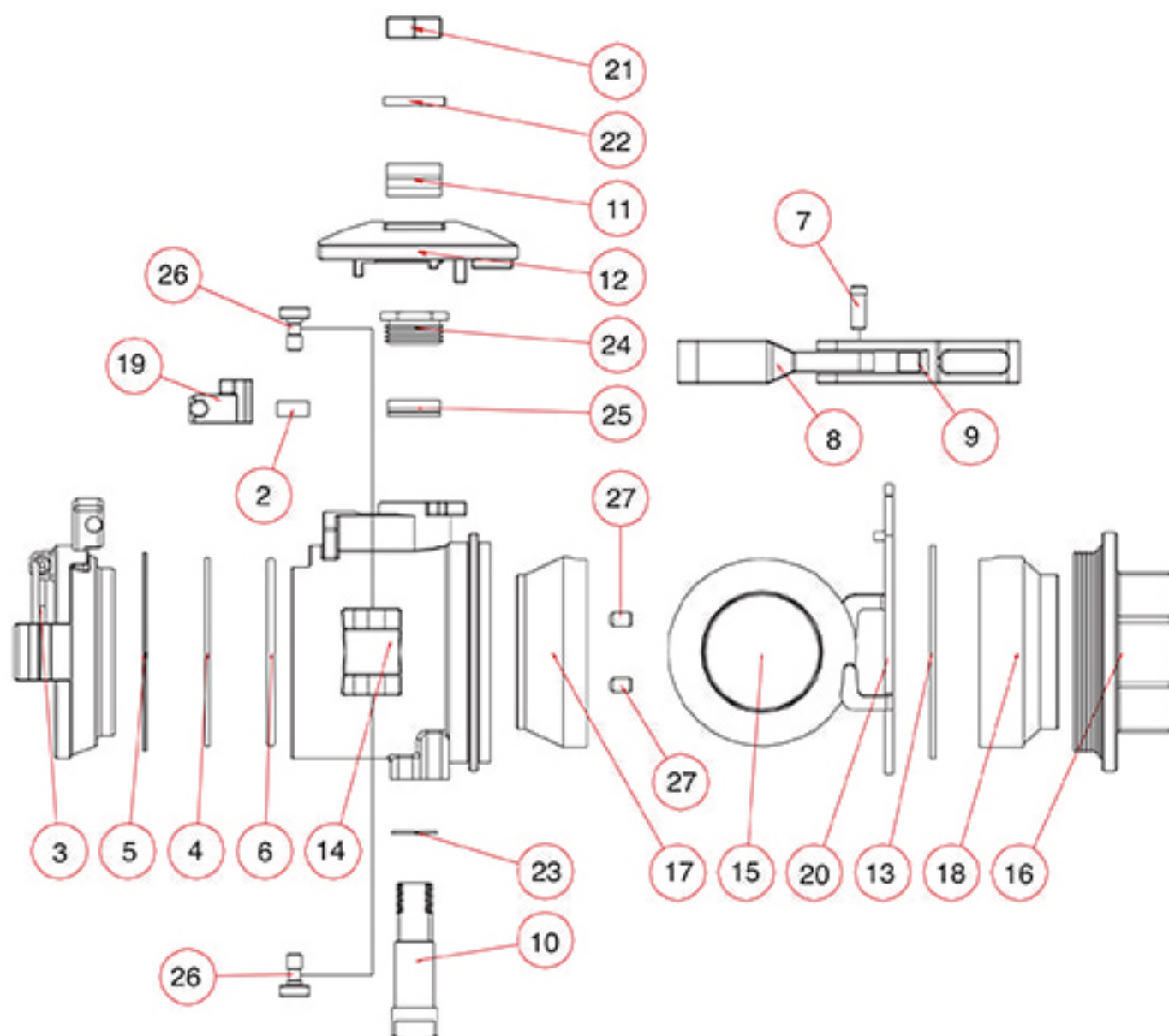
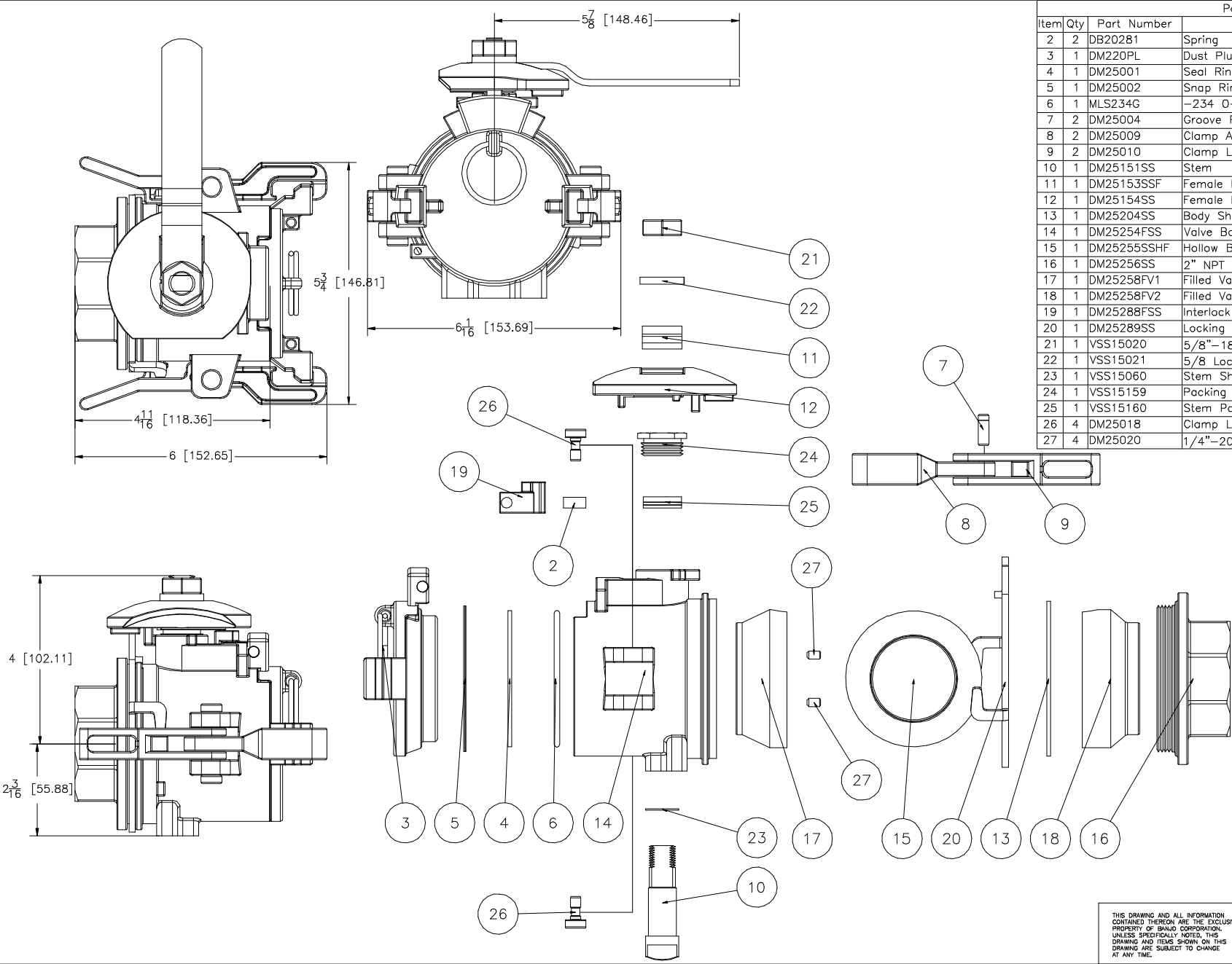


Part Number : DM220DSSE



Item	Part No.	Description	Qty.
2	DB20281	Button Spring	2
3	DM220PL	Dust Plug	1
4	DM25001	Seal Ring	1
5	DM25002	Snap Ring	1
6	MLS234G	EPDM 234 O-Ring (old style)	1
6	MLS234GV*	FKM?(viton type)?234 O-Ring (old style)	1
6	DM25294	2" FP FKM(viton type) Face Seal (new style)	1
7	DM25004	Groove Pin	2
8	DM25009	Clamp Arm	2
9	DM25010	Clamp Lever (old style)	2
9	DM25010A	Clamp Lever (new style)	2
10	DM25151SS	Stem	1
11	DM25153SSF	Female Handle	1
12	DM25154SS	Female Handle Interlock	1
13	DM25204SS*	Body Shim	4
14	DM25254FSS	Body	1
15	DM25255SSHf	Ball	1
16	DM25256SS	End Plate	1
17	DM25258FV1*	Filled Valve Body Seat PTFE	1
18	DM25258FV2*	Filled Valve Body Plate Seat PTFE	1
19	DM25288FSS	Interlock Button	1
20	DM25289SS	Locking Yoke	1
21	VSS15020	5/8" - 20 Jam Nut	1
22	VSS15021	5/8" Lock Washer	1
23	VSS15060*	Stem Packing	1
24	VSS15159	Packing Nut	1
25	VSS15160*	Stem Shim	1
26	DM25018	Cam Lever Pin (old style)	4
26	DM25018A	Cam Lever Pin (new style)	4
27	DM25020	#10- 24 x 5/16" Set Screw	4



Parts List				
Item	Qty	Part Number	Description	Material
2	2	DB20281	Spring	316SS
3	1	DM220PL	Dust Plug	PP
4	1	DM25001	Seal Ring	316SS
5	1	DM25002	Snap Ring Smalley -337	316SS
6	1	MLS234G	-234 O-ring	EPDM
7	2	DM25004	Groove Pin	18-8 SS
8	2	DM25009	Clamp Arm	316SS
9	2	DM25010	Clamp Lever	316SS
10	1	DM25151SS	Stem	316SS
11	1	DM25153SSF	Female Handle	18-8SS
12	1	DM25154SS	Female Handle Interlock	316SS
13	1	DM25204SS	Body Shim	PTFE
14	1	DM25254FSS	Valve Body	316SS
15	1	DM25255SSH	Hollow Ball	316SS
16	1	DM25256SS	2" NPT Endplate	316SS
17	1	DM25258FV1	Filled Valve Body Seat	PTFE
18	1	DM25258FV2	Filled Valve EP Seat	PTFE
19	1	DM25288FSS	Interlock Button	316SS
20	1	DM25289SS	Locking Yoke	316SS
21	1	VSS15020	5/8"-18 Jam Nut	18-8 SS
22	1	VSS15021	5/8 Lock Washer	18-8 SS
23	1	VSS15060	Stem Shim	PTFE
24	1	VSS15159	Packing Nut	316SS
25	1	VSS15160	Stem Packing	PTFE
26	4	DM25018	Clamp Lever Pin	18-8 SS
27	4	DM25020	1/4"-20-3/8" Set Screw	18-8 SS



BANJO CORPORATION
150 BANJO DR. • CRAWFORDSVILLE, IN 47933

PART NO. DM220DSSE

TITLE 2" FP SS Female Dry Mate EPDM

THIS DRAWING AND ALL INFORMATION CONTAINED THEREON ARE THE EXCLUSIVE PROPERTY OF BANJO CORPORATION. UNLESS SPECIFICALLY NOTED, THIS DRAWING AND ITEMS SHOWN ON THIS DRAWING ARE SUBJECT TO CHANGE AT ANY TIME.