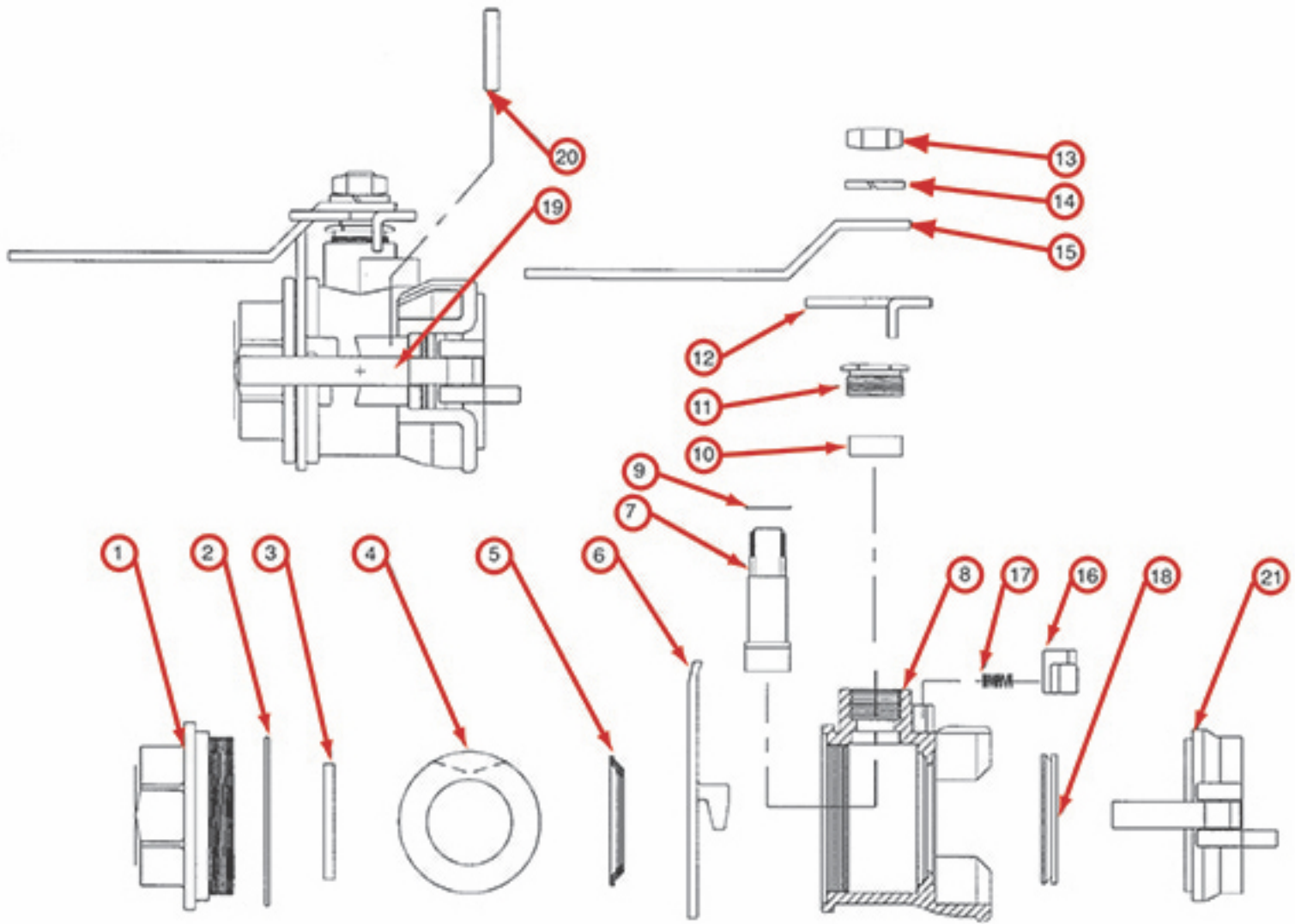


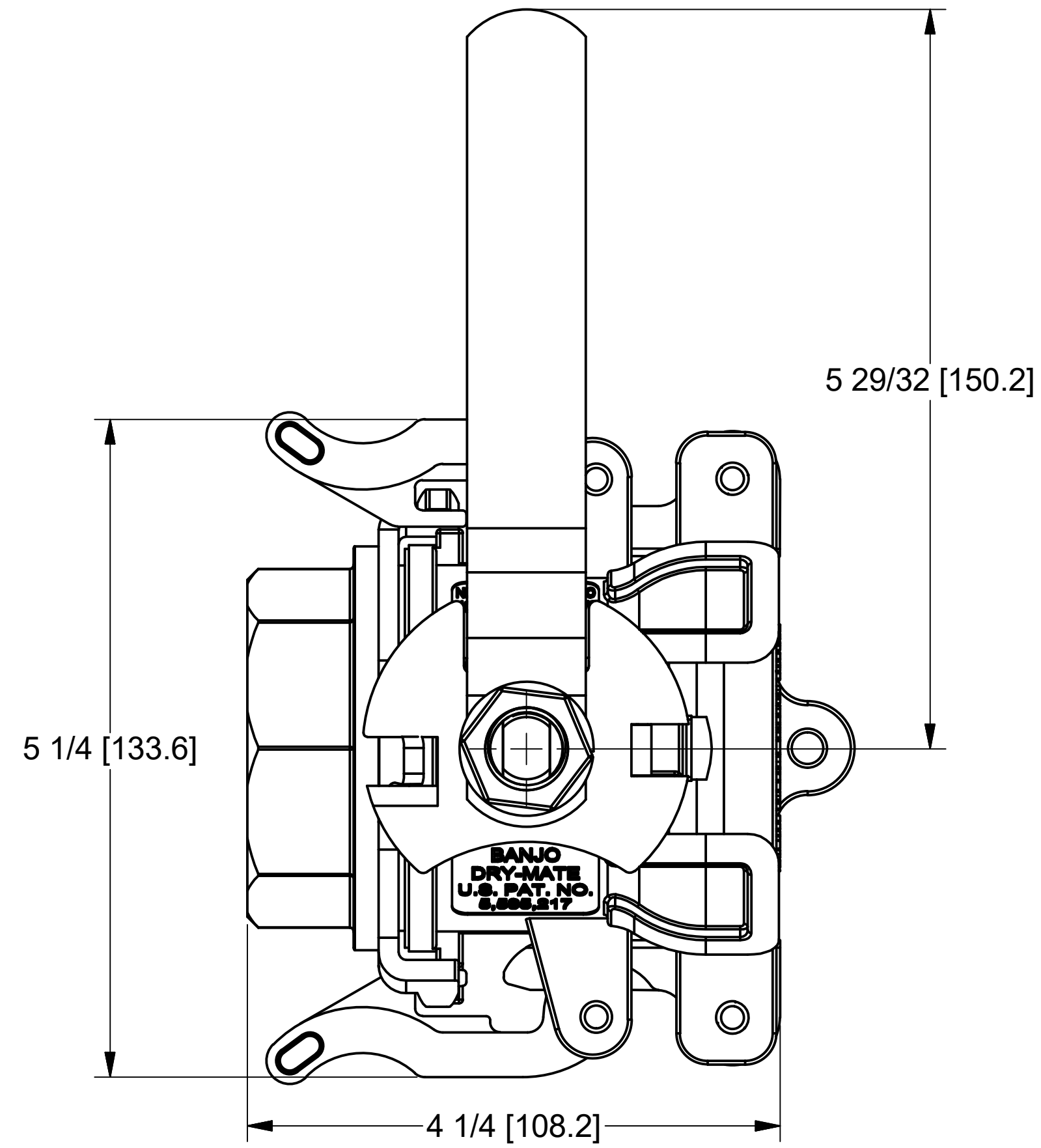
**Part Number : DM200DSSE**



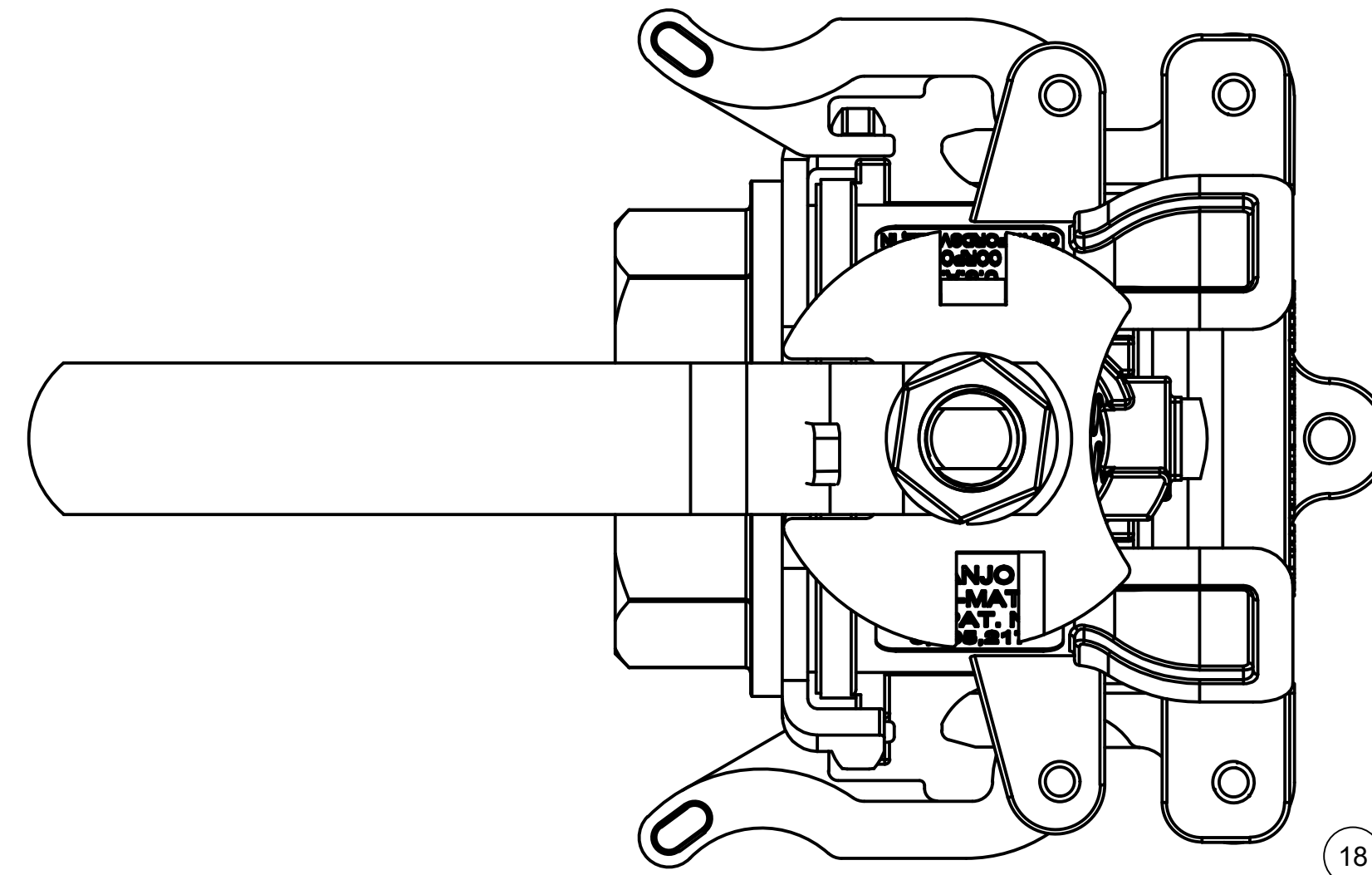
Item	Part No.	Description	Qty.
1	DM15256FSS	2" NPT End Plate	1
2	DM15204SS*	Body Gasket	1
3	V20258*	Seat	1
4	DM15255FSS*	Ball	1
5	DB20258*	Body	1
6	DM15289SS	Locking Yoke	1
7	DM15151SS	Stem	1
8	DM15154FSS	Body	1
9	VSS15060*	Thrust Bearing	1
10	VSS15160*	Stem Packing	1
11	VSS15159	Packing Nut	1
12	DM15154SS	Interlock Cam	1
13	VSS15020	5/8" - 18 Jam Nut	1
14	VSS15021	5/8" Lock Washer	1
15	DM15153SS	Handle	1
16	DM15288SS	Button	1
17	DB20281	Spring	1
18	DM20295A	EPDM Face Seal	1
19	DM200KX	Cam Arm	2
20	200P	Pin	2
21	DM200APL	Dust Plug	1



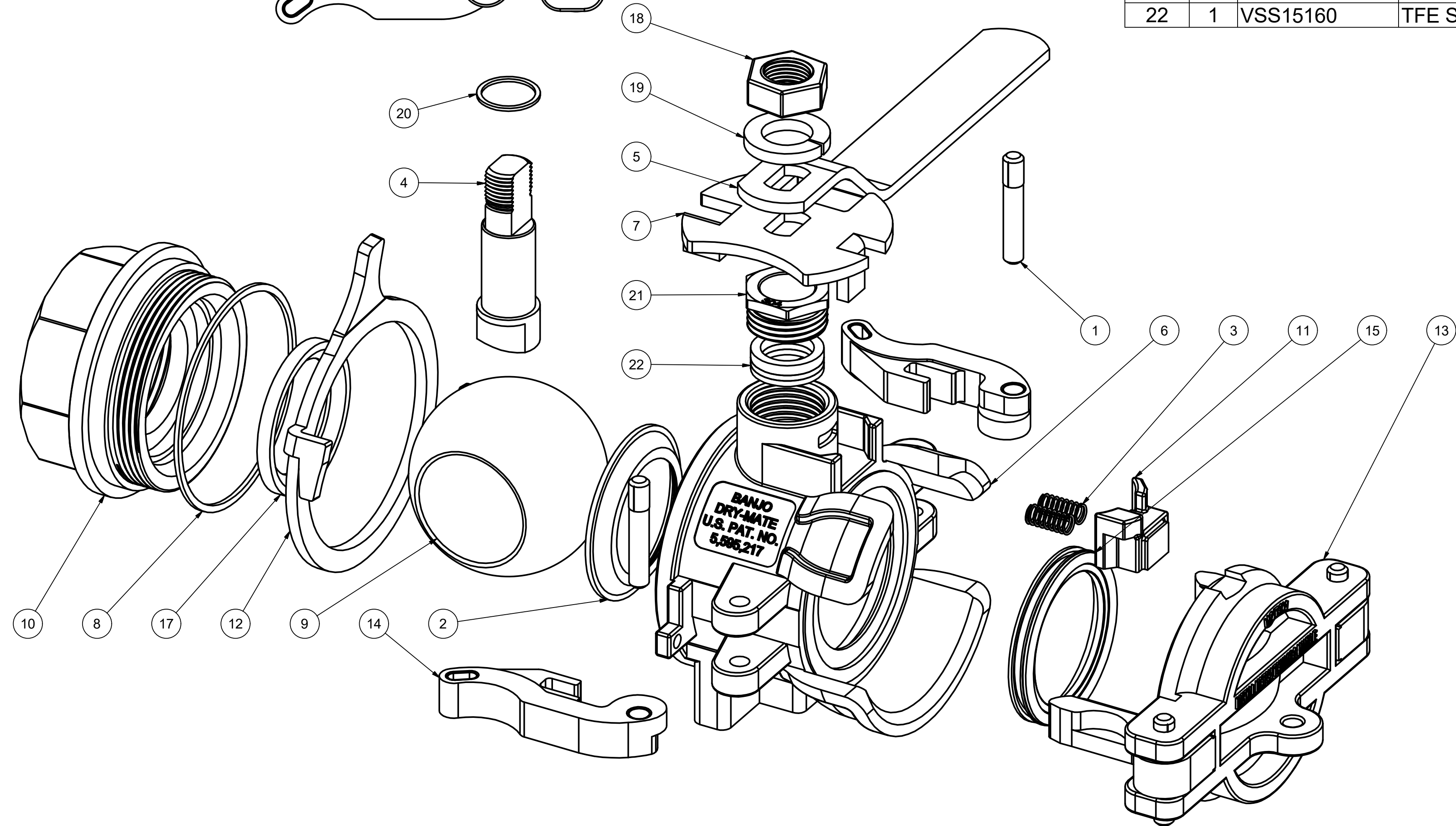
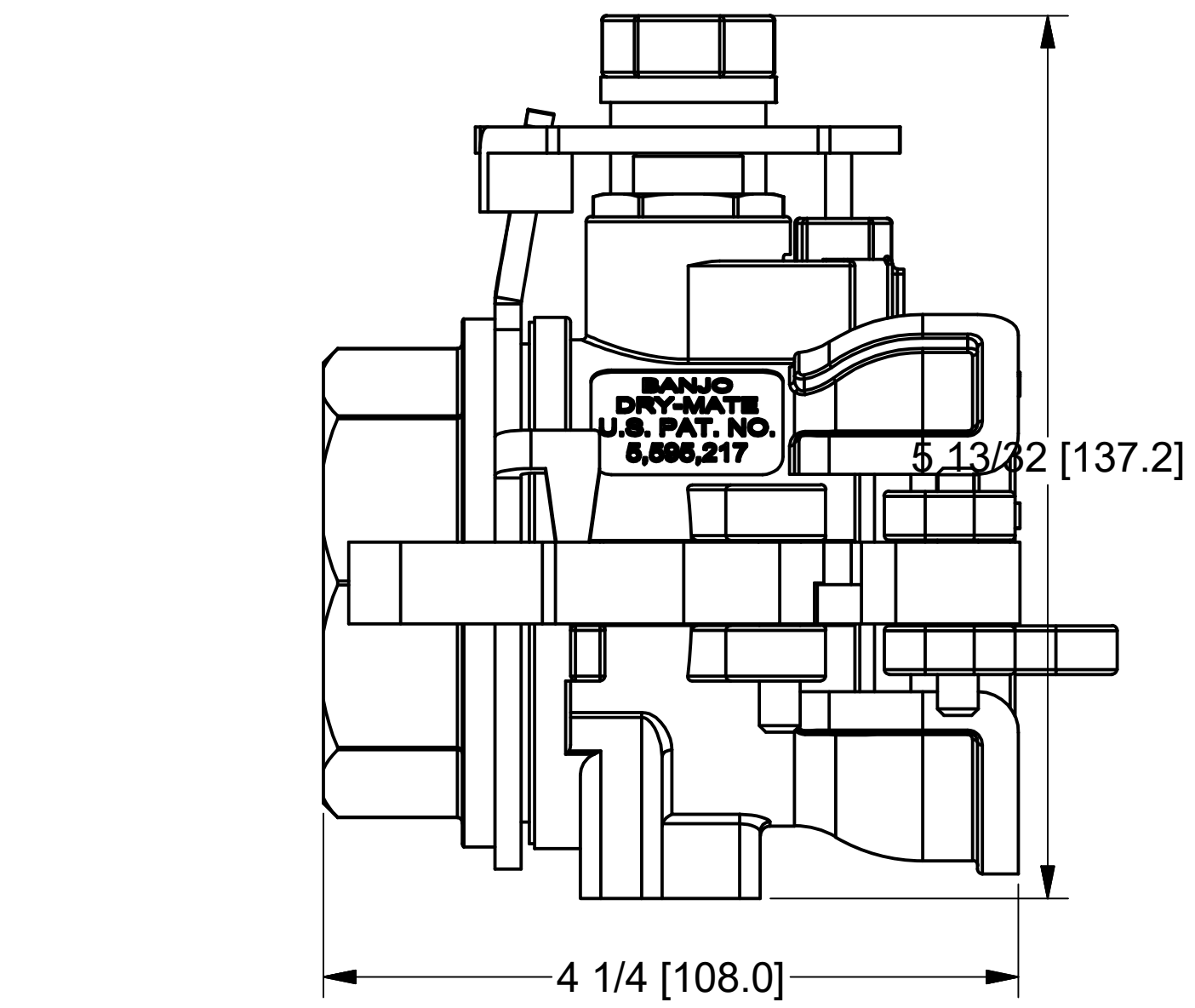
HANDLE IN CLOSED POSITION



HANDLE IN OPEN POSITION



Parts List			
ITEM	QTY	PART NUMBER	DESCRIPTION
1	2	200P	CAM ARM PIN
2	1	DB20258	2" DRYMATE TEFLON SEAT
3	2	DB20281	Dry Mate Handle Interlock Spring
4	1	DM15151SS	1 1/2" SS DM Stem
5	1	DM15153SS	2" Dry Mate Male Handle
6	1	DM15154FSS	1-1/2" & 2" FEMALE SS DRYMATE BODY
7	1	DM15154SS	DM200SS Interlock Cam, Female
8	1	DM15204SS	DM150 BODY GASKET
9	1	DM15255FSS	1 1/2" SS Female Drymate Ball
10	1	DM15256FSS	2" FNPT SS DRYMATE ENDPLATE
11	1	DM15288SS	ANTI ROTATION BUTTON 316SS
12	1	DM15289SS	1-1/2" LOCKING YOKE DM 316SS
13	1	DM200APL	2" DRYMATE PLUG ASSY
14	2	DM200KX	2" DRYMATE CAM ARM
15	1	DM20295A	2" DRYMATE SEAL
16	1	V20207A	Polyurethane Lanyard
17	1	V20258	2" Ball Seat
18	1	VSS15020	5/8"-18 SS Jam Nut
19	1	VSS15021	5/8" Lock Washer
20	1	VSS15060	2" SS Thrust Washer
21	1	VSS15159	1 1/2" SS Gland Nut
22	1	VSS15160	TFE Stem Packing



THIS DRAWING AND ALL INFORMATION CONTAINED THEREON ARE THE EXCLUSIVE PROPERTY OF BANJO CORPORATION.

UNLESS SPECIFICALLY NOTED, THIS DRAWING AND ITEMS SHOWN ON THIS DRAWING ARE SUBJECT TO CHANGE AT ANY TIME.

BANJO CORPORATION  
 150 BANJO DRIVE, CRAWFORDSVILLE, IN 47933  
 WEB SITE: WWW.BANJO.CORP.COM  
 E-MAIL: BANJOSALES@DEXCORP.COM

DESCRIPTION  
**2" SS FEMALE DRYMATE EPDM**

PART NUMBER  
**DM200DSSE**