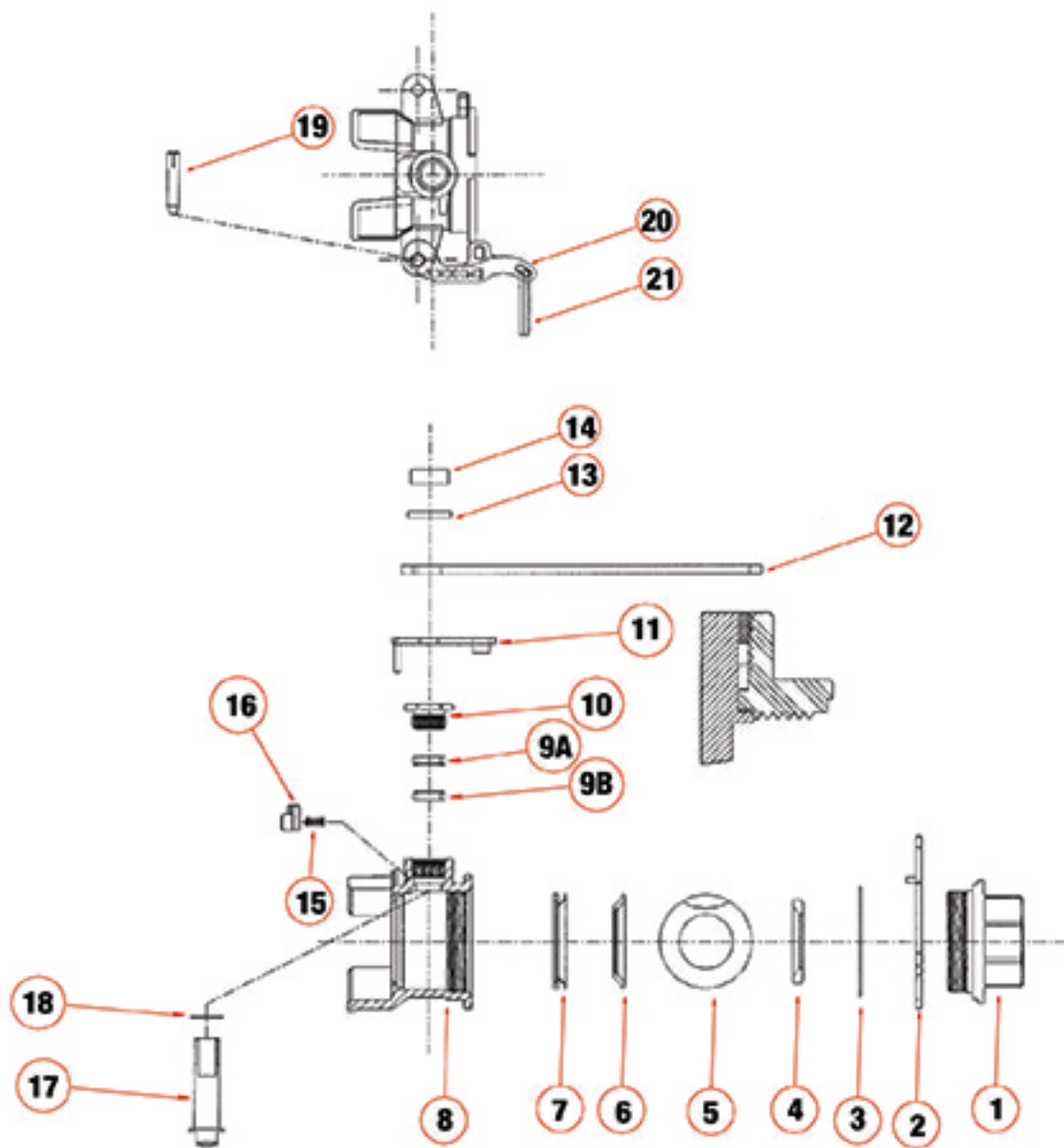
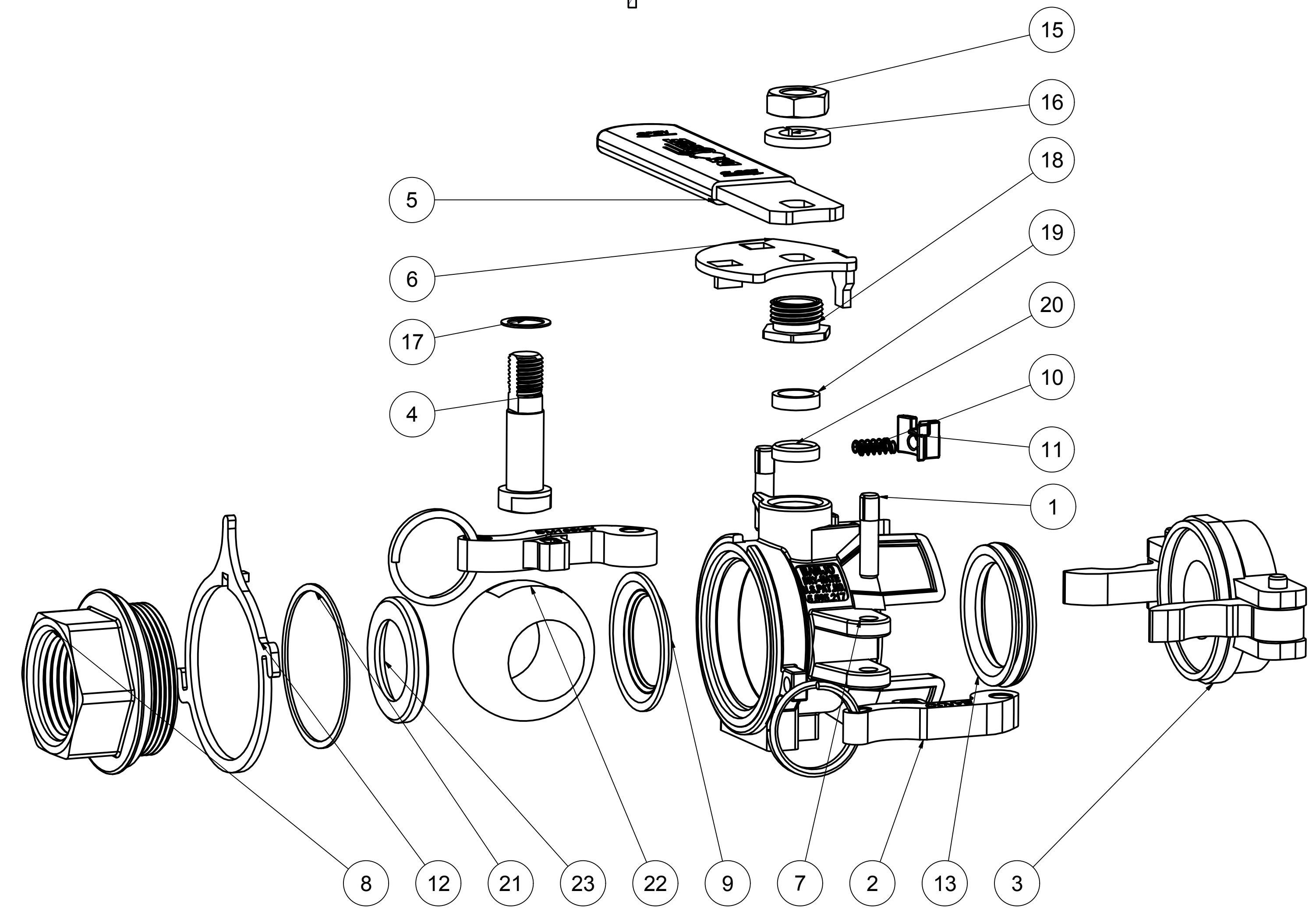
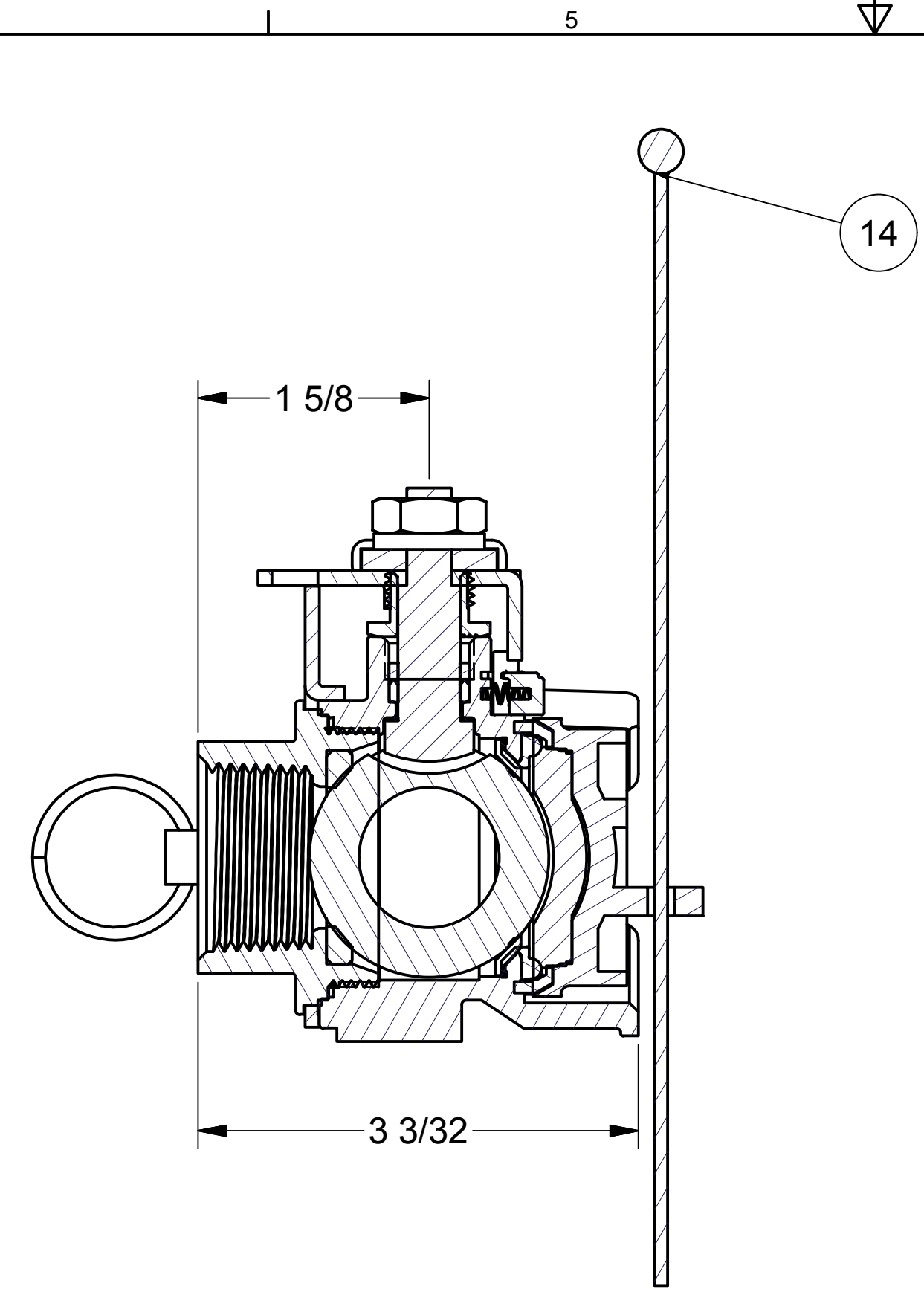
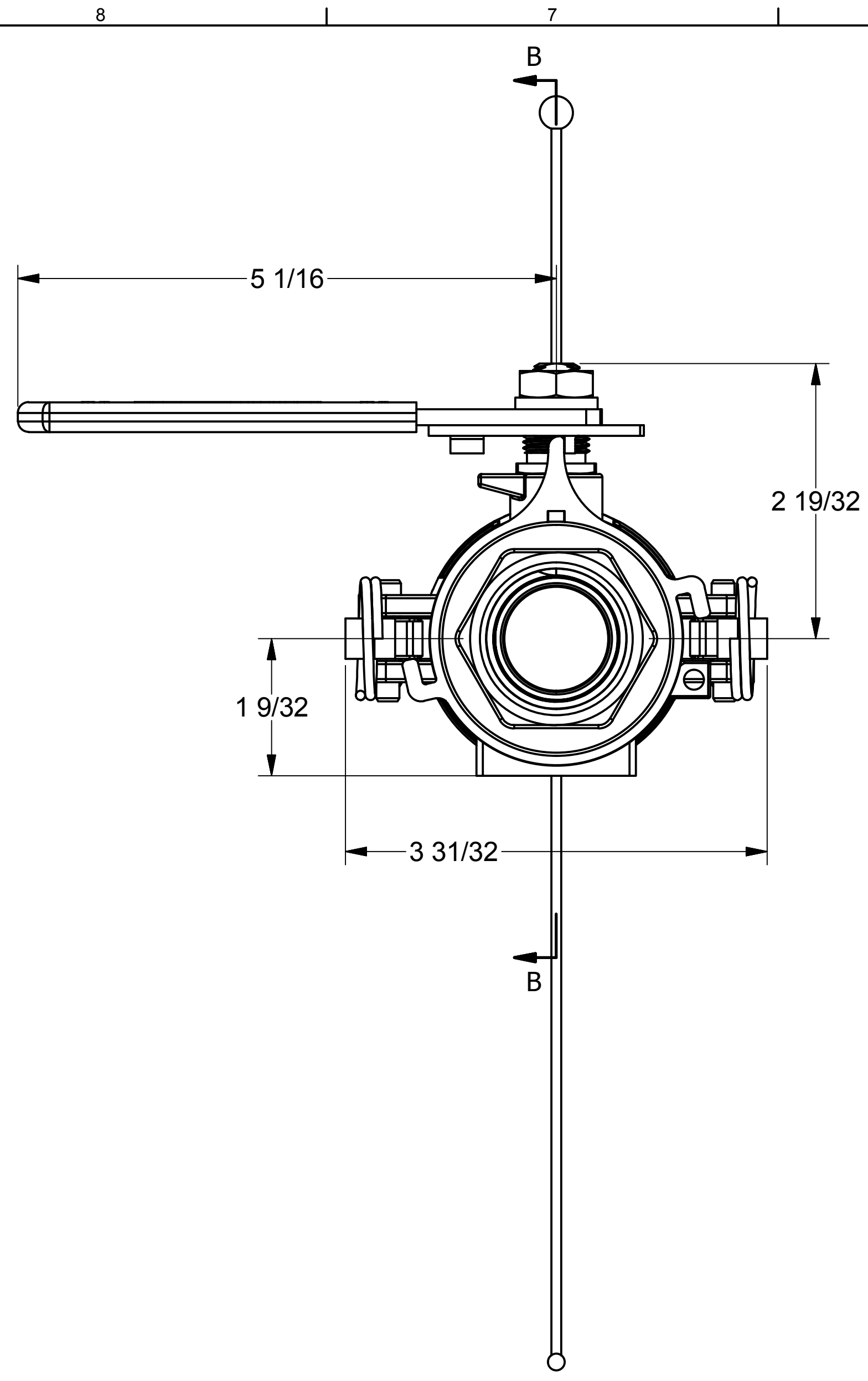


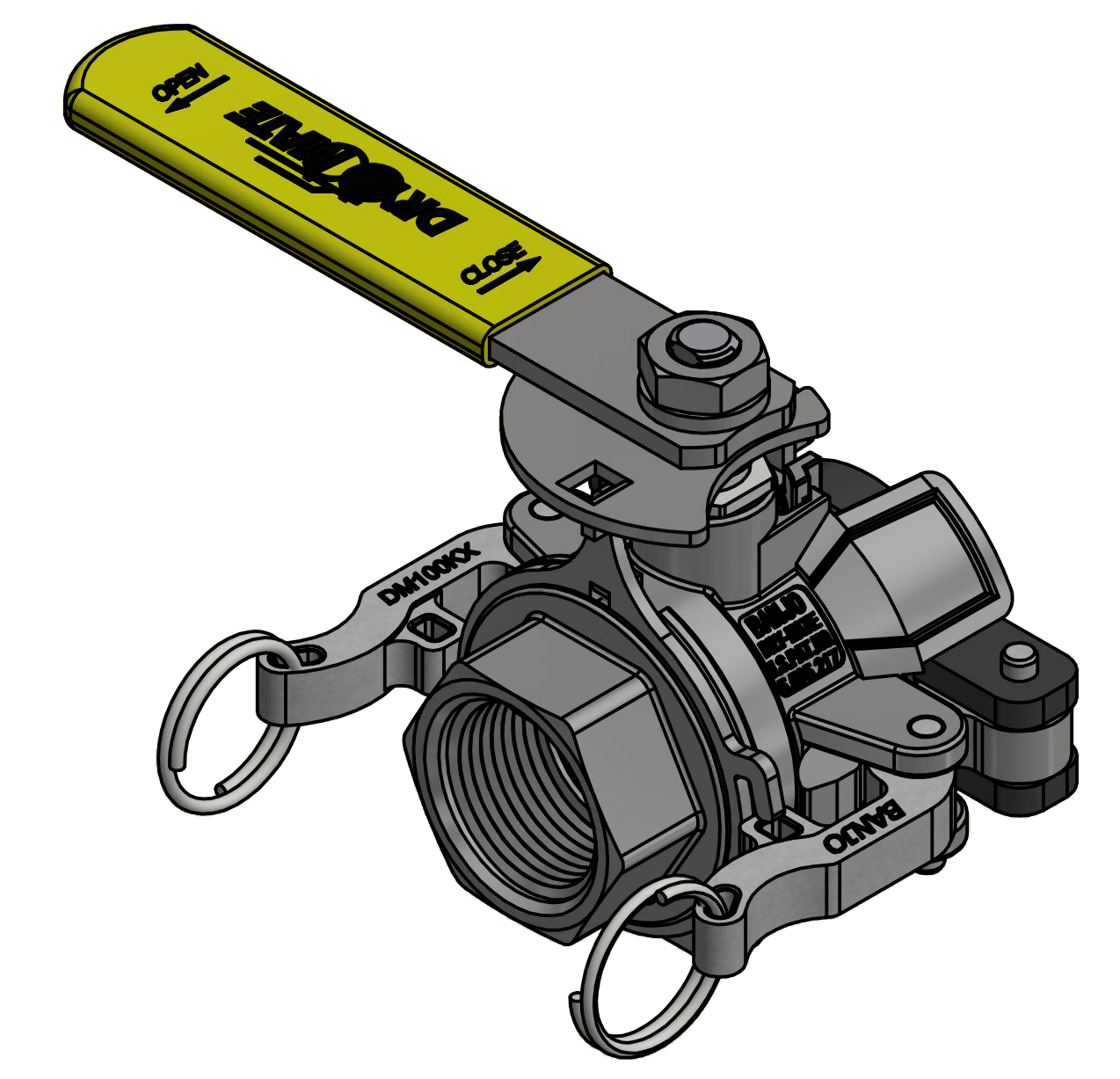
Part Number : DM100DSS



Item	Part No.	Description	Qty.
1	DM10256BSS	1" BSP End Plate	1
2	DM10289SS	Locking Yoke	1
3	VSS10204*	Body Gasket	1
4	VSS10258*	Seat	1
5	VSS10255*	Ball	1
6	DM10258*	Seat	1
7	DM10294	FKM (viton type) Face Seal	1
8	DM10254FSS	Body	1
10	VSS10159	Gland Nut	1
11	DM10154SS	Interlock Cam	1
12	DM10153FSS	Female Handle	4
13	VSS10021	7/16" Lock Washer	4
14	VSS10020	7/16" - 20 Jam Nut	4
15	DM10281	Spring	1
16	DM10288SS	Handle Interlock	1
17	DM10151SS	Stem	1
18	VSS10060*	Thrust Bearing	1
19	100P	Pin	2
20	DM100K	Cam Arm	2
21	100RING	Cam Arm Ring	2



Parts List			
ITEM	QTY	PART NUMBER	DESCRIPTION
1	2	100P	PIN
2	2	DM100K	1" DRYMATE CAM ARM
3	1	DM100PL	1" DRYMATE DUST PLUG
4	1	DM10151SS	1" Dry Mate Stem
5	1	DM10153FSS	DM100SS INTERLOCK CAM, FEMALE
6	1	DM10154SS	DM100SS INTERLOCK CAM, FEMALE
7	1	DM10254FSS	1" SS Female Dry Mate Body
8	1	DM10256SS	1" DRYMATE ENDPLATE
9	1	DM10258	1" Drymate Teflon Seat
10	2	DM10281	SS Spring
11	1	DM10288SS	1" DRYMAT HANDLE INTERLOCK BUTTON
12	1	DM10289SS	1" DRYMATE LOCKING YOKE
13	1	DM10294A	1" Drymate Seal
14	1	V20207A	Polyurethane Lanyard
15	1	VSS10020	7/16" - 20 18-8SS Jam Nut
16	1	VSS10021	7/16" Lockwasher
17	1	VSS10060	1" SS Thrust Washer
18	1	VSS10159	1" SS Gland Nut
19	1	VSS10160F	Female Stem Packing
20	1	VSS10160M	Male Stem Packing
21	1	VSS10204	1" SS Body Gasket
22	1	VSS10255	1" SS Ball
23	1	VSS10258	1" SS Valve Seat



THIS DRAWING AND ALL INFORMATION CONTAINED THEREON ARE THE EXCLUSIVE PROPERTY OF BANJO CORPORATION.

UNLESS SPECIFICALLY NOTED, THIS DRAWING AND ITEMS SHOWN ON THIS DRAWING ARE SUBJECT TO CHANGE AT ANY TIME.

BANJO CORPORATION
 150 BANJO DRIVE, CRAWFORDSVILLE, IN 47933
 WEB SITE: WWW.BANJO.CORP.COM
 E-MAIL: BANJOSALES@IDEXCORP.COM

DESCRIPTION
 1" FMLE DRYMATE W/ 1" NPT FPT FKM, SS

PART NUMBER
 DM100DSS