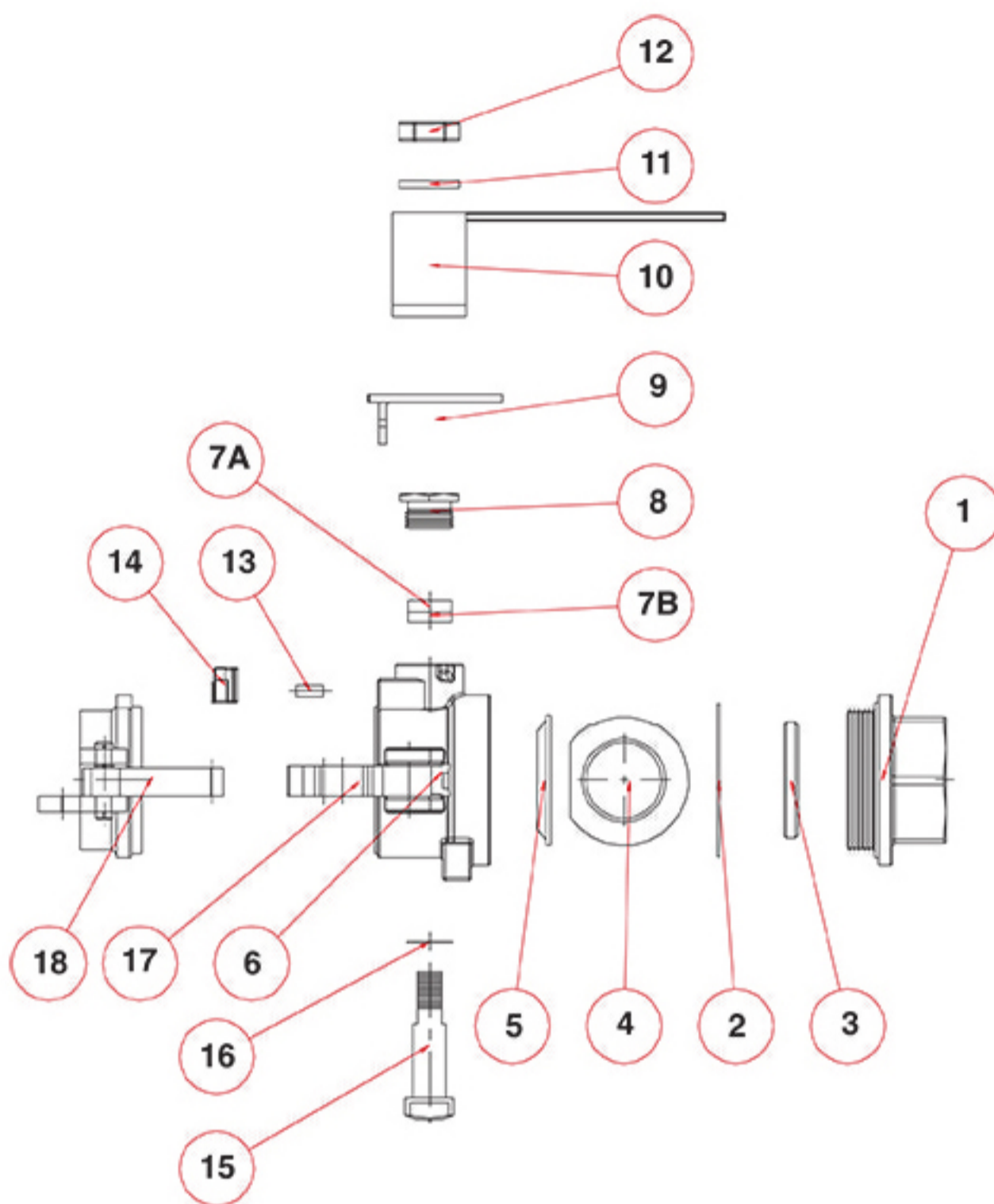


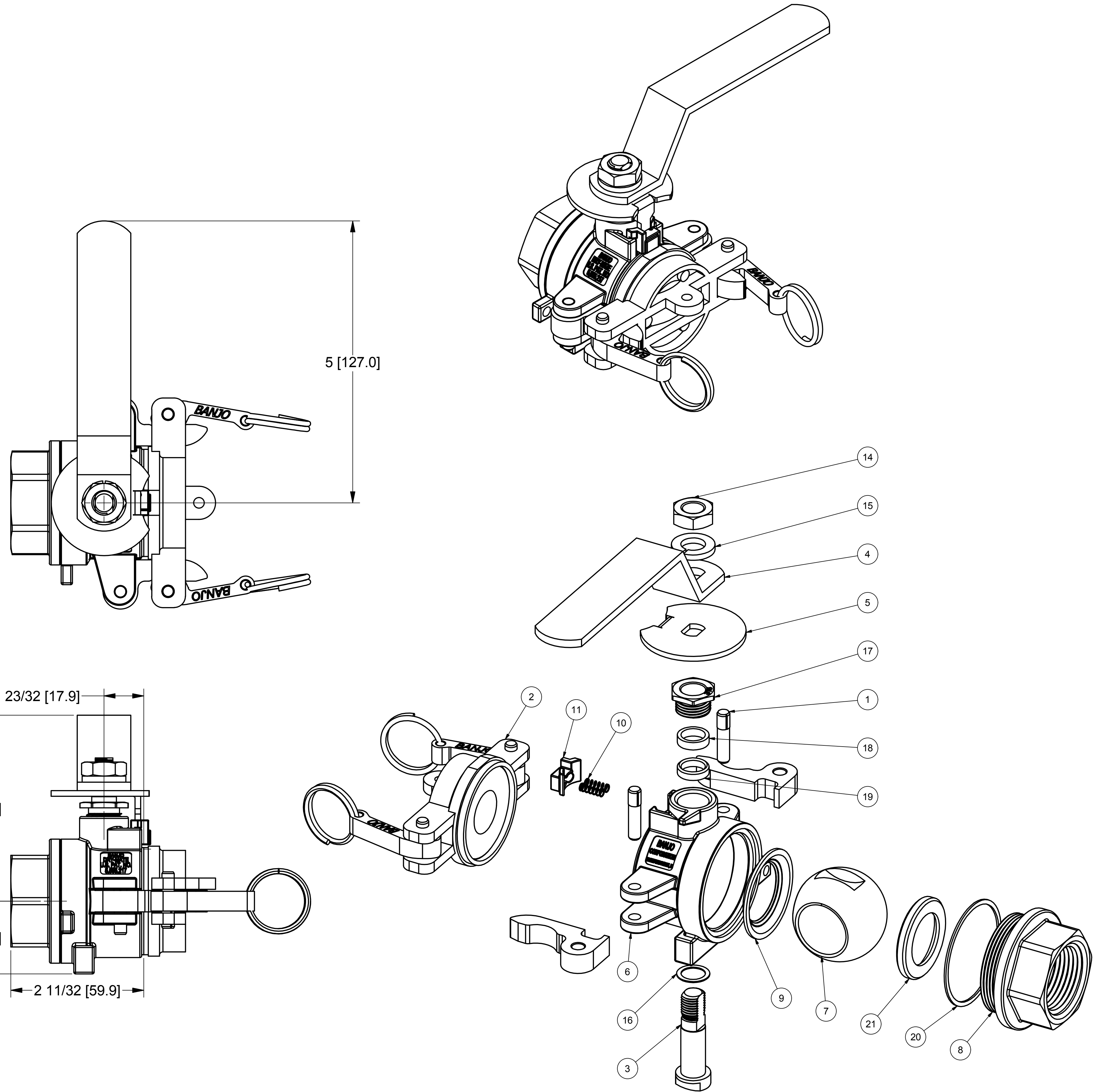
Part Number : DM100ASS



Item	Part No.	Description	Qty.
1	DM10257SS	1" NPT End Plate	1
2	VSS10204*	Body Gasket	1
3	VSS10258*	Seat	1
4	DM10255SS*	Ball	1
5	DM10258*	Seat	1
6	DM10254MSS	Body	1
7A	VSS10160F*	Stem Packing	1
7B	VSS10160M*	Stem Packing	1
8	VSS10159	Gland Nut	1
9	DM10155SS	Interlock Cam	1
10	DM10153MSS	Male Handle	1
11	VSS10021	7/16" Lock Washer	1
12	VSS10020	7/16" - 20 Jam Nut	1
13	DM10281	Spring	1
14	DM10288SS	Handle Interlock	1
15	DM10151SS	Stem	1
16	VSS10060*	Thrust Bearing	1
17	DM10300	Profile Insert	2
18	100P	Pin	2
N/S	DM100CAP	Poly Cap	1
N/S	V20207	Lanyard	1
N/S	DM101SS	Repair Kit	1

8 7 6 5 4 3 2 1

Parts List			
ITEM	QTY	PART NUMBER	DESCRIPTION
1	2	100P	PIN
2	1	DM100CAP	1" Dry Mate Dust Cap
3	1	DM10151SS	1" Dry Mate Stem
4	1	DM10153MSS	1" Dry Mate Male Handle
5	1	DM10155SS	DM100SS INTERLOCK CAM, MALE
6	1	DM10254MSS	1" SS MALE DRY MATE BODY
7	1	DM10255SS	1" DRY MATE BALL
8	1	DM10257SS	1" DRYMATE MALE ENDPLATE
9	1	DM10258	1" Drymate Teflon Seat
10	2	DM10281	SS Spring
11	1	DM10288SS	1" DRYMAT HANDLE INTERLOCK BUTTON
12	2	DM10300	1" DRYMATE PROFILE INSERT
13	1	V20207A	Polyurethane Lanyard (Not Shown)
14	1	VSS10020	7/16" - 20 18-8SS Jam Nut
15	1	VSS10021	7/16" Lockwasher
16	1	VSS10060	1" SS Thrust Washer
17	1	VSS10159	1" SS Gland Nut
18	1	VSS10160F	Female Stem Packing
19	1	VSS10160M	Male Stem Packing
20	1	VSS10204	1" SS Body Gasket
21	1	VSS10258	1" SS Valve Seat



THIS DRAWING AND ALL INFORMATION CONTAINED THEREON ARE THE EXCLUSIVE PROPERTY OF BANJO CORPORATION.

UNLESS SPECIFICALLY NOTED, THIS DRAWING AND ITEMS SHOWN ON THIS DRAWING ARE SUBJECT TO CHANGE AT ANY TIME.

BANJO CORPORATION
 150 BANJO DRIVE, CRAWFORDSVILLE, IN 47933
 WEB SITE: WWW.BANJO.CORP.COM
 E-MAIL: BANJOSALES@DEXCORP.COM

DESCRIPTION
 1" 316SS Male Drymate, 1" FNPT

PART NUMBER
 DM100ASS

8 7 6 5 4 3 2 1